

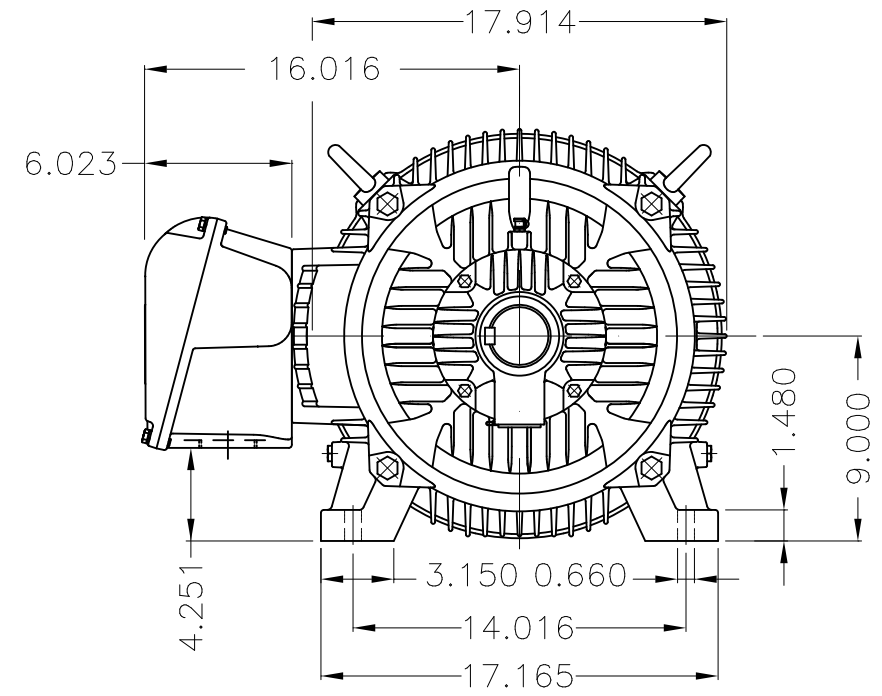
Dimensões em polegada
Dimensions in inches

THIS IS AN UPDATED REVISION, THE
PREVIOUS ONE MUST BE DISREGARDED.

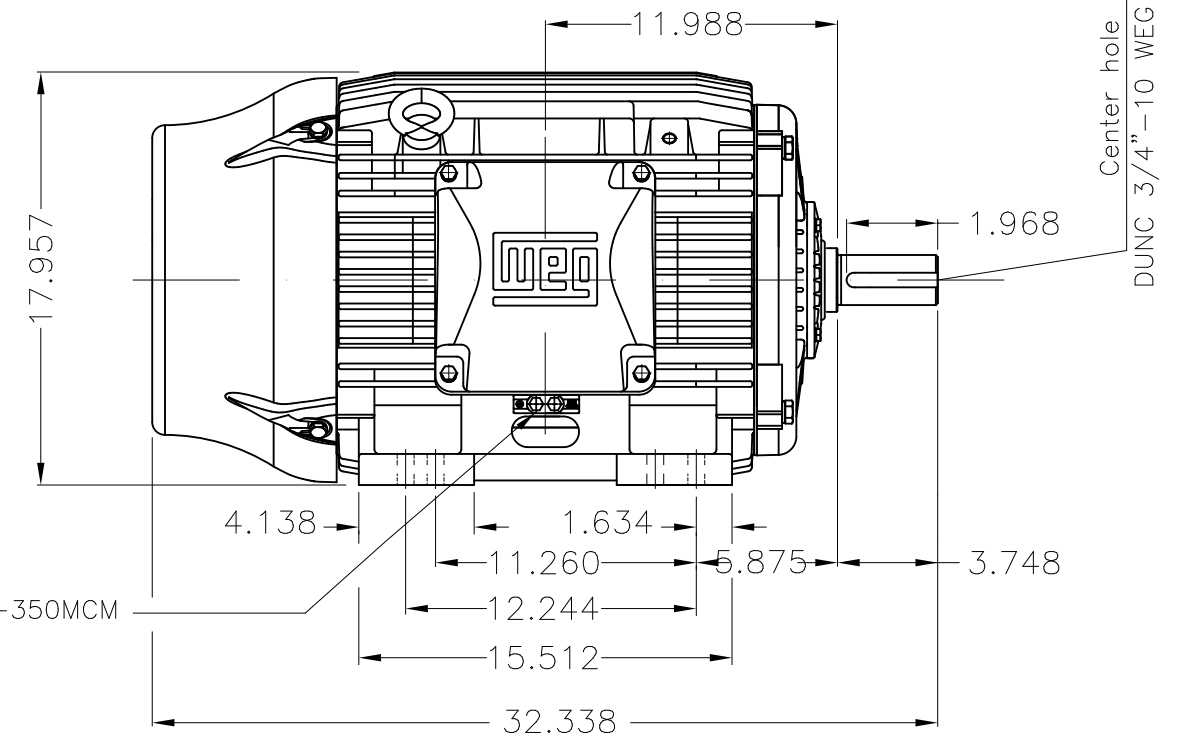


Grounding for leads 25–50 mm² / 3–1 AWG

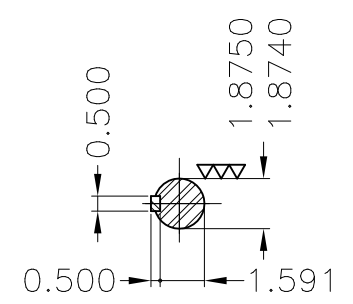
Main terminal box



Grounding for leads 25–185 mm² / 3AWG–350MCM



Center hole
DUNC 3/4"–10 WEG TBG12



DE Shaft End

Type test without inspector – 1 motor/lot
Color RAL 5009
Painting plan 203A
Mounting B3R(D)

ECM	LOC	SUMMARY OF MODIFICATIONS			EXECUTED	CHECKED	RELEASED	DATE	VER
EXECUTED	USERADMIN		THREE PHASE W22 MOTOR - HIGH EFF						
CHECKED			FRAME 364/5TS IP55 TEFC						
RELEASED			WEG code: 12239622						
REL DT	24.07.2017	WMO	Jaragua do Sul	Product Engineering	SHEET	1 / 1			

60 HP 02 Poles 50 Hz

