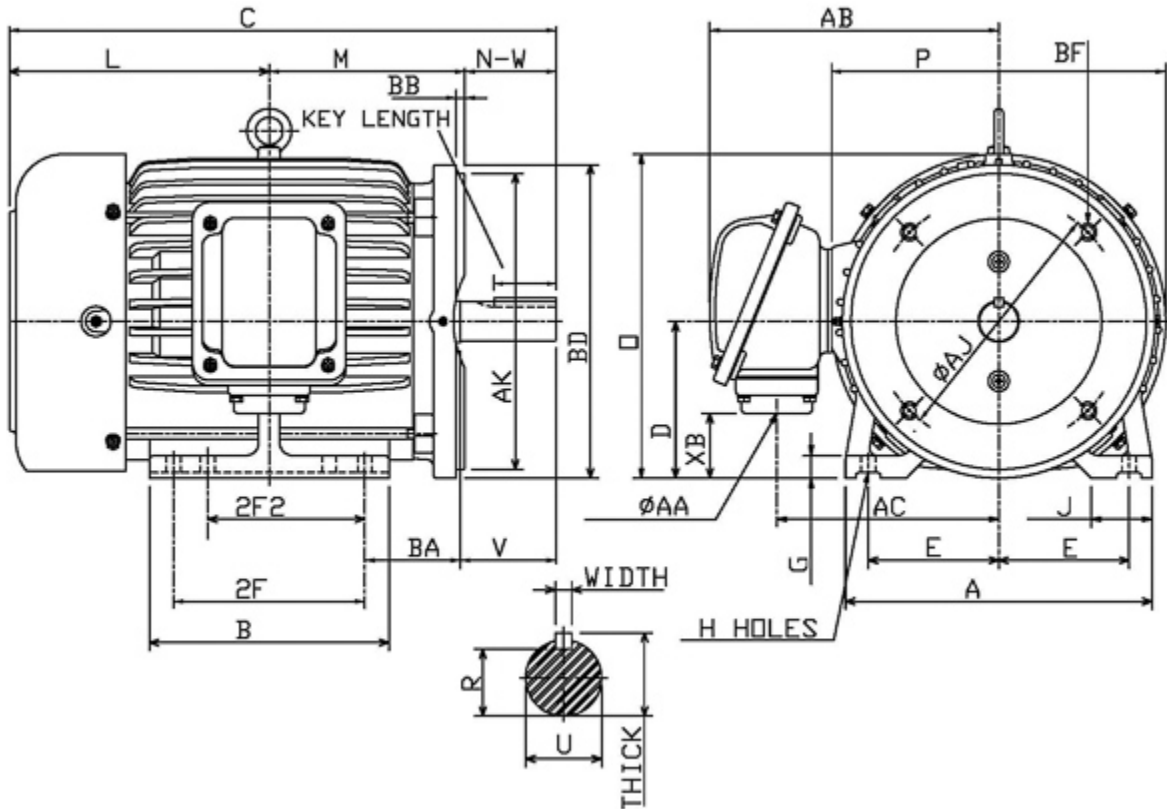


### Dimensional Drawing

| Catalogue | Model  | HP | Pole | kW  | Rating     | Voltage | Hz | RPM  |
|-----------|--------|----|------|-----|------------|---------|----|------|
| PDH00265C | AEHH8N | 2  | 6    | 1.5 | Continuous | 575 V   | 60 | 1200 |



| Frame Size       | Mounting |      |          |        |                       | A              | B             | C     | CD                              | D          |              |
|------------------|----------|------|----------|--------|-----------------------|----------------|---------------|-------|---------------------------------|------------|--------------|
|                  | E        | 2F   | 2F2      | H      | BA                    |                |               |       |                                 |            |              |
| 184TC            | 3.75     | 5.5  | 4.5      | 0.41   | 2.75                  | 8.8            | 6.9           | 15.73 |                                 | 4.5        |              |
| G                | J        | K    | L        | M      | O                     | P              | T             | Key   |                                 |            | Keyseat<br>R |
|                  |          |      |          |        |                       |                |               | Width | Thick                           | Length     |              |
| 0.65             | 1.75     |      | 7.48     | 5.37   | 9.31                  | 9.61           | 1.19          | 0.25  | 0.25                            | 1.78       | 0.986        |
| Terminal Housing |          |      | Aux Box  |        |                       | C/D Flange     |               |       |                                 |            |              |
| AA               | AB       | AC   | XB       | AE     | AX                    | BB             | AH            | AK    | BD                              | AJ         | BF           |
| 3/4 NPT          | 8.31     | 6.38 | 1.86     |        |                       | 0.25           | 2.62          | 8.5   | 9                               | 7.25       | 1/2-13UNC    |
| Shaft Extension  |          |      | Bearings |        | Approx.<br>Weight Lbs | SPL<br>dBA/3ft | Ins.<br>Class | S.F.  | Drive Method                    | Dimensions |              |
| N-W              | U        | V    | DE       | NDE    |                       |                |               |       |                                 |            |              |
| 2.75             | 1.125    | 2.7  | 6306ZZ   | 6306ZZ | 108                   | 53             | F             | 1.15  | Direct Coupling<br>/ Belt Drive | Inches     |              |

### Technical Data Sheet

Motor Type: AEHH8N

Catalogue No: PDH00265C

#### Nameplate Information

|           |            |                |             |             |              |                |
|-----------|------------|----------------|-------------|-------------|--------------|----------------|
| HP        | Pole       | RPM            | Frame       | Voltage     | Hz           | Phase          |
| 2         | 6          | 1170           | 184TC       | 575         | 60           | 3              |
| Enclosure | Ins. Class | Service Factor | Time Rating | NEMA Design | Rated Amb.   | Rated Altitude |
| TEFC      | F          | 1.15           | Continuous  | B           | -40 to 40 °C | <3300 ft       |

#### Typical Performance

| Efficiency (%)    |                             |                                 |                                      | Power Factor (%)    |           |                                |
|-------------------|-----------------------------|---------------------------------|--------------------------------------|---------------------|-----------|--------------------------------|
| Full Load         |                             | 3/4 Load                        | 1/2 Load                             | Full Load           | 3/4 Load  | 1/2 Load                       |
| Nom.              | Min.                        |                                 |                                      |                     |           |                                |
| 88.5              | 86.5                        | 88.5                            | 86.5                                 | 70.5                | 63.0      | 50.5                           |
| Torque            |                             |                                 |                                      | Current (A)         |           |                                |
| Full Load (lb-ft) | Locked Rotor (% FLT)        | Pull Up (% FLT)                 | Break Down (% FLT)                   | No Load             | Full Load | Locked Rotor                   |
| 8.98              | 180                         | 150                             | 270                                  | 1.4                 | 2.4       | 20                             |
| NEMA KVA Code     | Inertia (WR <sup>2</sup> )  |                                 |                                      | Safe Stall Time (s) |           | Noise Level Sound Press. dB(A) |
|                   | Rotor (lb-ft <sup>2</sup> ) | NEMA Load (lb-ft <sup>2</sup> ) | Max. Allowable (lb-ft <sup>2</sup> ) | Cold                | Hot       |                                |
| L                 | 0.423                       | 30.0                            | 219.0                                | 95                  | 67        | 53                             |

#### VFD Duty Information

| Speed Range     |                 |                | VFD     |              | S.F. |
|-----------------|-----------------|----------------|---------|--------------|------|
| Constant Torque | Variable Torque | Constant Power | Carrier | Type         |      |
| 6-60Hz          | 3-60Hz          | 60-120Hz       | ≤ 5 kHz | VPWM or CPWM |      |

#### Additional Information

| Bearings |        | Approx. Weight |
|----------|--------|----------------|
| DE       | NDE    | lbs            |
| 6306ZZ   | 6306ZZ | 108            |

#### Hazardous Locations Information

| CSA Certified  |           |
|--|-----------|
| Class I, Div 2, Groups B, C & D<br>Class I, Zone 2, Groups IIB+H2, IIB & IIA |           |
| Temp Code (Sinewave / VFD)   | T3C / T3C |