

DATE
APRIL 26, 2004
CATALOG NO.
HH7/52

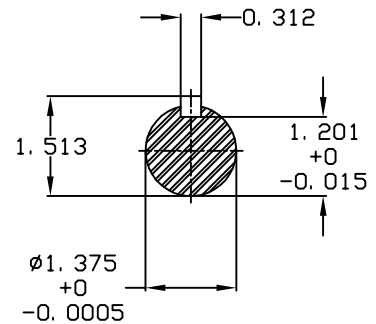
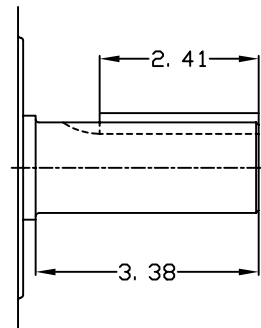
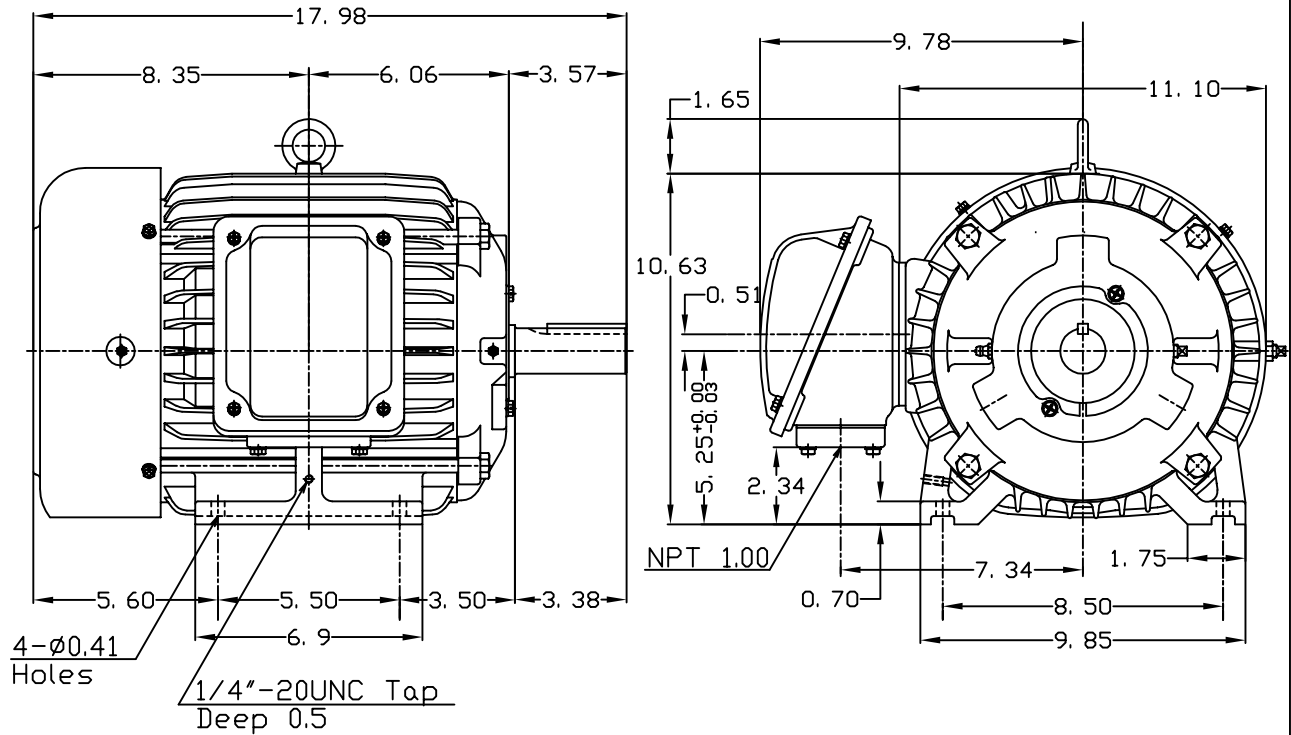
OUTLINE DIMENSIONS
3-PHASE INDUCTION MOTOR

MOTOR TYPE:
AEHH
FRAME NO. 213T

| Pole | HP | KW | Hz | VOLT | Syn.Speed RPM |
|------|-----|-----|----|------|------------------|
| 2 | 7.5 | 5.6 | 60 | 460 | 3600 |

| Ins | Rating | Dimension in | Approx Weight | Bearings |
|-----|--------|--------------|---------------|------------------------------|
| F | CONT. | inches | 167 lbs. | DE: 6308ZC35C NDE: 6306ZC35C |

Totally Enclosed Fan-Cooled Type.Squirrel-Cage Rotor.



| | | |
|-------|-----|----------|
| DWN. | 胡峰誠 | 11·12·98 |
| CHKD. | 羅清水 | 11·23·98 |
| APPD. | 黃友伯 | 11·23·98 |

TEC   Westinghouse

DWG NO.
31049M893001