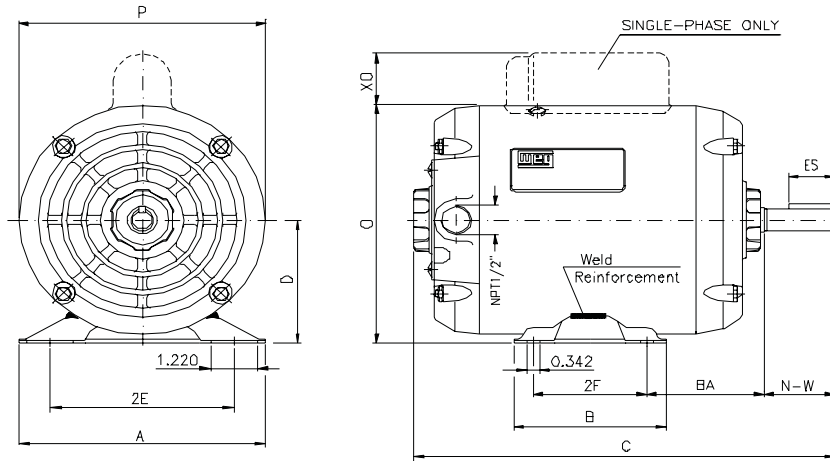


Compressor Duty Motors

ODP - Mechanical Data



NEMA FRAMES	MOUNTING			A	B	C	D	O	P	X0	KEYWAY			SHAFT EXTENSION		BEARINGS	
	2E	2F	BA								S	R	ES	N-W	U	D.E.	N.D.E.
C56	4.875	3.000	2.750	6.535	4.015	10.551	3.500	6.378	5.748	1.516	0.187	0.517	1.102	1.874	0.625	6203-ZZ	6202-ZZ
A56						10.315											
B56						11.102											
D56		12.283															
F56H		3.000			6.496	13.464		1.300	6204-ZZ	6203-ZZ							
G56H	5000*	13.858															

"C" FLANGE DIMENSIONS						
NEMA FRAMES	AJ	AK	BD	BF		AH
				NUMBER	TAP SIZE	
FC-95	3.748	3.000	5.629	4	UNC0.25"	1.689
FC-149	5.874	4.500	6.496		UNC3/8"	2.063

