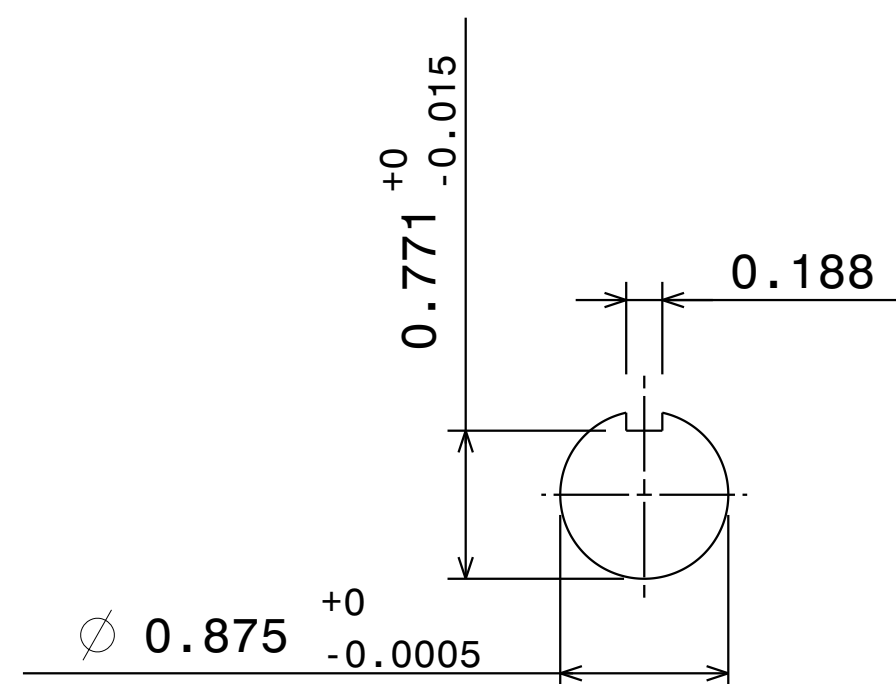
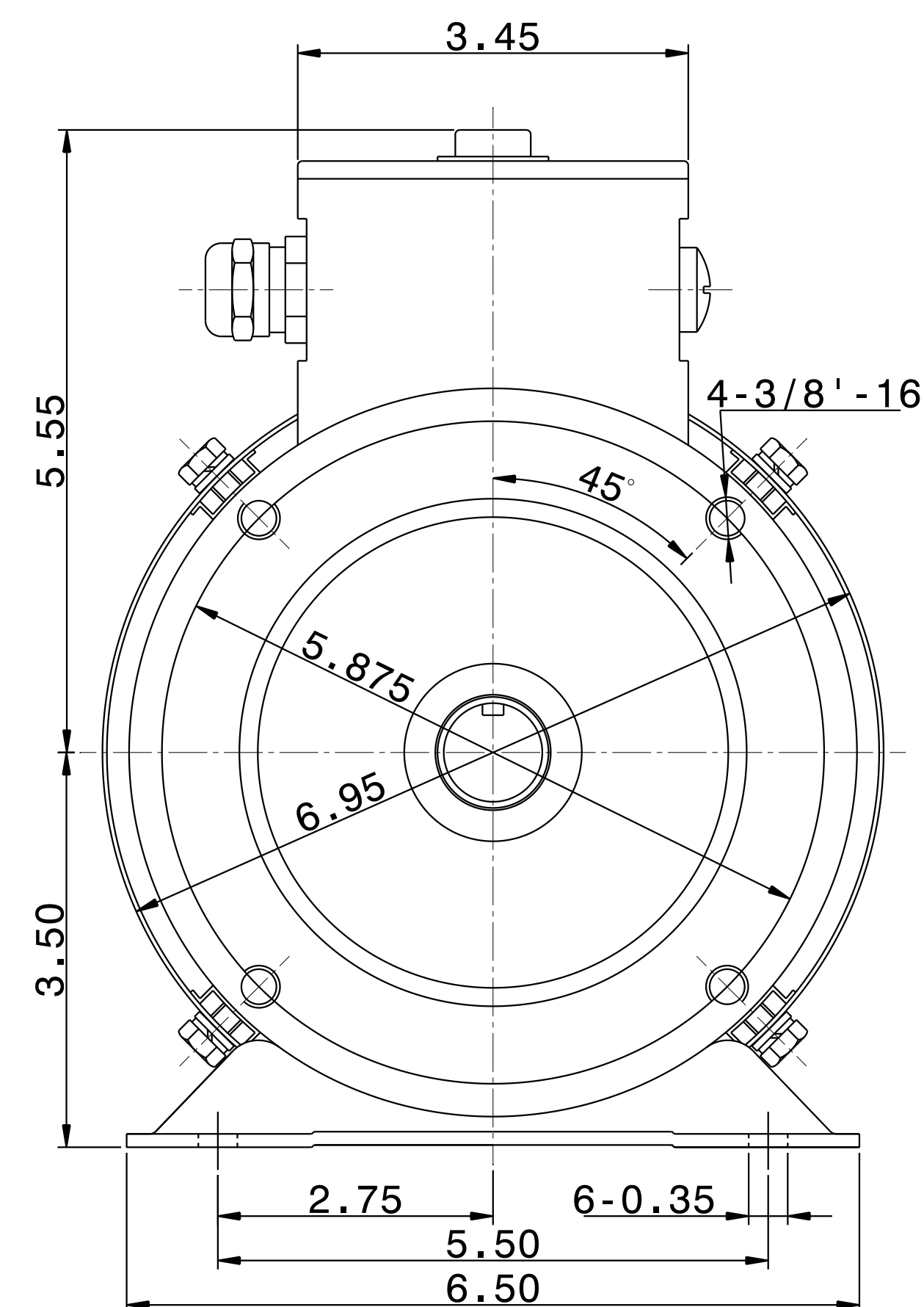
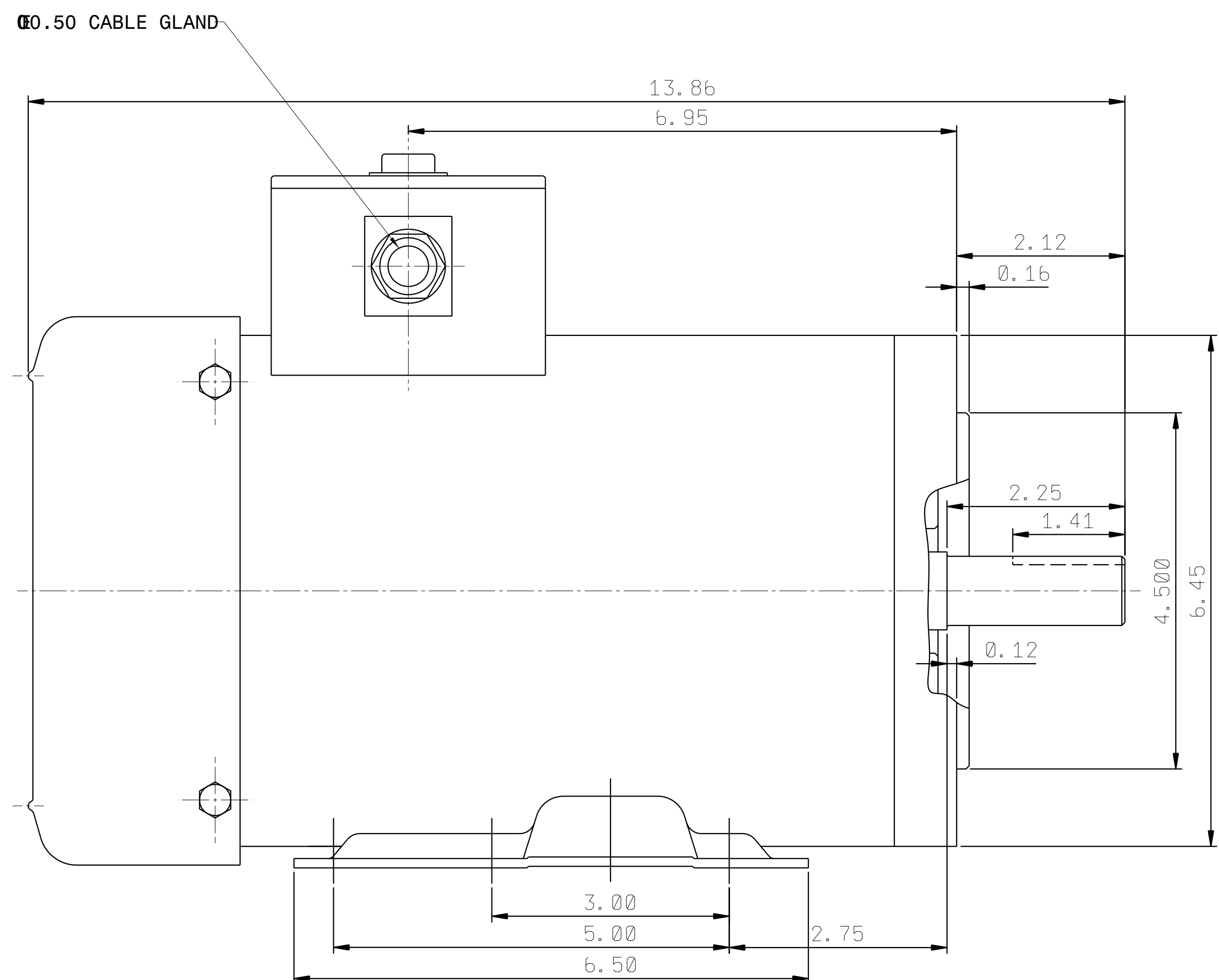


| CATALOG # | TYPE | FRAME | OUTPUT | | POLE | SYN. SPEED R.P.M. | VOLTAGE V. | Hz. | TIME RATING | INSULATION CLASS | SERVICE FACTOR | WEIGHT LBS |
|-----------|------|-------|--------|------|------|-------------------|------------|-----|-------------|------------------|----------------|------------|
| | | | HP | KW | | | | | | | | |
| WP1/54C | AEGP | 145TC | 1.5 | 1.12 | 4 | 1800 | 230/460 | 60 | CONT. | F | 1.15 | 42 LBS. |

TOTALLY ENCLOSED FAN-COOLED TYPE. SQUIRREL CAGE MOTOR



- NOTES: 1. DIMENSIONS IN INCH.
 2. ENCLOSURE: IP56.
 3. FOR DIRECT FLEXIBLE COUPLING.
 4. STAINLESS STEEL CONSTRUCTION.

| | | | |
|---------------------------------|---|-------------------|-------------------------|
| REF: 31049J806230 | REV. DATA | | |
| | TECO Westinghouse | | REV NO 01 |
| | 3-PHASE INDUCTION MOTOR OUTLINE DIMENSIONS | | DWG NO. WP1/54C |
| | DWN T. FELPS | 020713 | APPD S. GROHOSKY 020713 |
| TECO-WESTINGHOUSE MOTOR COMPANY | | ROUND ROCK, TEXAS | USA |