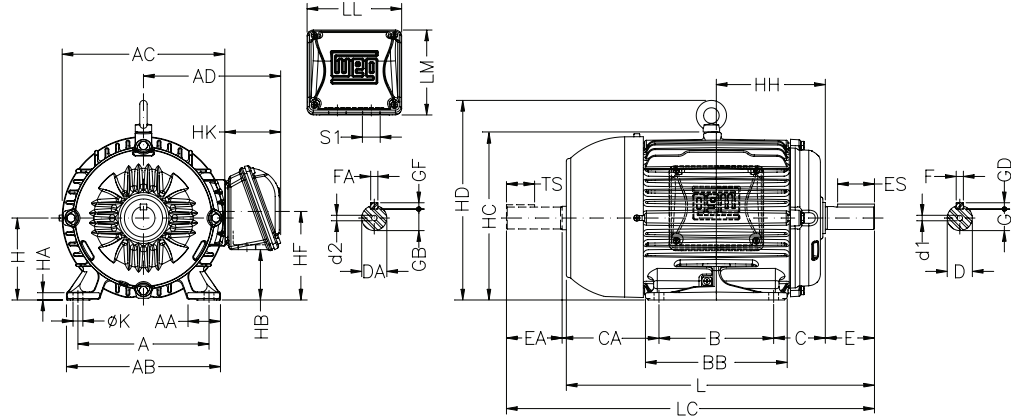


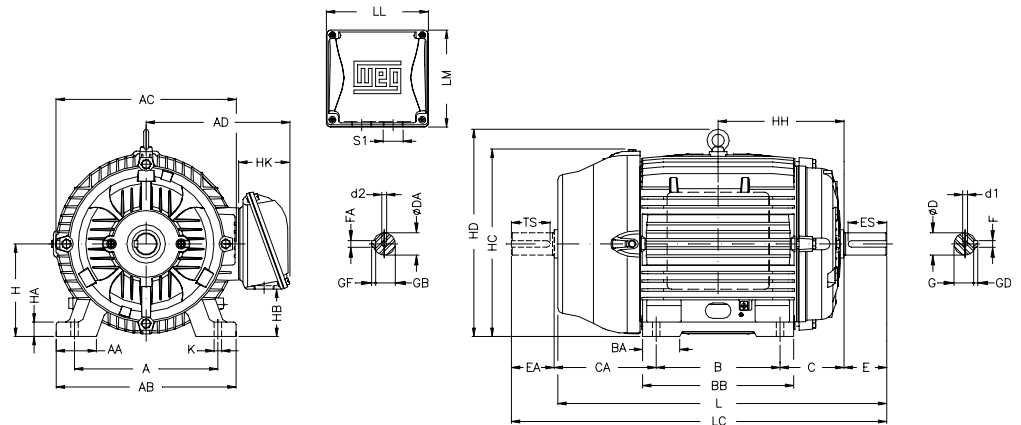
W22 IEC Tru-Metric - NEMA Premium Efficiency

TEFC - Mechanical Data

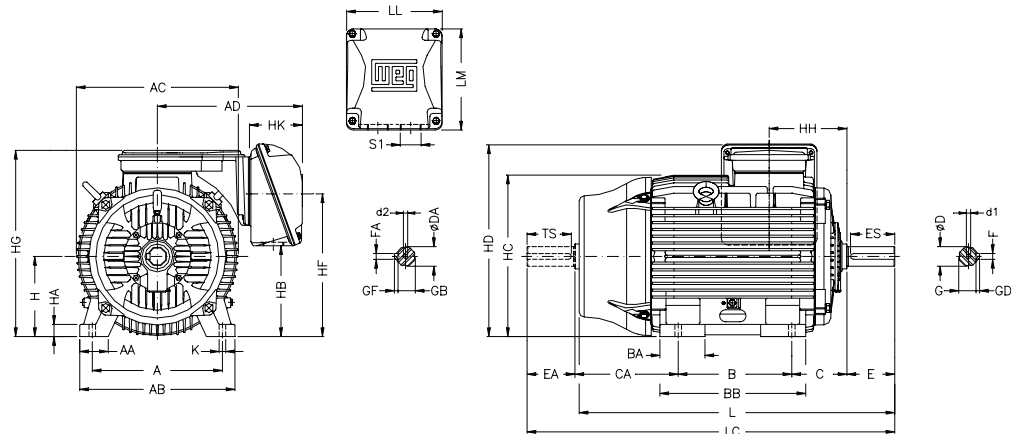
Frames 63 to 112



Frames 132 to 200



Frames 225 to 355 M/L



W22 IEC Tru-Metric - NEMA Premium Efficiency

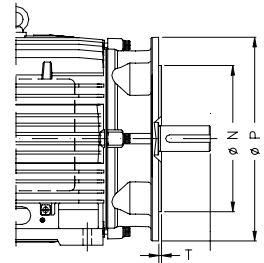
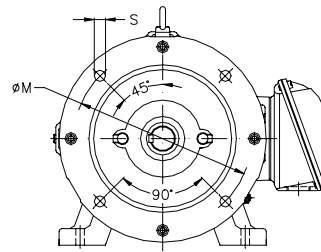
TEFC - Mechanical Data

IEC FRAME	A	AA	AB	AC	AD	B	BA	BB	C	CA	SHAFT END											
											D	DA	E	EA	ES	F	FA	G	GB	GD	GF	TS
63	100	25.5	116	125	123	80		95	40	78	11j6	9j6	23	20	14	4	3	8.5	7.2	4	3	12
71	112	28.5	132	141	131	90		113.5	45	88	14j6	11j6	30	23	18	5	4	11	8.5	5	4	14
80	125	30.5	149	159	140	100		125.5	50	93	19j6	14j6	40	30	28	6		15.5	11	6		18
90L	140	36.5	164	179	159	125	-	156	56	104	24j6	16j6	50	40	36	5	20	13	7	5	28	
90S						100																
100L	160	40	188	199	169	140	-	173	63	118	28j6	22j6	60	50	45	8	6	24	18.5	7	6	36
L100L						140																
112M	190	40.5	220	222	192	140	-	177	70	128	28j6	24j6	60	50	45	8	6	24	20	7	6	36
132S						178																
132M	216	45	248	272	220	178	55	187	89	150	38k6	28j6	80	60	63	10	8	33	24	8	7	45
160M						210																
160L	254	64	308	329	266	254	63	254	108	174	42k6	42k6	110	110	80	12	12	37	37	8	8	80
180M						241																
180L	279	78	350	360	281	279	70	332	121	200	48k6	48k6	110	110	80	14	14	42.5	42.5	9	9	80
200L						241																
200L	318	82	385	402	319	305	82	370	133	222	55m6	48k6	110	110	80	14	14	42.5	42.5	9	9	80
225S/M	356	80	436	455	410	286/311	124	412	149	319/294	60m6	48k6										
250S/M	406	100	506	486	410	311/349	146	467	168	354/316	65m6	60m6	140	140	125	18	18	53	53	11	11	125
280S/M	457		557	599	445	368/419	151	517	190	385/334	75m6	60m6										
315S/M	508	120	630	657	589	525	508	406/457	184	621	494/443	65m6	170	170	160	22	22	71	58	14	14	160
315L						589		508	219	752	216	502										
355M/L	610	140	750	736	609	560/630	230	760	254	483/413	100m6	80m6	210	170	200	28	22	90	71	16	14	160

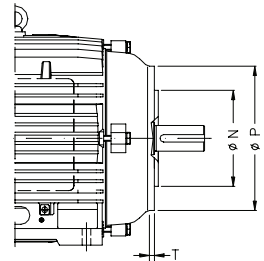
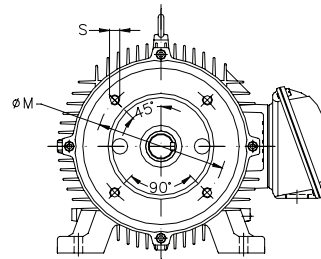
IEC FRAME	H	HA	HC	HD	K	L	LC	S1	d1	d2	BEARINGS	
											D.E.	N.D.E.
63	63		130		7	216	241	2xM20x1.5	EM4	EM3	6201-ZZ	6201-ZZ
71	71	7	145			248	276		DM5	EM4	6202-ZZ	6202-ZZ
80	80	8	163		276	313	DM6		DM4	6204-ZZ	6203-ZZ	
90L	90	9	182		10	329	375	2xM25x1.5	DM8	DM6	6205-ZZ	6204-ZZ
90S						304	350					
100L	376	431										
L100L	100	10	205	244	12	420	475	2xM32x1.5	DM10	DM8	6206-ZZ	6205-ZZ
112M	112		235	280		393	448				DM12	DM10
132S	132	16	274	319	14.5	452	519	2xM40x1.5	DM16	DM16	6308-ZZ	6207-ZZ
132M						490	557					
160M	160	22	331	374	598	712	2xM50x1.5					
160L	180	28	366	413	642	756		DM16	DM16	6311-C3	6211-Z-C3	
180M	180	28	366	413	702	820	2xM63x1.5	DM20	DM20	6312-C3	6212-Z-C3	
200L	200	30	407	464	767	880						2xM63x1.5
225S/M	225	34	453	541	886	1034	2xM63x1.5	DM20	DM20	6314-C3	6214-Z-C3	
250S/M	250	43	493	583	965	1113						2xM63x1.5
280S/M	280	42	580	700	1071	1223	2xM63x1.5	DM20	DM20	6316-C3	6216-Z-C3	
315S/M	315	48	644	768	1274	1426						2xM63x1.5
315L					774	1383	1536					
355M/L	355	50	723	898	1482	1677	DM24	DM24	DM24	6322-C3	6319-C3	

W22 IEC Tru-Metric - NEMA Premium Efficiency TEFC - Mechanical Data

Flange "FF" Dimensions								
IEC FRAME	FLANGE	M	N	P	S	T	α	N° of holes
63	FF-115	115	95	140	10	3	45°	4
71	FF-130	130	110	160				
80	FF-165	165	130	200	12	3.5		
90								
100	FF-215	215	180	250	15	4		
112								
132	FF-265	265	230	300	19	5		
160	FF-300	300	250	350				
180								
200	FF-350	350	300	400				
225	FF-400	400	350	450	19	5		
250	FF-500	500	450	550				
280								
315	FF-600	600	550	660				
355	FF-740	740	680	800	24	6	22°30'	8



"C-DIN" Flange Dimensions								
IEC FRAME	FLANGE	M	N	P	S	T	α	N° of holes
63	C-90	75	60	90	M5	2.5	45°	4
71	C-105	85	70	105	M6	3		
80	C-120	100	80	120				
90	C-140	115	95	140	M8	3.5		
100	C-160	130	110	160				
112								
132	C-200	165	130	200	M10	6.3		
160	C-250	215	180	249	M12x1.75			



NEMA "C" Flange Dimensions								
IEC FRAME	FLANGE	M	N	P	S	T	α	N° of holes
63	FC-95	95.2	76.2	143	UNC 1/4"x20	4	45°	4
71								
80								
90								
100	FC-149	149.2	114.3	165	UNC 3/8"x16	6.3		
112								
132	FC-184	184.2	215.9	225	UNC 1/2"x13	6.3		
160								
180	FC-228	228.6	266.7	280	UNC 1/2"x13	6.3		
200								
225	FC-279	279.4	317.5	395	UNC 5/8"x11	6.3	22°30'	8
250	FC-355	355.6	406.4	455				
280								
315	FC-368	368.3	419.1	455				
355								

