

DATE
APRIL 26, 2004
CATALOG NO.
HH0012

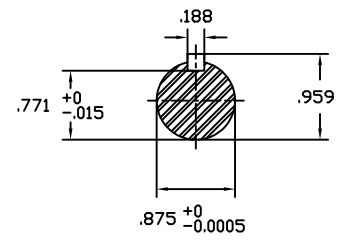
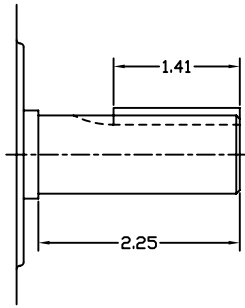
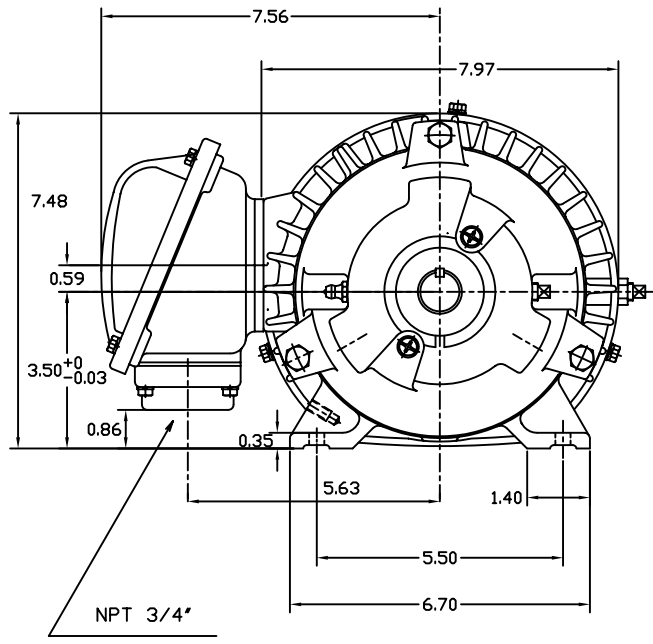
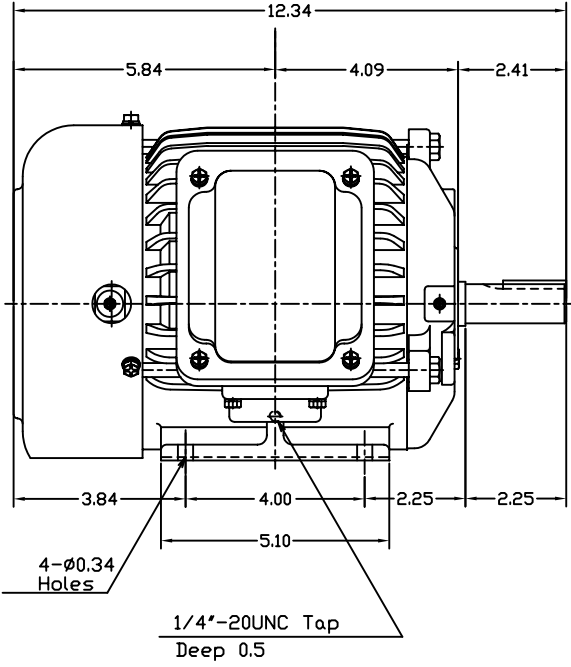
OUTLINE DIMENSIONS
3-PHASE INDUCTION MOTOR

MOTOR TYPE:
AEHH
FRAME NO. 143T

| Pole | HP | KW | Hz | VOLT | Syn.Speed RPM |
|------|----|-----|----|------|------------------|
| 2 | 1 | .75 | 60 | 460 | 3600 |

| Ins | Rating | Dimension in | Approx Weight | Bearings |
|-----|--------|--------------|---------------|-----------------------------|
| F | CONT. | inches | 46 lbs. | DE: 6205ZC35CNDE: 6205ZC35C |

Totally Enclosed Fan-Cooled Type.Squirrel-Cage Rotor.



| | | |
|-------|-----------|------------|
| DWN. | J.H.LIANG | 11 ·12 ·98 |
| CHKD. | C.S.LO | 11 ·23 ·98 |
| APPD. | Y.B.HUANG | 11 ·23 ·98 |



DWG NO.
31049M889000