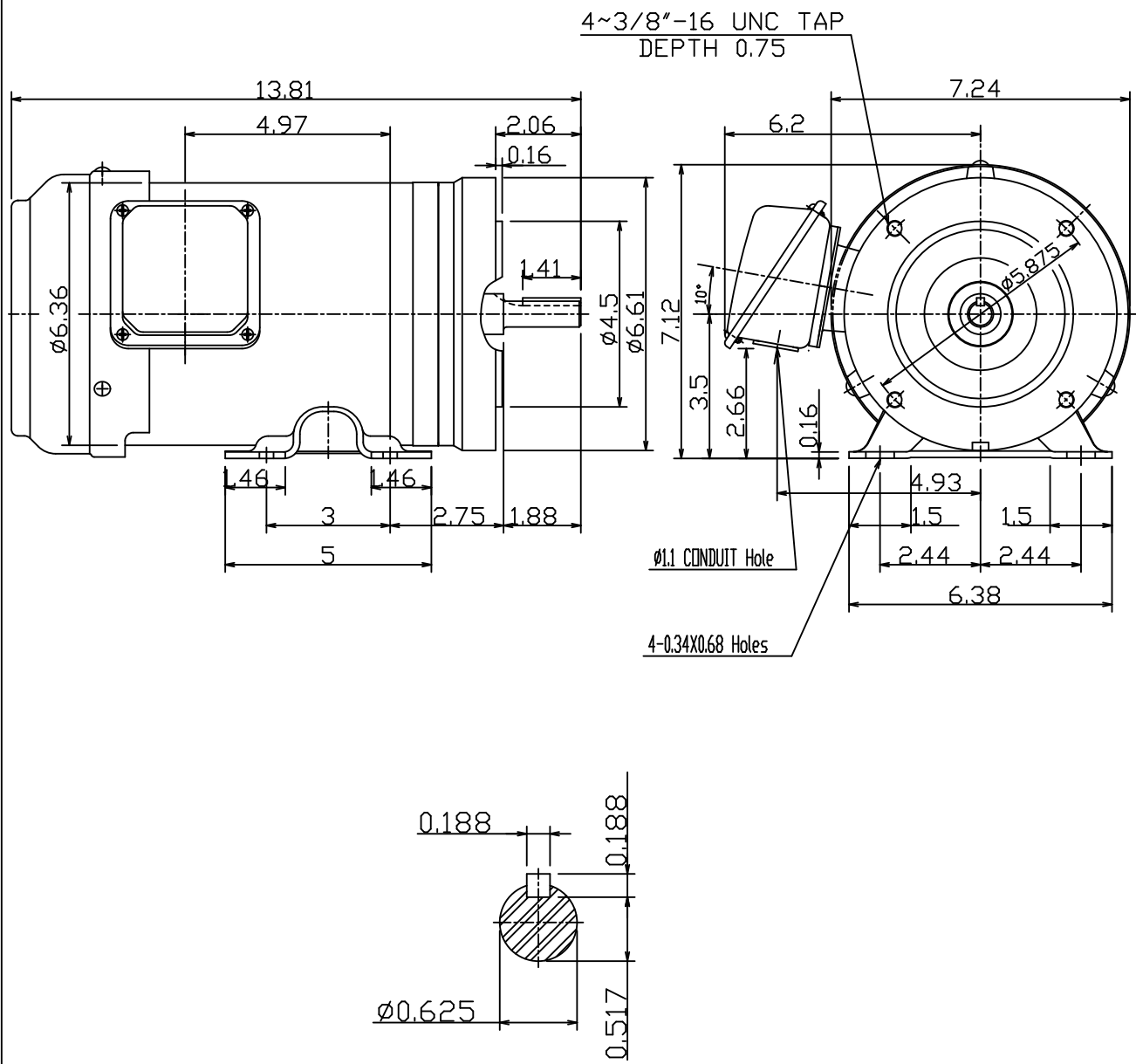


DATE
FEBRUARY 16, 2012
CATALOG #
GH0/34C

OUTLINE DIMENSIONS
3-PHASE INDUCTION MOTOR

MOTOR TYPE:
AEGHCF
FRAME NO. 56C

Pole	HP	kW	Hz	VOLT	r/min
4	.33		60	230/460	1800
Ins	Rating	Dimension in	Approx Weight	Bearings	
F	CONT.	inch.	29	DE: 6205ZZ NDE: 6204ZZ	



DWN.	陳奕元	03-01-11
CHKD.	陳敬元	03-01-11
APPD.	蔡明 [◊]	03-01-11



DWG NO.
31049Z107990