

6

5

4

3

2

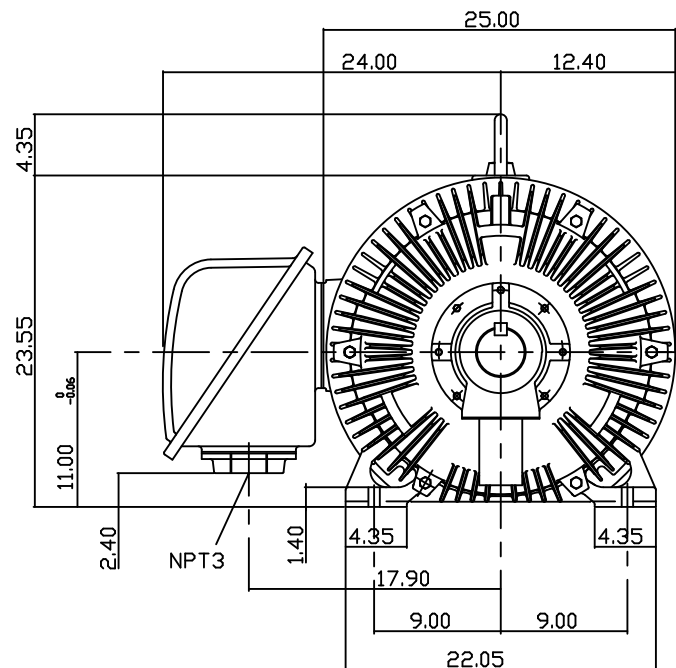
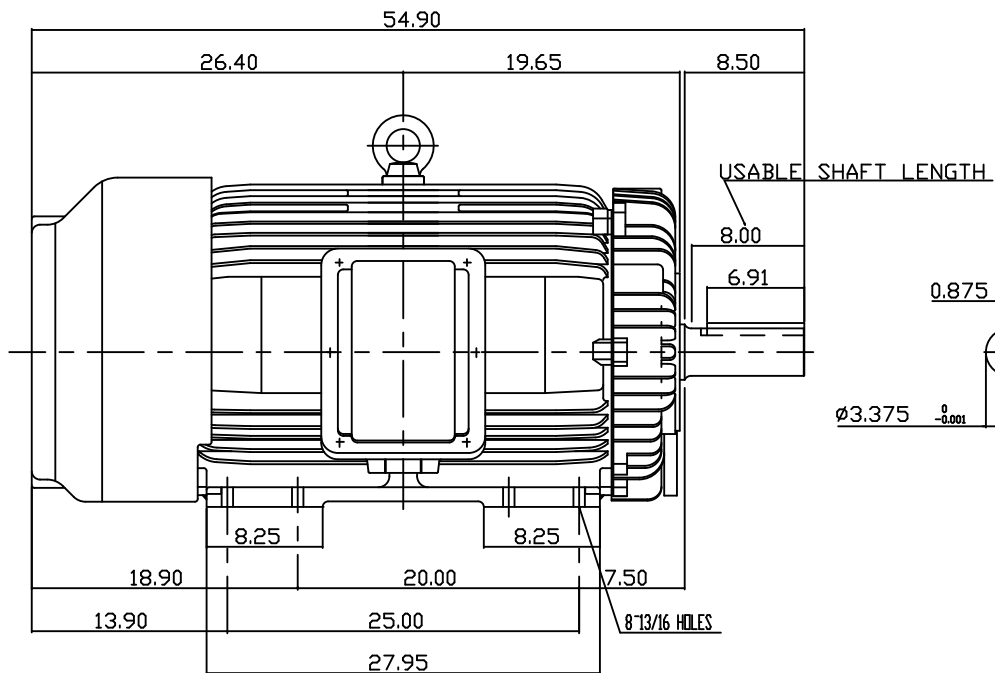
1

TYPE	OUTPUT		POLE	TIME RATING	VOLTAGE V	Hz	SYN.SPEED R.P.M
	HP.	kW.					
AEHH8N	300	223.8	6	CONT.	460	60	1200

TOTALLY ENCLOSED FAN-COOLED TYPE. SQUIRREL-CAGE ROTOR

D

D



C

C

B

B

NOTE:

1. DIMENSIONS IN INCH
2. FRAME NO. 449T
3. F CLASS INSULATION, S.F.1.15
4. FOR DIRECT FLEXIBLE COUPLING
5. ENCLOSURE: IP54
6. BEARING SIZE: DRIVE END: 6320
NON-DRIVE END: 6316
7. APPROX. WEIGHT: 3450 LBS

A

A

TW-56C

DATE 12-17-12		OUTLINE DIMENSIONS	
CATALOG #EP3006		3-PHASE INDUCTION MOTOR	
DWN. J.WANG	JAN 28 2005	TEC Westinghouse	DWG NO. REV: 00
CHKD. H.HUANG	JAN 28 2005		3A040Y647
APPD. C.WANG	JAN 28 2005		

6

5

4

3

2

1