

Product Information Packet

November 7, 2016

Data shown is for the current revision model #. Ensure your nameplate model # matches.

Model Number:	5KS182ATE206A
Catalog Number:	E7714
Instruction Manual:	GEI-M1023
Connection Diagram:	GEM2034E-FIG7
Outline Drawing:	358B6214AA

Accessory Connection Diagrams			
Bearing Thermocouple:	None	Heater:	None
RTD:	None	Thermistor:	None
Thermostat:	None	Winding Thermocouple:	None
Bearing RTD:	None		

Table of Contents	
Specification	01
Performance Characteristics	02
Outline Drawing	03
Connection Drawing(s)	04

Marks:

MODEL NUMBER:	5KS182ATE206A	Estimated Weight:	72 Lbs
Outline Drawing:	358B6214AA	Time Rating:	CONT
Connection Diagram:	GEM2034E-FIG7	Enclosure:	DP
Instruction Book:	GEI-M1023	Encl Construction:	OPEN
Design Code:	18AD1006C	Ambient Max(°C):	40
Type:	KS	Alt Ambient Max(°C):	--
Frame:	182T	Insulation Class:	F
Phases:	3	NEMA Design:	A
Poles:	4	Nominal Efficiency:	89.5 %
Output Power:	3HP 2.2KW	Guaranteed Efficiency:	87.5
RPM:	1755	3/4 Load Efficiency:	90.5
Voltage:	200	KVA Code:	K
Hertz:	60	Max KVAR:	1.1
Amps - FL:	8.9	Power Factor:	80
Service Factor:	1.15	Bearing - DE:	6207ZZ
Alt Service Factor:	--	Bearing - ODE:	6206ZZ

Enclosure is Dripproof

Stamped Nameplate Notes:**Additional Information:**

4 POLE DP
 LRA: 76.6
 NO. OF MOTOR LEADS: 3
 CONDUIT BOX VOLUME (IN³): 30.2
 CONDUIT BOX MTL: STAMPED STEEL
 GREASE TYPE: SHELL ALVANIA R3 LITHIUM GREASE
 50 HZ DATA: 3HP, 200V, 9.6 AMPS @ 1.0 SF, 1460 RPM
 INVERTER DUTY PER NEMA MG-1, PART 31
 FOR VARIABLE TORQUE LOADS
 SOUND POWER: 66.5
 UPDATED: 8/05

Performance Characteristics

1st Winding 1st Connection

Design: 18AD1006C

Marks:

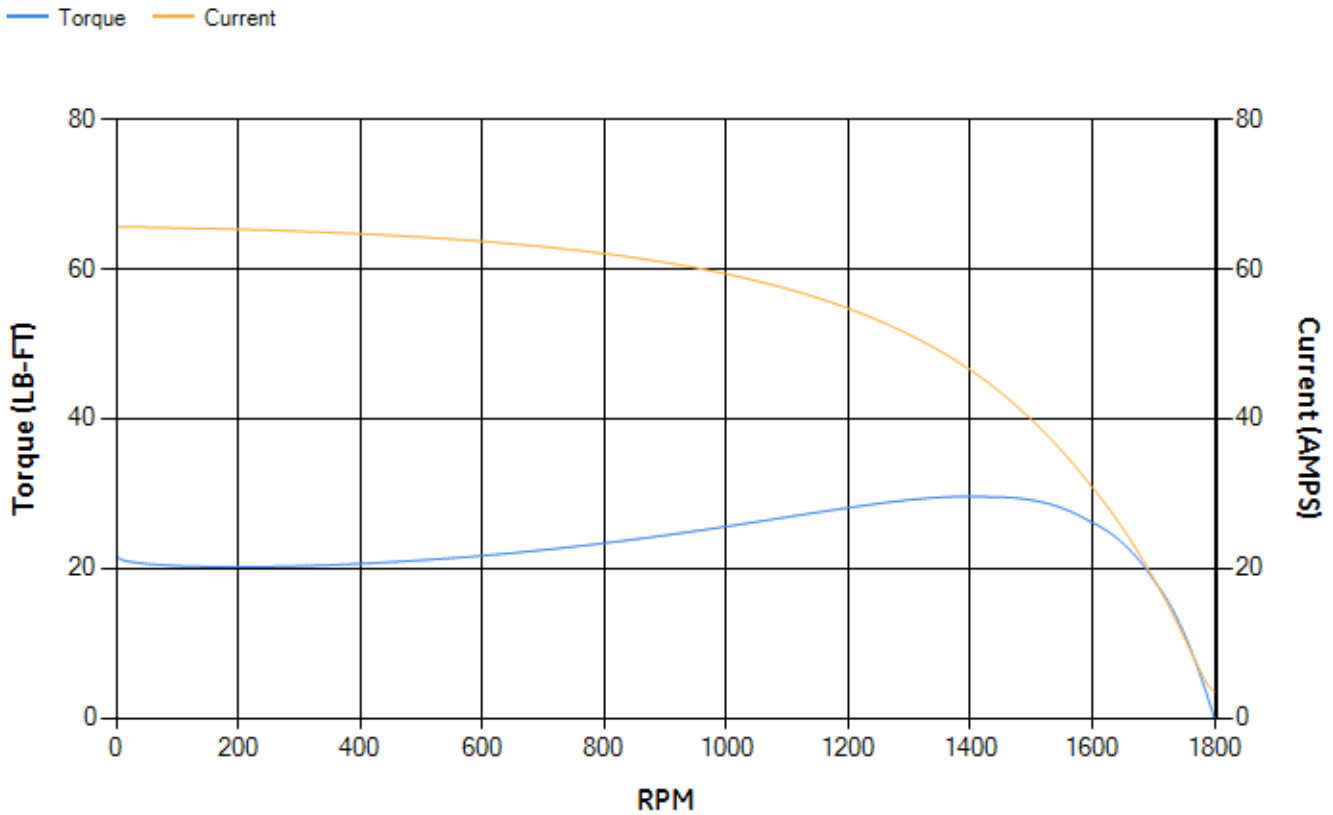
LOAD %	125.0	115.0	100.0	75.0	50.0	25.0	0.0
% EFF	88.71	89.25	90.11	90.49	89.88	85.33	0.00
% PF	83.72	83.05	81.48	76.59	66.34	44.99	6.62
AMPS	10.87	10.02	8.8	6.99	5.41	4.21	3.58

TORQ(FL)#FT	8.97	TORQ(LR)%FL	240.97	TORQ(BD)%FL	325.2
AMPS(LR)	65.63	PF AT START	0.44		

This motor is capable of two cold or one hot start with a maximum connected load inertia of 117 Lb-Ft Sq (4.93 Kg-meter Sq)at 100% voltage, where the load torque varies with the square of the speed. Acceleration time with maximum inertia and the above load type is 33 seconds. Safe stall time at 100% voltage is 78 seconds cold, 56 seconds hot. Rotor inertia is 0.39 Lb-Ft Sq (0.02 Kg-meter Sq).

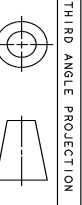
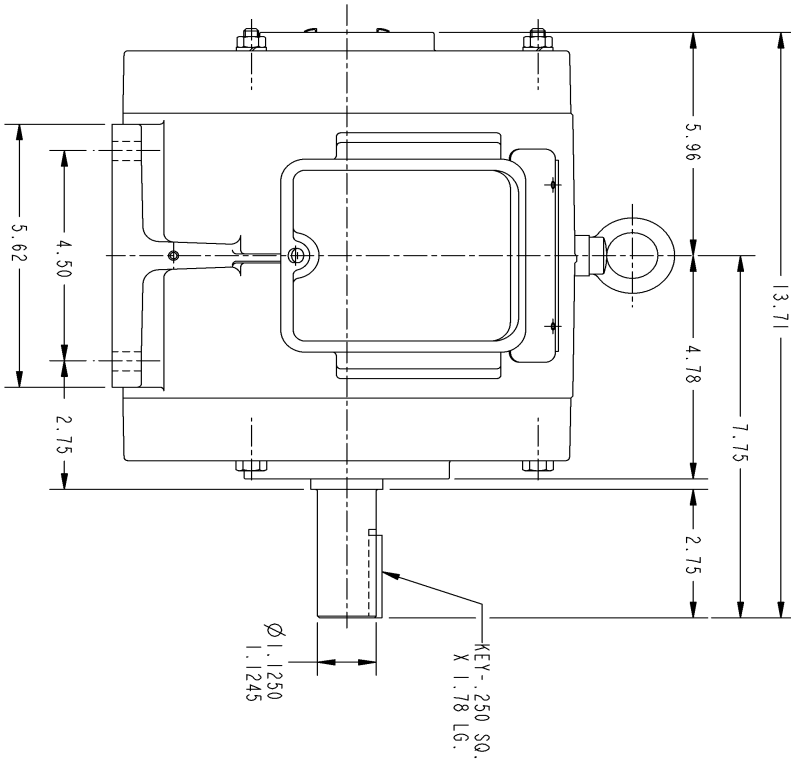
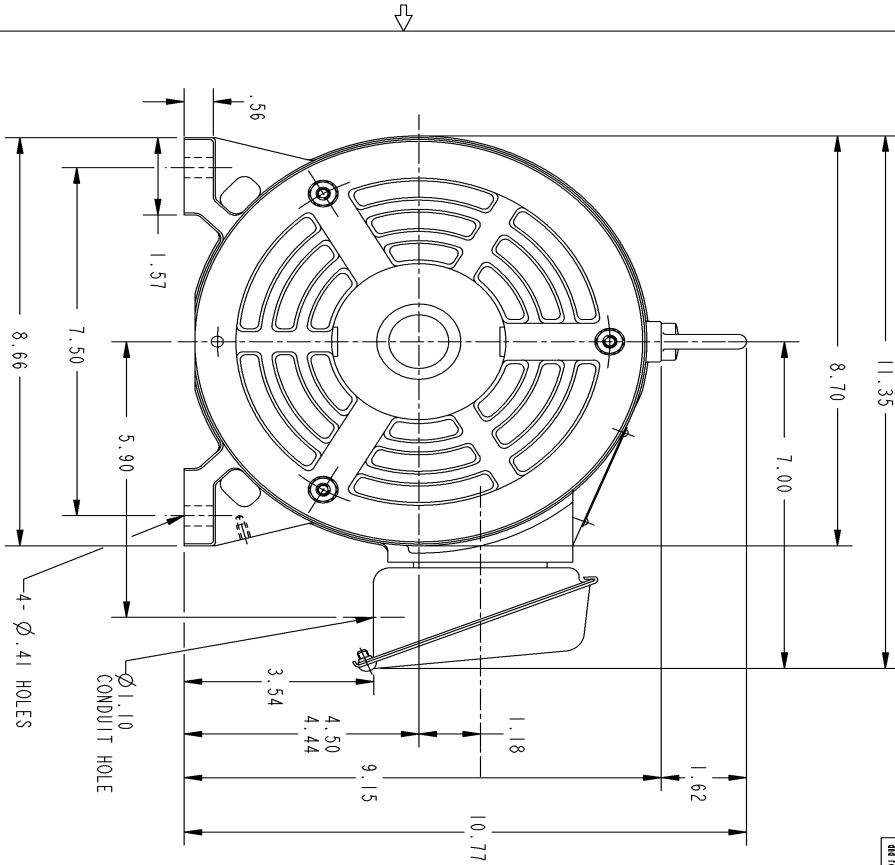
Open Circuit A-C:	0.253	Short Circuit D-C:	0.008
Short Circuit A-C:	0.012	X/R Ratio:	3.179
Stator Slots:	36	Rotor Slots:	28

Speed Torque Current Curve (First Connection, First Speed)



NAME:501452442 OBJECT:358B6214AA DATE:24-May-07 22:58:52

Marks:



THIRD ANGLE PROJECTION

NOTES :

1. CONDUIT BOX MAY BE PLACED WITH THE ENTRANCE DOWN, UP OR ON EITHER SIDE.
2. F-1 ASM AS SHOWN.
3. F-2 ASM - HAS CONDUIT BOX ON OPPOSITE SIDE.

This General is the property of General Electric Company (GEC) and contains confidential information. This General is loaned to the recipient under the condition that the information contained herein shall be disclosed to no other person and shall be returned to GEC upon the expiration of the loan period. This General shall be returned to GEC upon its receipt by the recipient. This General shall be returned to GEC upon its receipt by the recipient. This General shall be returned to GEC upon its receipt by the recipient.

GE PROPRIETARY INNOVATION
358B6214AA

REV.	DESCRIPTION	DATE	APPROVED
1	ISAAC 07-0770	05/02/07	R. KOHNE

UNLESS OTHERWISE SPECIFIED:		SIGNATURES		DATE	
DIMENSIONS ARE IN INCHES		DRAWN		P. RAJU 03/28/03	
TOLERANCE ON:		CHECKED		PRABHAKAR 03/27/03	
2 PL DECIMALS ± .01		ENGR		PRABHAKAR 03/27/03	
3 PL DECIMALS ± .005		ISSUED		PRABHAKAR 03/27/03	
ANGLES ± 1°		APPLIED PRACTICES		SCALE: DRAWING SCALE	
MATERIAL:		SIZE/DRAWING		REV.	
		B		1	
		358B6214AA			
		182T - OPEN DRIP PROOF			
		OUTLINE			
		GENERAL ELECTRIC COMPANY			
		Fort Wayne, Indiana			
		GE Industrial Systems			

DISTRIBUTION:

Marks:

Connection Diagram
GEM2034E-FIG7

