

# Product Information Packet

November 9, 2016

Data shown is for the current revision model #. Ensure your nameplate model # matches.

<b>Model Number:</b>	<b>5KS184SAA108D3</b>
<b>Catalog Number:</b>	<b>M9940</b>
<b>Instruction Manual:</b>	GEI-56128
<b>Connection Diagram:</b>	GEM2034E-FIG1
<b>Outline Drawing:</b>	4002B5818PAP5201

<b>Accessory Connection Diagrams</b>			
<b>Bearing Thermocouple:</b>	None	<b>Heater:</b>	None
<b>RTD:</b>	None	<b>Thermistor:</b>	None
<b>Thermostat:</b>	None	<b>Winding Thermocouple:</b>	None
<b>Bearing RTD:</b>	None		

## Table of Contents

Specification	01
Performance Characteristics	02
Outline Drawing	03
Connection Drawing(s)	04
Spare parts	05



**Marks:**

<b>MODEL NUMBER:</b>	<b>5KS184SAA108D3</b>	<b>Estimated Weight:</b>	101 Lbs
<b>Outline Drawing:</b>	4002B5818PAP5201	<b>Time Rating:</b>	CONT
<b>Connection Diagram:</b>	GEM2034E-FIG1	<b>Enclosure:</b>	TEFC
<b>Instruction Book:</b>	GEI-56128	<b>Encl Construction:</b>	X\$D
<b>Design Code:</b>	18BD0103A	<b>Ambient Max(°C):</b>	40
<b>Type:</b>	KS	<b>Alt Ambient Max(°C):</b>	65
<b>Frame:</b>	184T	<b>Insulation Class:</b>	H
<b>Phases:</b>	3	<b>NEMA Design:</b>	B
<b>Poles:</b>	2	<b>Nominal Efficiency:</b>	88.5 %
<b>Output Power:</b>	5HP 3.7KW	<b>Guaranteed Efficiency:</b>	87.5
<b>RPM:</b>	3530	<b>3/4 Load Efficiency:</b>	89.3
<b>Voltage:</b>	460	<b>KVA Code:</b>	J
<b>Hertz:</b>	60	<b>Max KVAR:</b>	1.9
<b>Amps - FL:</b>	6.6	<b>Power Factor:</b>	80.5
<b>Service Factor:</b>	1.25	<b>Bearing - DE:</b>	6206ZC3
<b>Alt Service Factor:</b>	1.00	<b>Bearing - ODE:</b>	6206ZC3

**Enclosure is Totally Enclosed Fan-Cooled**

---

**Stamped Nameplate Notes:**

SF AMPS 7.9  
 STAMP NP249A5564P051 AS BELOW:  
 MODEL:5KS184SAA108D3 S/N: XXX  
 CSA CERTIFIED CSA09.2216219 FOR EX NA IIC 200C GC  
 CL 1 ZONE2 AEX NA IIC 200C;CL 1 DIV2 GRP ABCD 200C  
 IN -40C <= AMB <= 40C, 1.0 SF ON SINE-WAVE PWR  
 SURF TEMP 200C AT 1.25SF ON SINE-WAVE PWR  
 OR 200C VT OR 215C CT OR 200C CHP PWM CONTROL  
 ALTERNATE RATING FOR PWM CONTROL 1.0SF 40C AMB  
 VT 0 - 60 HZ, CT 3-60 HZ, CHP 60-90 HZ.

**Additional Information:**

2P - T EXTN  
 STANDARD FLOOR MOUNT  
 C/BOX 30 CU IN-0.75 NPT  
 F1 CONDUIT BOX MOUNTING  
 OIL RESISTANT SLEEVING ON LEADS

**Performance Characteristics**

1st Winding 1st Connection

**Design: 18BD0103A**

**Marks:**

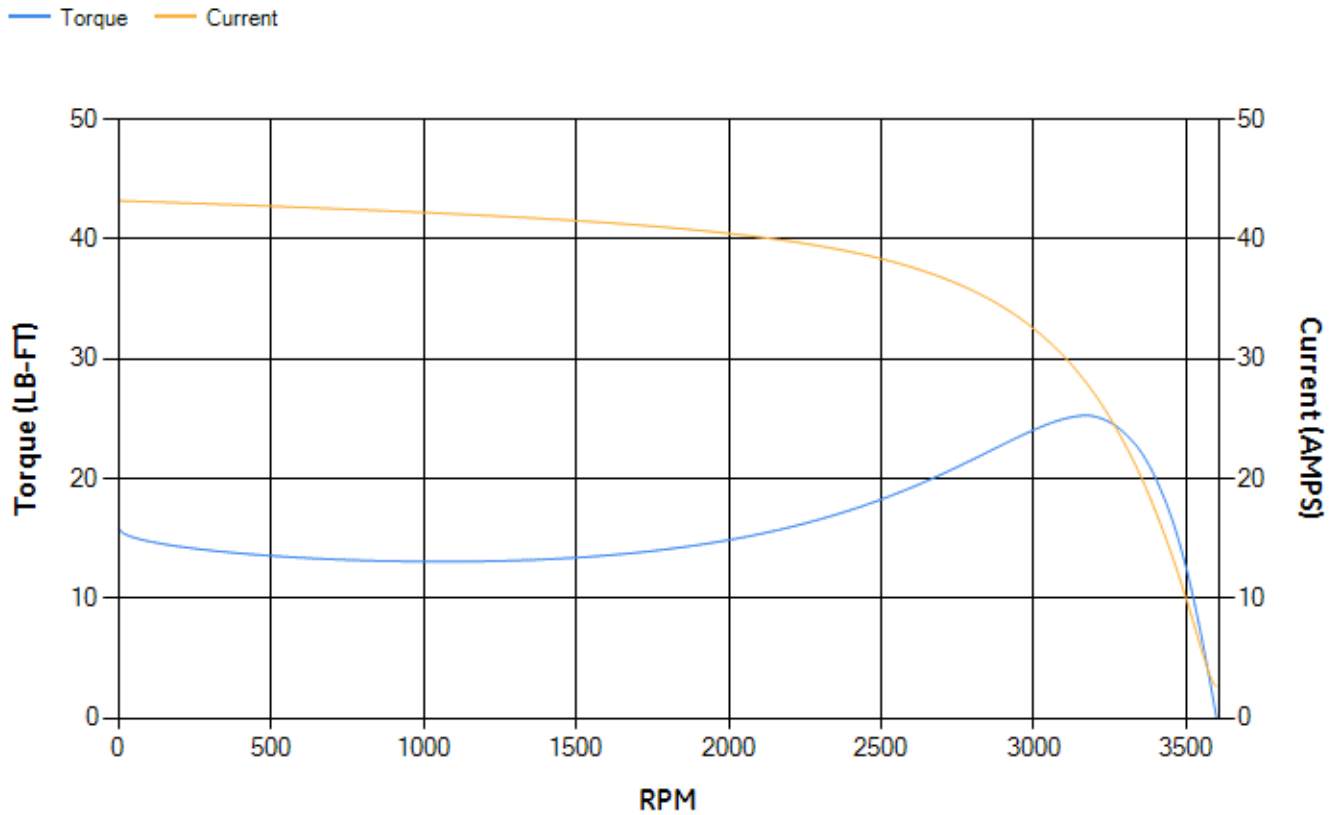
LOAD %	125.0	115.0	100.0	75.0	50.0	25.0	0.0
% EFF	88.58	88.92	89.48	89.29	87.84	81.49	0.00
% PF	83.43	82.52	84.25	74.86	63.69	42.37	9.05
AMPS	7.92	7.33	6.21	5.25	4.18	3.39	2.61

TORQ(FL)#FT	7.44	TORQ(LR)%FL	213.31	TORQ(BD)%FL	337.03
AMPS(LR)	43.21	PF AT START	0.4		

This motor is capable of two cold or one hot start with a maximum connected load inertia of 45 Lb-Ft Sq (1.89 Kg-meter Sq) at 100% voltage, where the load torque varies with the square of the speed. Acceleration time with maximum inertia and the above load type is 38 seconds. Safe stall time at 100% voltage is 77 seconds cold, 56 seconds hot. Rotor inertia is 0.16 Lb-Ft Sq (0.01 Kg-meter Sq).

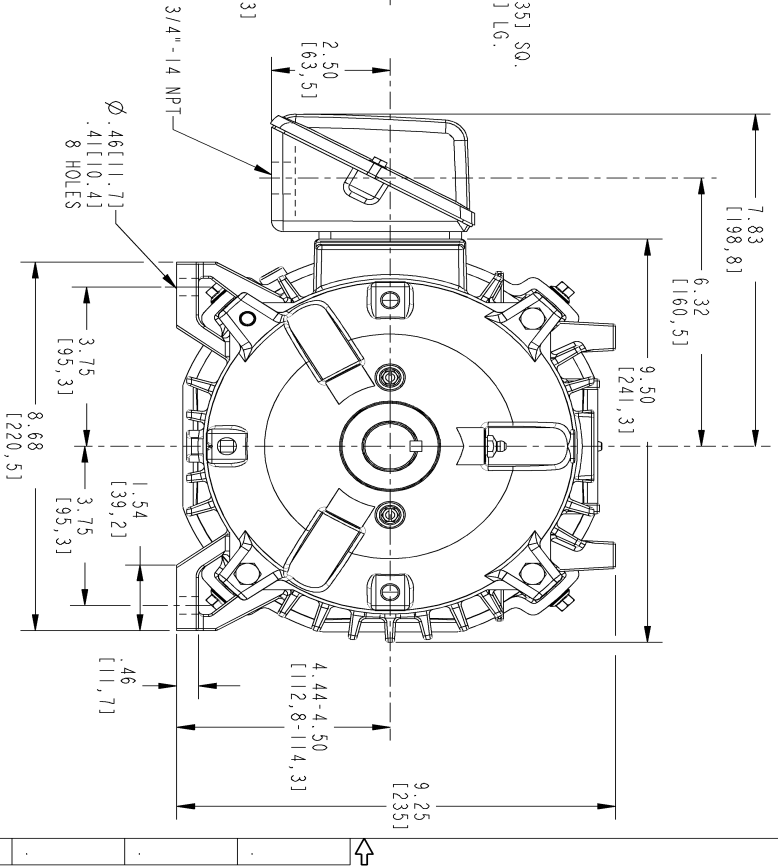
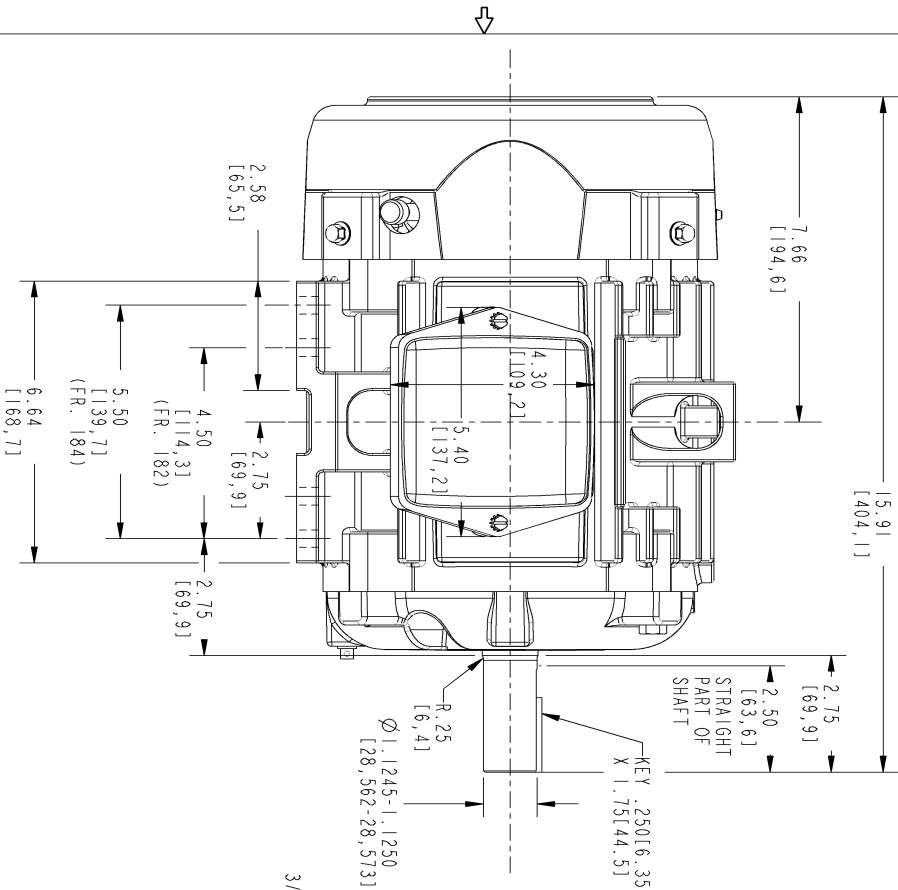
Open Circuit A-C:	0.305	Short Circuit D-C:	0.01
Short Circuit A-C:	0.017	X/R Ratio:	3.956
Stator Slots:	36	Rotor Slots:	28

**Speed Torque Current Curve (First Connection, First Speed)**



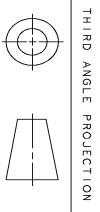
Marks:

NOTE 1: CONDUIT BOX MAY BE ASSEMBLED WITH ENTRANCE UP, DOWN OR TO EITHER SIDE.  
 NOTE 2: F1 ASSEMBLY AS SHOWN. F2 ASSEMBLY CONDUIT BOX ON OPPOSITE SIDE FROM SHOWN LOCATION.



REV.	DESCRIPTION	DATE	APPROVED
1	DUAL DIMENSION ADDED SWITCH	11/22/07	HEMANTH
2	ISAC# 12-0387	04/14/2012	HARIKIRAN
3	ISAC#14-0583	07/17/14	MAAYATHA
4	ISAC#15-0206	03/05/15	VJ JAY

SIZE DRAWING NO. 4002B5818PAP5201 SH 4 REV



SIGNATURES		DATE	<p><b>GENERAL ELECTRIC COMPANY</b> Fort Wayne, Indiana</p> <p><b>INDUCTION MOTOR OUTLINE</b> STANDARD CONSTRUCTION FME: FR180T TEFC</p>
DRAWN	GARY WARRNER	OCT 31/01	
CHECKED	GARY WARRNER	MAY 02/02	
ENGR	GARY WARRNER	MAY 02/02	
ISSUED	GARY WARRNER	MAY 02/02	
APPLIED PRACTICES		SIZE DRAWING	REV.
SCALE: 0.400 REF. NO: 4002B5818PAP201		B	4

DISTRIBUTION: PMP-18K15

Marks:

**Connection Diagram**  
**GEM2034E-FIG1**



End shield Assembly		
Part Description	DE Side Part#	ODE Side Part#
End Shield	4004D5281PB1	4004D5281SG1
Bearing	235A2602AA01	235A2602AA01
Slinger/Inproseal	149C4399G16	149C4399G16

Fan & Fan Cover Assembly	
Part Description	Part#
Fan	4001A5914AM-G01
Fan Cover	4003C5786PA1

Conduit & Accessories Box Assembly	
Part Description	Part#
Conduit Box	4002B5718PA-G01

Mechanical Accessories	
Part Description	Part#
Brake	
Tachometer	