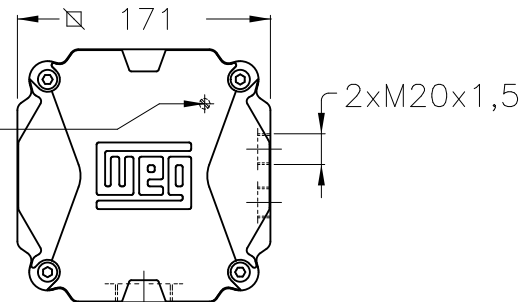


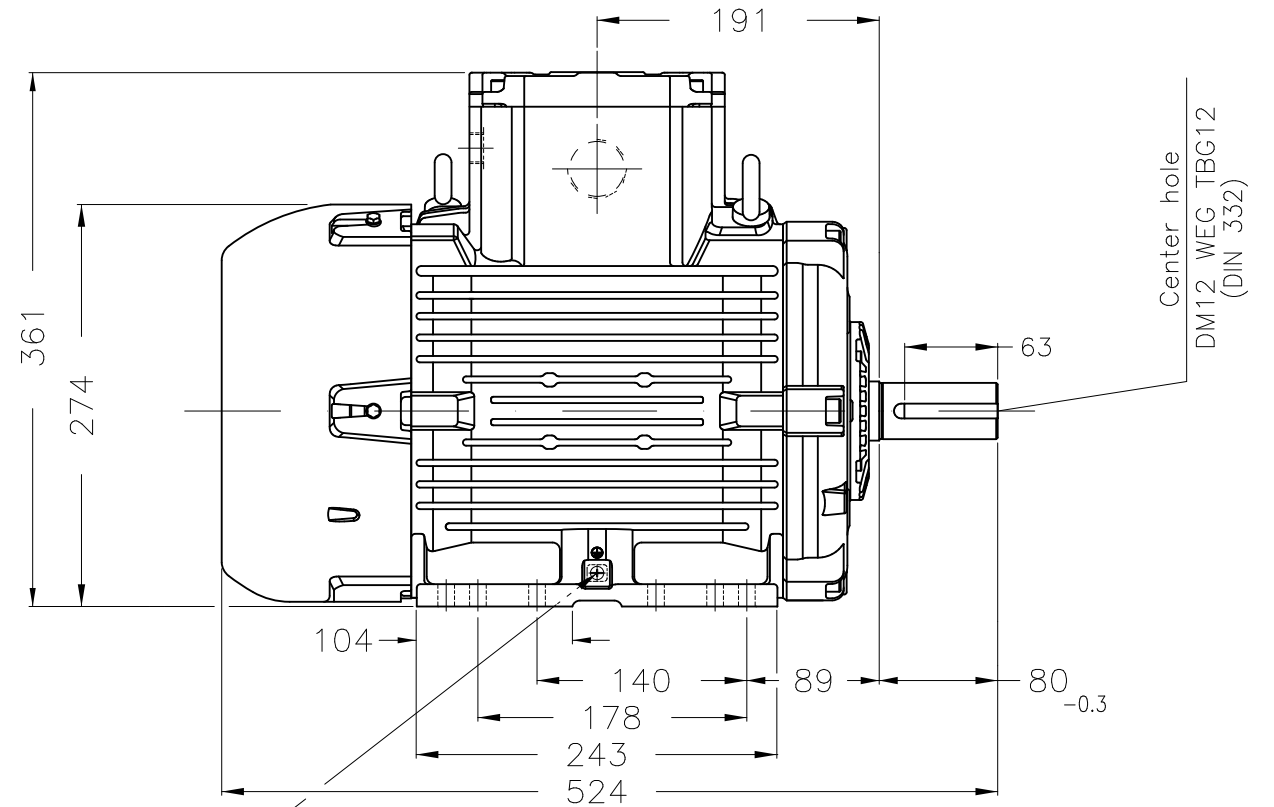
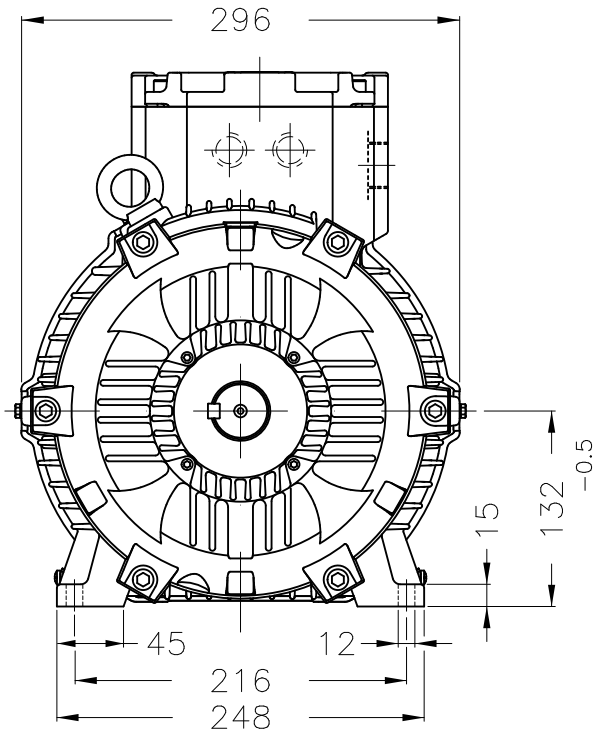
Dimensões em mm  
Dimensions in mm

Grounding for leads 2-10 mm<sup>2</sup> / 14-7 AWG

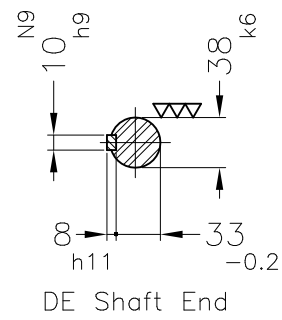


M32x1,5  
Main terminal box

THIS IS AN UPDATED REVISION, THE PREVIOUS ONE MUST BE DISREGARDED.



Grounding for leads 2-10 mm<sup>2</sup> / 14-7 AWG



DE Shaft End

Color RAL 5009									
Painting plan 205P									
Mounting B3T									
ECM	LOC	SUMMARY OF MODIFICATIONS			EXECUTED	CHECKED	RELEASED	DATE	VER
EXECUTED	USERADMIN	THREE PHASE MOTOR W22 EX-D ARP							
CHECKED		FRAME 132S/M IP56 TEFC							
RELEASED		WEG code: 13212616							
REL DT	24.07.2017	WMO	Jaragua do Sul	Product Engineering	SHEET	1 / 1			

5.5 kW 02 Poles 50 Hz

A

