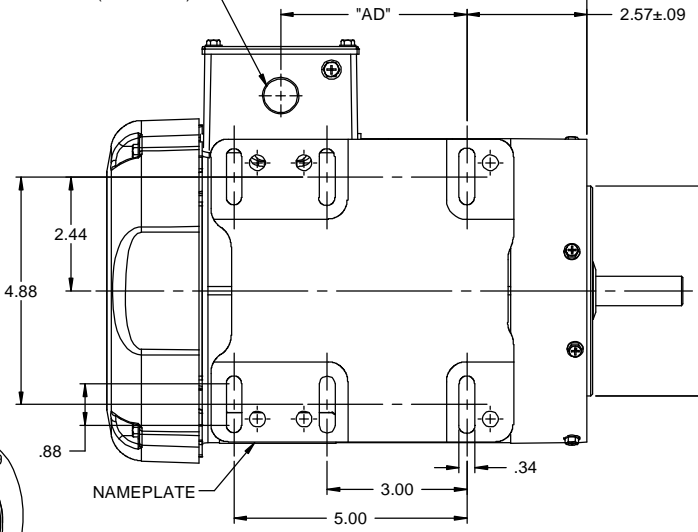


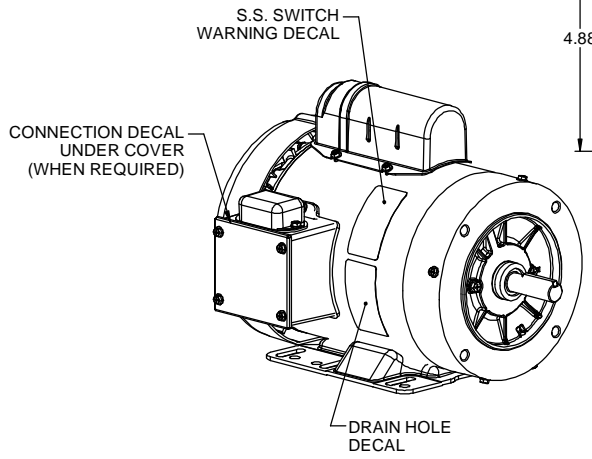
(1) 1/2-14 NPT CONDUIT HOLE (PLUGGED)



3/8-16 UNC-2B x .56 DEEP
(4) REQ'D. ON A Ø5.875 B.C.

WASHGUARD MOTOR

- SPECIAL FEATURES:
1. SHAFT SEALS & V-RING.
 2. PLUGGED DRAIN HOLES IN ENDBELLS & CONDUIT BOX.
 3. BUNA-N GASKETS THROUGHOUT.
 4. STAINLESS STEEL SHAFT, HARDWARE & NAMEPLATE.
 5. SOLID STATE SWITCH MOUNTED TO CONDUIT BOX.



DASH NO.	"C"	"AD"	"XO"	DASH NO.	"C"	"AD"	"XO"
650A	12.37	4.00	2.00	650B	12.37	4.00	2.25
700A	12.87	4.50	2.00	700B	12.87	4.50	2.25
750A	13.37	5.00	2.00	750B	13.37	5.00	2.25
800A	13.87	5.50	2.00	800B	13.87	5.50	2.25
850A	14.37	6.00	2.00	850B	14.37	6.00	2.25

				TOLERANCES UNLESS SPECIFIED				DRAWN VS 9/27/2012	
				DEC INCHES				CHK	
				X ±.1		TITLE OUTLINE - 56HC FRAME TEFC - RIGID "C" FACE MATL WASHGUARD		APPR	
				XX ±.03				SCALE 3:8	
				XXX ±.005				REF 607-0009	
				XXXX ±.0005				FMF 056C34W99003	
NO	REVISION	BY & DATE	CHK	ANG ±1/2"	FINISH	PAGE OF			
				THIRD ANGLE PROJECTION		RFP		DRAWING NO	
						PREV		SIZE	
				NETWORK FILE NAME 607-0009ME		B		DRAWING NO 607-0009ME	
								REV	