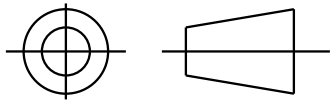


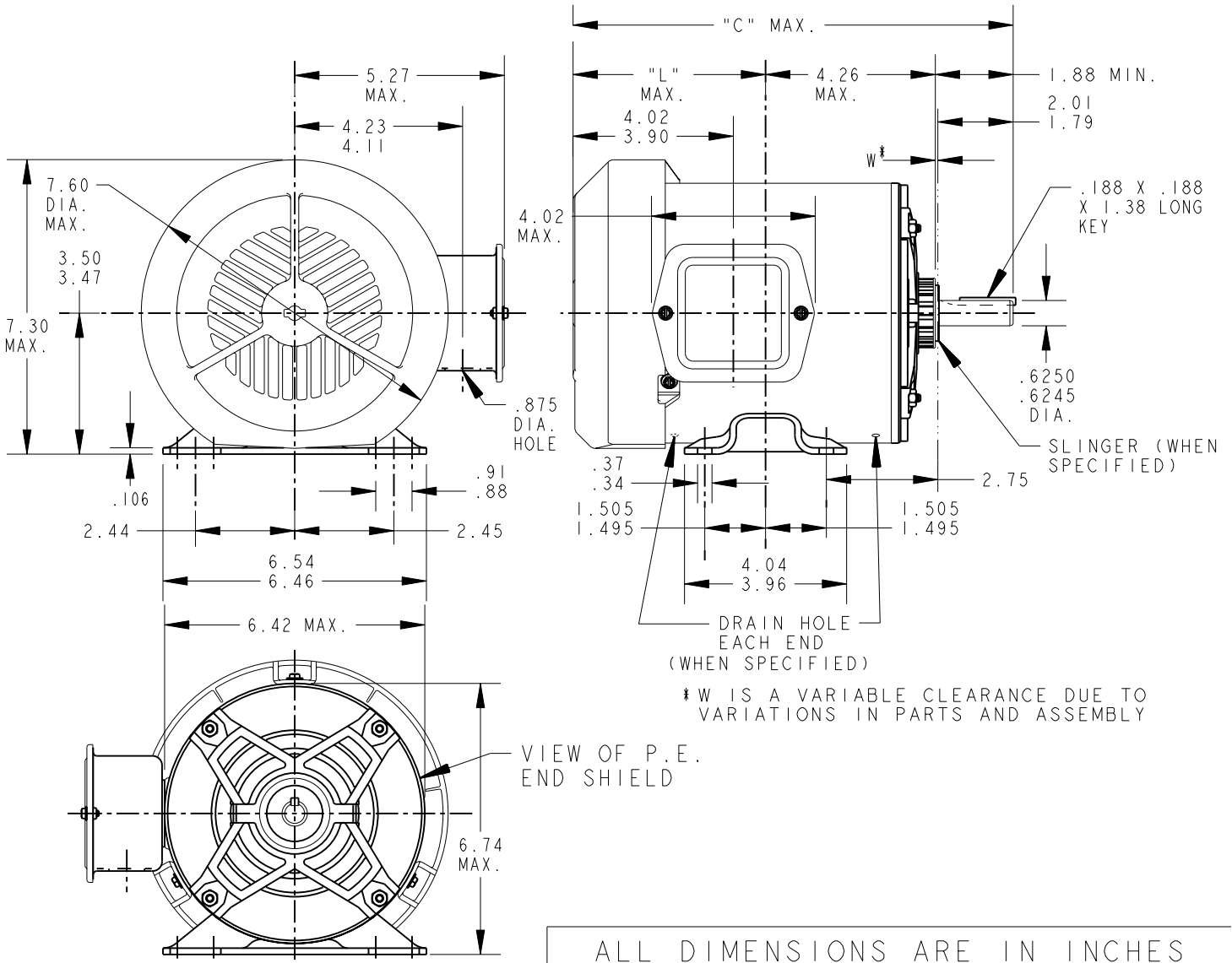
SHEET 1  
 REV 4  
 SIZE 52A107797  
 DRAWING NO. A

THIRD ANGLE PROJECTION




REVISIONS

REV.	DESCRIPTION	DATE	APPROVED
3	ADDED PART #5.	07/16/98	M.D.PAPE
4	CHG TO RBC FORMAT PER ISO5-1777	03/03/06	SUDHA



ALL DIMENSIONS ARE IN INCHES

5	K	49	56	12.43	6.28	7.15
4	K	49	56	10.73	4.47	5.34
3	K	46	56	11.83	5.68	6.55
2	K	49	56	11.43	5.28	6.15
1	K	42	56	11.00	4.85	5.72
P	TYPE	GE SIZE	NEMA FR.	"C"	"L"	MIN. SHELL

FOR ADDITIONAL INFO REFER TO: APPLIED PRACTICES DIMENSIONS ARE IN INCHES ✓ MATERIAL	SIGNATURES		DATE	 <b>REGAL-BELOIT CORPORATION</b> TITLE <b>OUTLINE</b> <b>GENERAL PURPOSE MOTOR TEFC - BALL BEARING - WELDED BASE FMF: 5K42HN4005 &amp; 5K49KN4006</b> SIZE DRAWING <b>52A107797</b>	REF. No: . SCALE: 0.250 SHEET 1 of 1
	MODEL M.D.PAPE		05/19/92		
	DETAIL		.		
	CHECKED		.		
	ENGRG		.		
MFG		.			
QUALITY		.			
ISSUED M.D.PAPE		05/19/92			
SOLID MODEL: 52A107797					

REV 4