

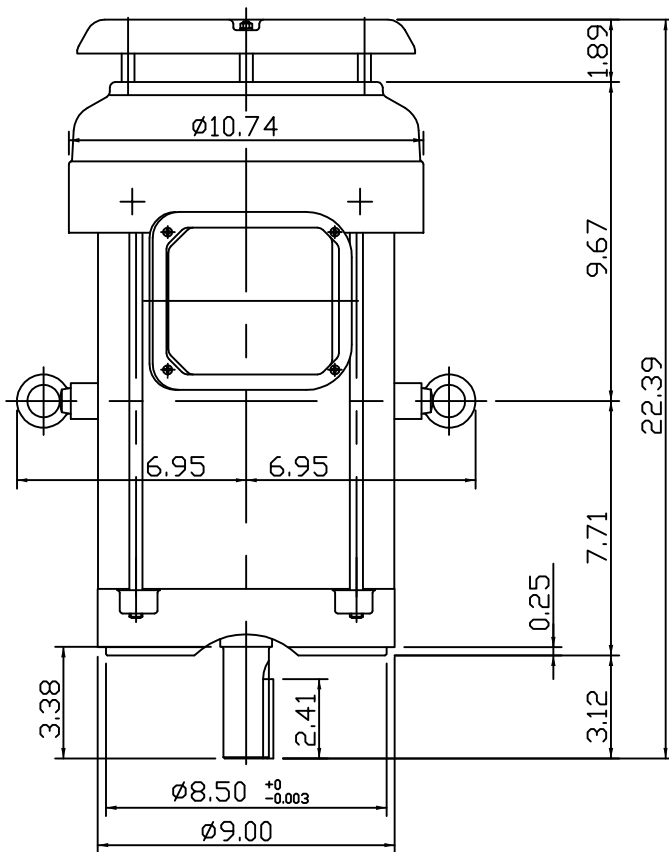
DATE
OCTOBER 29, 2009
CAT. #: GPV0102C

OUTLINE DIMENSIONS
3-PHASE INDUCTION MOTOR

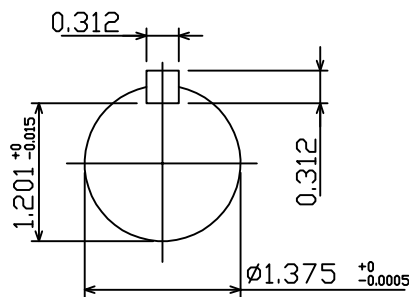
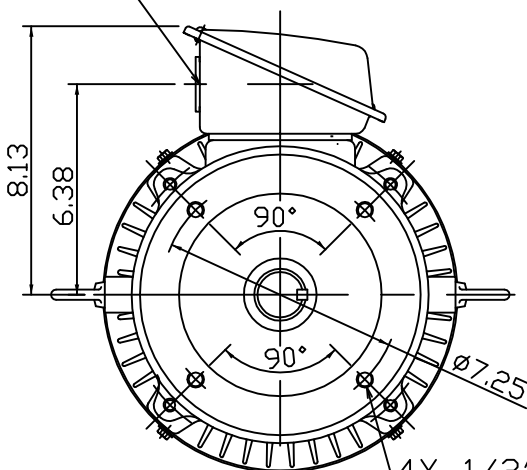
MOTOR TYPE:
AETHCF
FRAME NO. 215TC

| Pole | HP | kW | Hz | VOLT | Syn.Speed r/min(rpm) |
|------|--------|--------------|---------------|----------------------------|-------------------------|
| 2 | 10 | 7.5 | 60 | 230/460 | 3600 |
| Ins | Rating | Dimension in | Approx Weight | Bearings | |
| F | CONT. | inches | 186 lbs. | DE: 6208ZZC3 NDE: 6206ZZC3 | |

Totally Enclosed Fan-Cooled Type. Squirrel-Cage Rotor.



$\phi 1.38$ " CONDUIT HOLE



| | | |
|-------|-----------|----------|
| DWN. | Y.S.LIN | 10 01 09 |
| CHKD. | J.H.LIANG | 10 06 09 |
| APPD. | M.C.TSAI | 10 06 09 |

TECO Westinghouse

DWG NO.
31049R195010