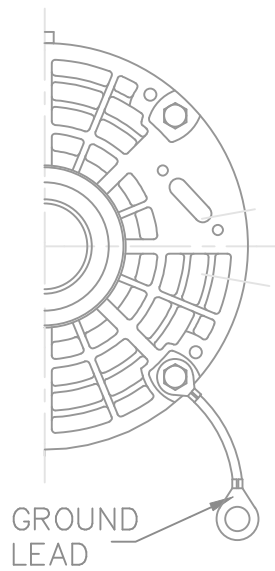
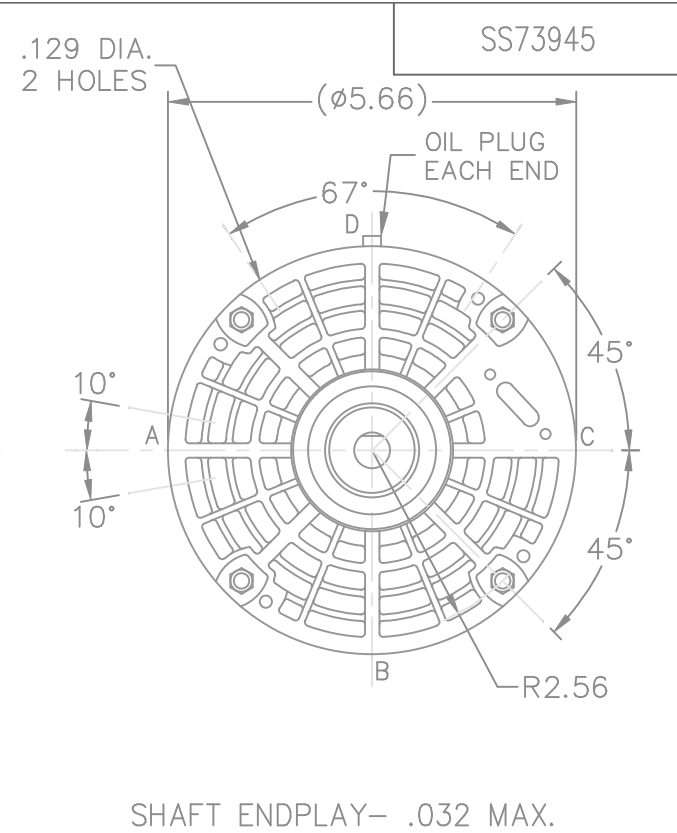
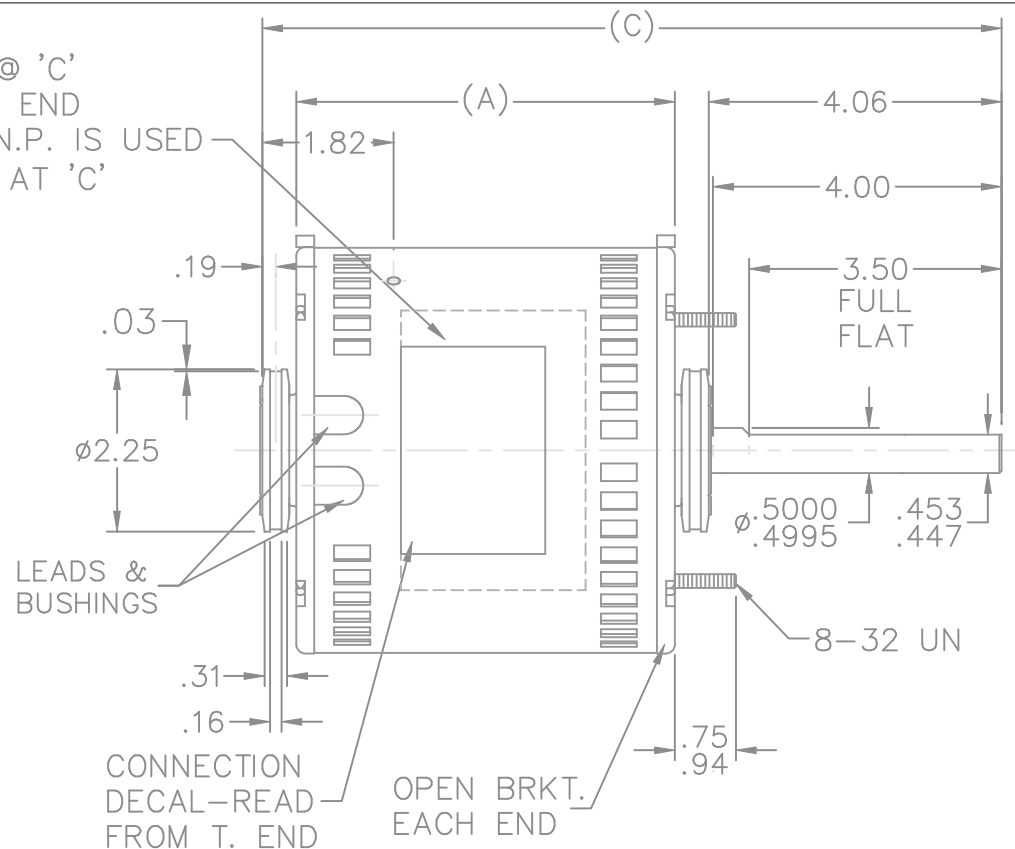


NAMEPLATE LOC. @ 'C'  
 READ FROM TERM. END  
 WHEN TWO PART N.P. IS USED  
 CENTERED PIECES AT 'C'

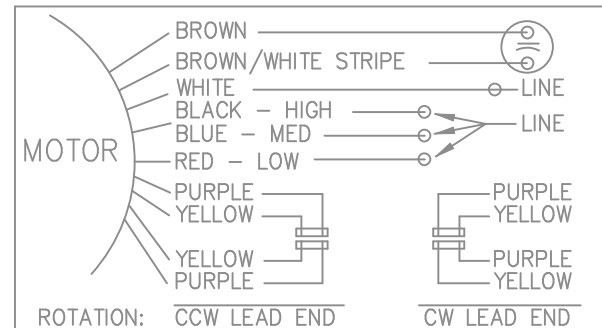


GROUND LEAD  
 TERM. END



DASH	FR.	C	A
375	48Y	9.25	4.25
400	48Y	9.50	4.50
425	48Y	9.75	4.75
475	48Y	10.25	5.25
488	48Y	10.38	5.38
500	48Y	10.50	5.50

LEAD DESCRIPTION:  
 1 WHITE, 1 BLACK, 1 BLUE, & 1 RED, LEAD WITH .50 BARE WIRE STRIP. 30.00" LONG  
 2 BROWN LEADS WITH .25 FLAG-TYPE QUICK CONNECTS 30.00" LONG. BROWN/ WHITE MARKED LEAD IS COMMON TO WHITE.  
 REVERSING LEADS ARE MOLDED INTO MATING PULL-APART PLUGS. 1 YELLOW & 1 PURPLE LEAD PER PLUG. 5.00" LONG.  
 GREEN GROUND LEAD WITH TERM. FOR #10 SCREW 12.00" LONG.



				TOLERANCES UNLESS SPECIFIED		MARATHON ELECTRIC	DRAWN BLR 09-19-1995					
				DEC.	INCHES		CHK	DA	09-29-1995			
				.X	±.1		APPD	GK	09-29-1995	SCALE	3=8	
10	UPDATED DRAWING	TJW	04/02/2007	.XX	±.03	TITLE	REF					
9	REDRAWN IN AUTOCAD	TAT	08-20-2004	ML	.XXX	±.005						
8	REDRAWN AND REVISED LEAD LENGTHS CN 21149	BLR	09-29-1995		.XXXX	±.0005	MAT'L.					
NO.	REVISION	BY & DATE	CHK	ANG	±	"	FINISH	PREV				
			RFP				CAD FILE	ss73945	SIZE	DRAWING NO.	PAGE OF	REV.
			DIST	WP					A	SS73945		10