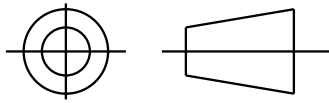


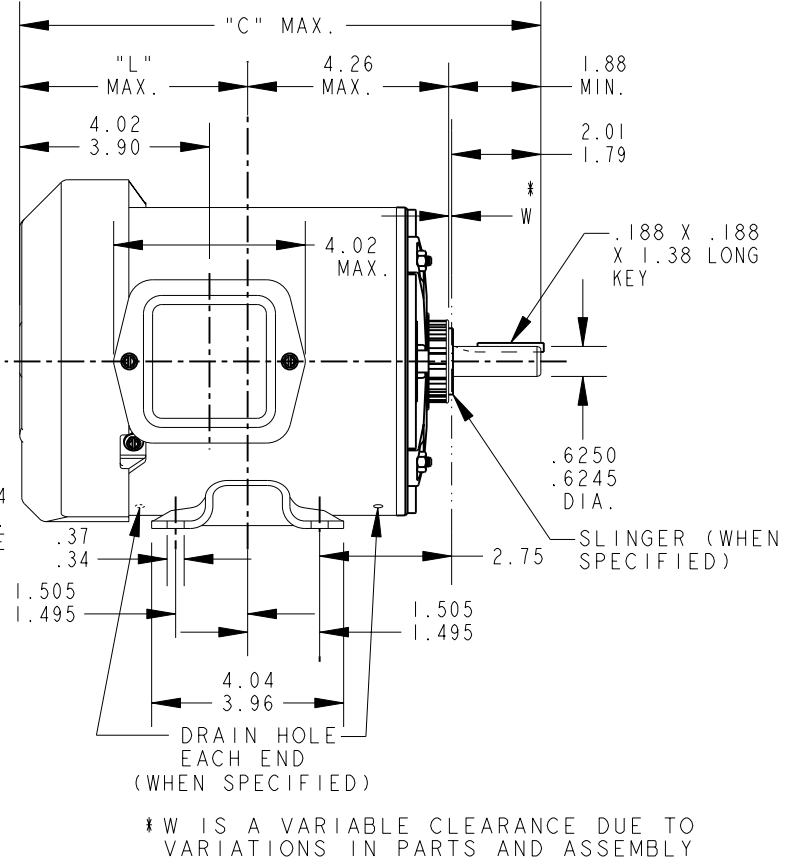
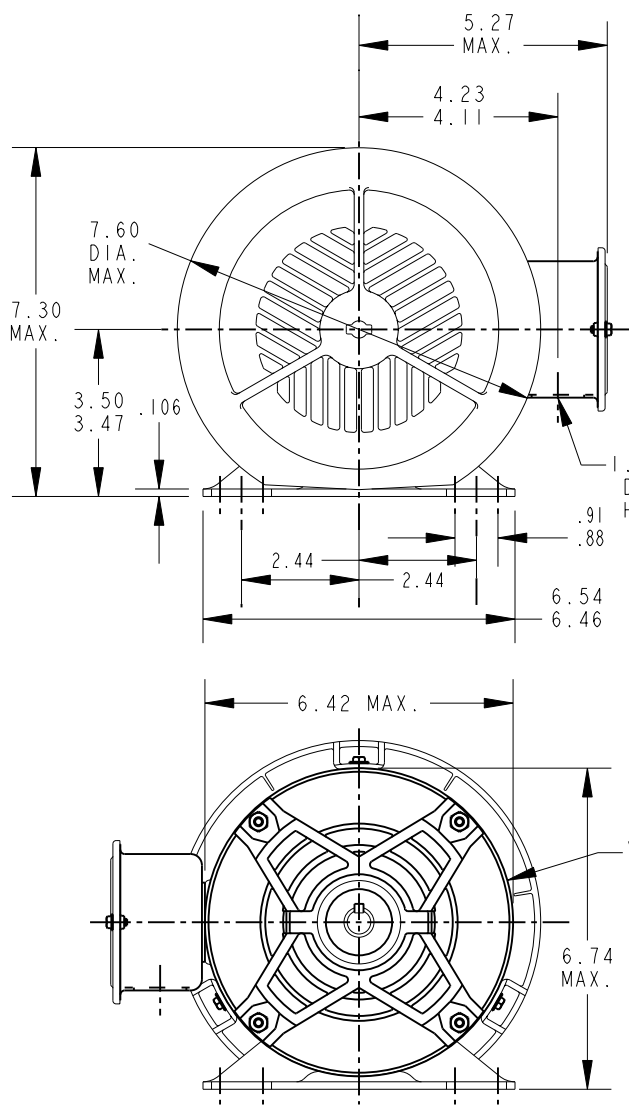
SHEET 1
 REV 2
 SIZE DRAWING NO. 52A109657
 A

THIRD ANGLE PROJECTION



REVISIONS

REV.	DESCRIPTION	DATE	APPROVED
2	CHG TO RBC FORMAT PER ISO5-1777	03/22/06	SUDHA




*W IS A VARIABLE CLEARANCE DUE TO VARIATIONS IN PARTS AND ASSEMBLY

VIEW OF P.E. END SHIELD

ALL DIMENSIONS ARE IN INCHES

6	K	49	56	14.38	8.12	8.99
5	K	49	56	13.07	6.81	7.68
4	K	49	56	12.54	6.28	7.15
3	K	46	56	11.94	5.68	6.55
2	K	49	56	11.54	5.28	6.15
1	K	42	56	11.11	4.85	5.72
P	TYPE	GE SIZE	NEMA FR.	"C"	"L"	MIN. SHELL

SIGNATURES		DATE
MODEL	M. D. PAPE	08/05/94
DETAIL	.	.
CHECKED	.	.
ENGRG	.	.
MFG	.	.
FOR ADDITIONAL INFO REFER TO:	QUALITY	.
APPLIED PRACTICES	ISSUED	M. D. PAPE 08/05/94
DIMENSIONS ARE IN INCHES ✓	SOLID MODEL: 52A109657	



REGAL-BELOIT CORPORATION

TITLE **OUTLINE**

GENERAL PURPOSE MOTOR - TEFC - BALL BEARING - WELDED BASE FMF - 40 FRAME REDESIGN

SIZE: DRAWING **52A109657** REV **2**

SCALE: 0.250 REF. No: . SHEET 1 of 1