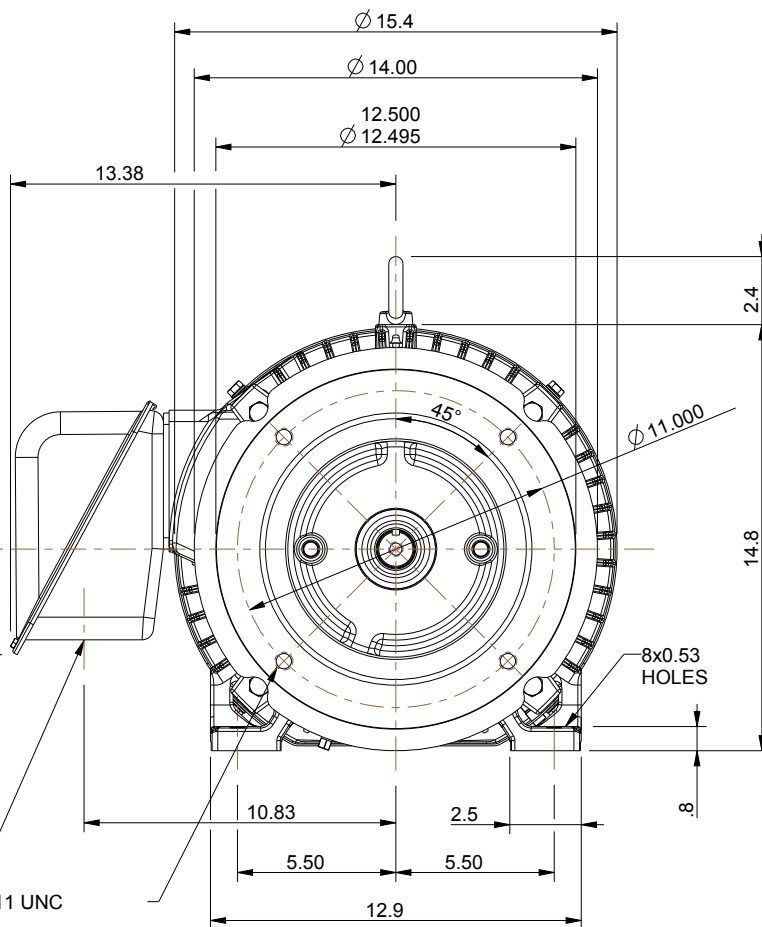
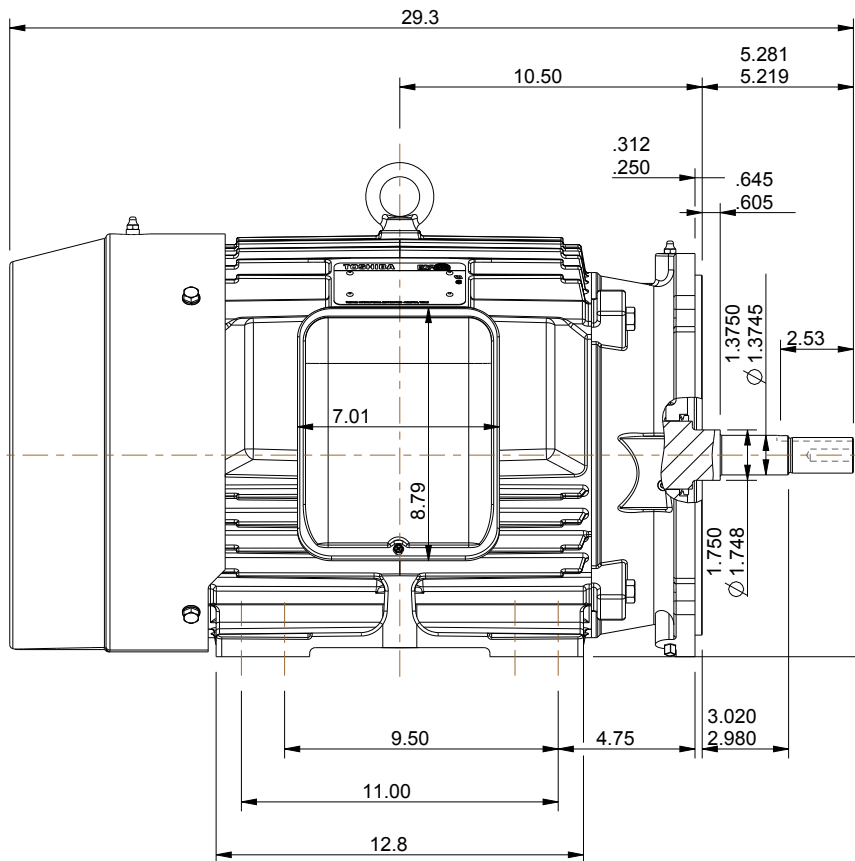
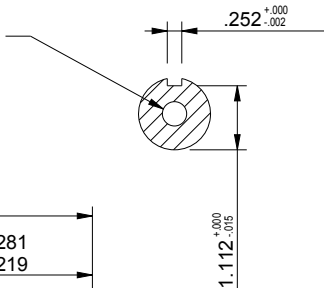


TAP 1/2" - 13 UNC
1.5" DEEP
CLASS 3 R.H.



NOTES:

1. MAIN CONDUIT BOX MAY BE ROTATED IN 90° INCREMENTS
2. STANDARD PRODUCT USE BI-DIRECTIONAL FAN. OPPOSITE ROTATION AVAILABLE ONLY BY CONNECTION CHANGE.
3. KEY DIMENSIONS EQUAL (MOTOR SUPPLIED WITH KEY)

0.250" x 0.250" x 2.53"

UNITS: INCHES

TOSHIBA RESERVES THE RIGHT TO MAKE CHANGES OF TECHNICAL IMPROVEMENT WITHOUT NOTICE. DO NOT USE FOR CONSTRUCTION, INSTALLATION, OR APPLICATION PURPOSES UNLESS THE DRAWING IS CERTIFIED.

**280JM TEFC FRAME
F1 ASSEMBLY**

MDSLVL108-05

TOSHIBA

TOSHIBA INTERNATIONAL CORPORATION

TOLERANCES

| | |
|-------|-------|
| .X | .1 |
| .XX | .03 |
| .XXX | .005 |
| .XXXX | .0005 |

MAXIMUM
MOTOR WEIGHT

448 lbs.
203 kgs.

| NO | REVISION | M. O'DOWD | DATE | CHECK |
|----|---|---------------|----------|-------|
| 1 | CHANGE TOLERANCE ON 'EL' DIA. DIMENSION | M. O'DOWD | 12/19/13 | JR |
| 0 | FIRST ISSUE | M.EASTERBROOK | 5/30/13 | JR |
| NO | | | | |



DRAWN BY: M. EASTERBROOK
CHECK BY: J. RUSSELL
APPROVED BY:

www.toshiba.com/ind