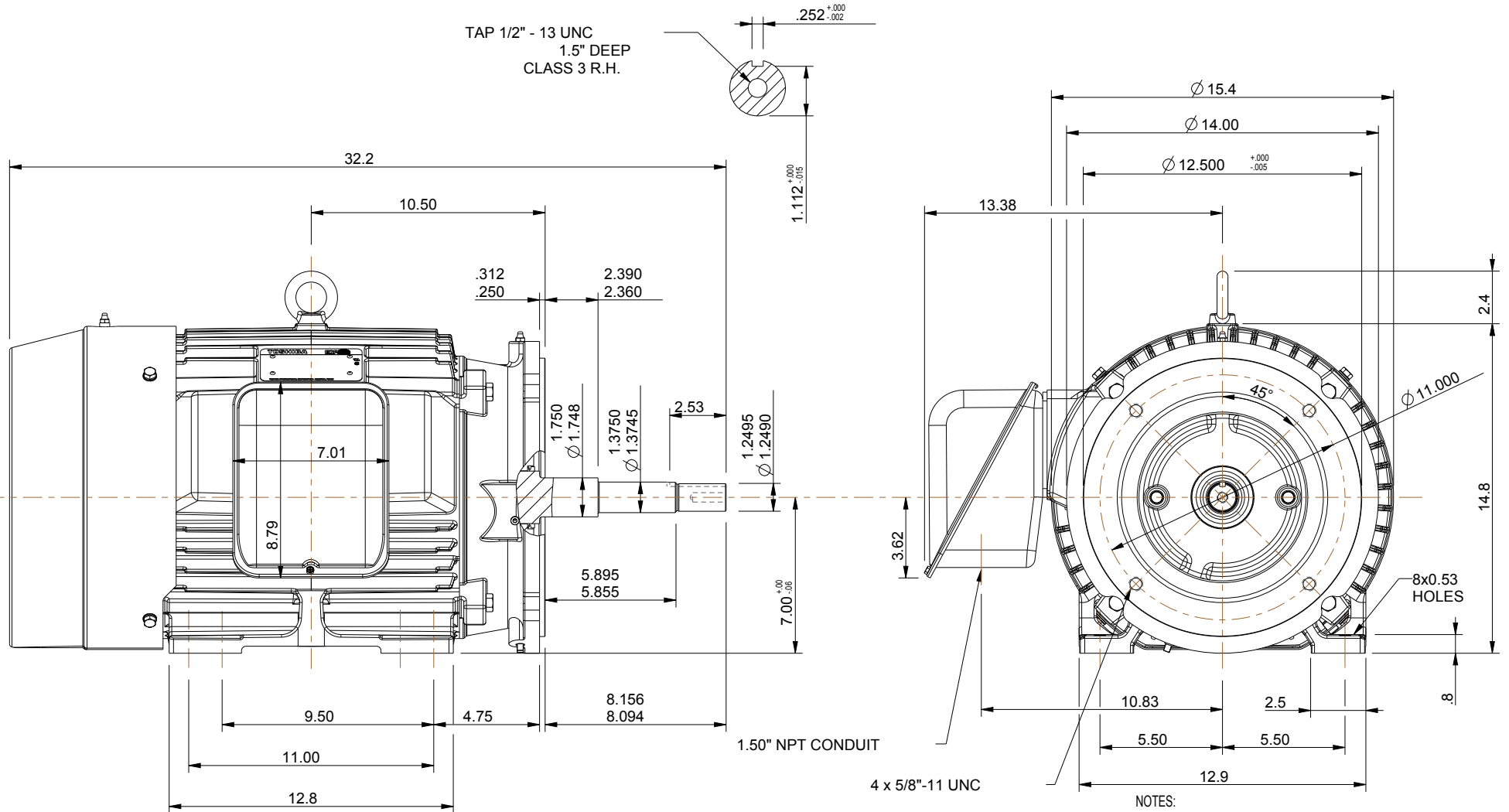


TAP 1/2" - 13 UNC  
1.5" DEEP  
CLASS 3 R.H.



- NOTES:  
 1. MAIN CONDUIT BOX MAY BE ROTATED IN 90° INCREMENTS  
 2. STANDARD PRODUCT USE BI-DIRECTIONAL FAN. OPPOSITE ROTATION AVAILABLE ONLY BY CONNECTION CHANGE.  
 3. KEY DIMENSIONS EQUAL (MOTOR SUPPLIED WITH KEY)

UNITS: INCHES

TOSHIBA RESERVES THE RIGHT TO MAKE CHANGES OF TECHNICAL IMPROVEMENT WITHOUT NOTICE. DO NOT USE FOR CONSTRUCTION, INSTALLATION, OR APPLICATION PURPOSES UNLESS THE DRAWING IS CERTIFIED.

**280JP TEFC FRAME  
F1 ASSEMBLY**

MDSL159-05

**TOSHIBA**

TOSHIBA INTERNATIONAL CORPORATION

TOLERANCES

.X	.1
.XX	.03
.XXX	.005
.XXXX	.0005

MAXIMUM MOTOR WEIGHT

448 lbs.
203 kgs.

0	FIRST ISSUE	MEASTERBROOK	5/30/13	JR
NO	REVISION	DRAWN BY	DATE	CHECK



DRAWN BY: M. EASTERBROOK  
 CHECK BY: J. RUSSELL  
 APPROVED BY: \_\_\_\_\_  
 www.toshiba.com/ind