

Product Information Packet

January 12, 2017

Data shown is for the current revision model #. Ensure your nameplate model # matches.

Model Number:	5KS284CAA115D
Catalog Number:	E9665
Instruction Manual:	GEI-56128
Connection Diagram:	GEM2034E-FIG9
Outline Drawing:	4002B5828RAP5221

Accessory Connection Diagrams			
Bearing Thermocouple:	None	Heater:	None
RTD:	None	Thermistor:	None
Thermostat:	3027JE-2A	Winding Thermocouple:	None
Bearing RTD:	None		

Table of Contents

Specification	01
Performance Characteristics	02
Outline Drawing	03
Connection Drawing(s)	04
Spare parts	05



Marks:

MODEL NUMBER:	5KS284CAA115D	Estimated Weight:	460 Lbs
Outline Drawing:	4002B5828RAP5221	Time Rating:	CONT
Connection Diagram:	GEM2034E-FIG9	Enclosure:	TEFC
Instruction Book:	GEI-56128	Encl Construction:	XP
Design Code:	28BD0159A	Ambient Max(°C):	40
Type:	KS	Alt Ambient Max(°C):	--
Frame:	284TS	Insulation Class:	F
Phases:	3	NEMA Design:	B
Poles:	2	Nominal Efficiency:	91.7 %
Output Power:	25HP 18.5KW	Guaranteed Efficiency:	90.2
RPM:	3550	3/4 Load Efficiency:	92.5
Voltage:	230/460	KVA Code:	G
Hertz:	60	Max KVAR:	4.7
Amps - FL:	56.0/28.0	Power Factor:	91.0
Service Factor:	1.00	Bearing - DE:	6310ZC3
Alt Service Factor:	--	Bearing - ODE:	6310ZC3

Enclosure is Totally Enclosed Fan-Cooled

Stamped Nameplate Notes:

EXPLOSION PROOF MOTOR
TEMP CODE T3C
THERMOSTAT LEADS TB1-TB2
STAMP NP249A5571AD "CL I (C & D) CL II (F & G)"

Additional Information:

2P - TS EXTN
STANDARD FLOOR MOUNT
C/BOX 250 CU IN-2.00 NPT
F1 CONDUIT BOX MOUNTING
AUX LEADS EXIT WITH MOTOR LEADS
CL I C & D CL II F & G EXPLOSION PROOF MOTOR

Performance Characteristics

1st Winding 1st Connection

Design: 28BD0159A

Marks:

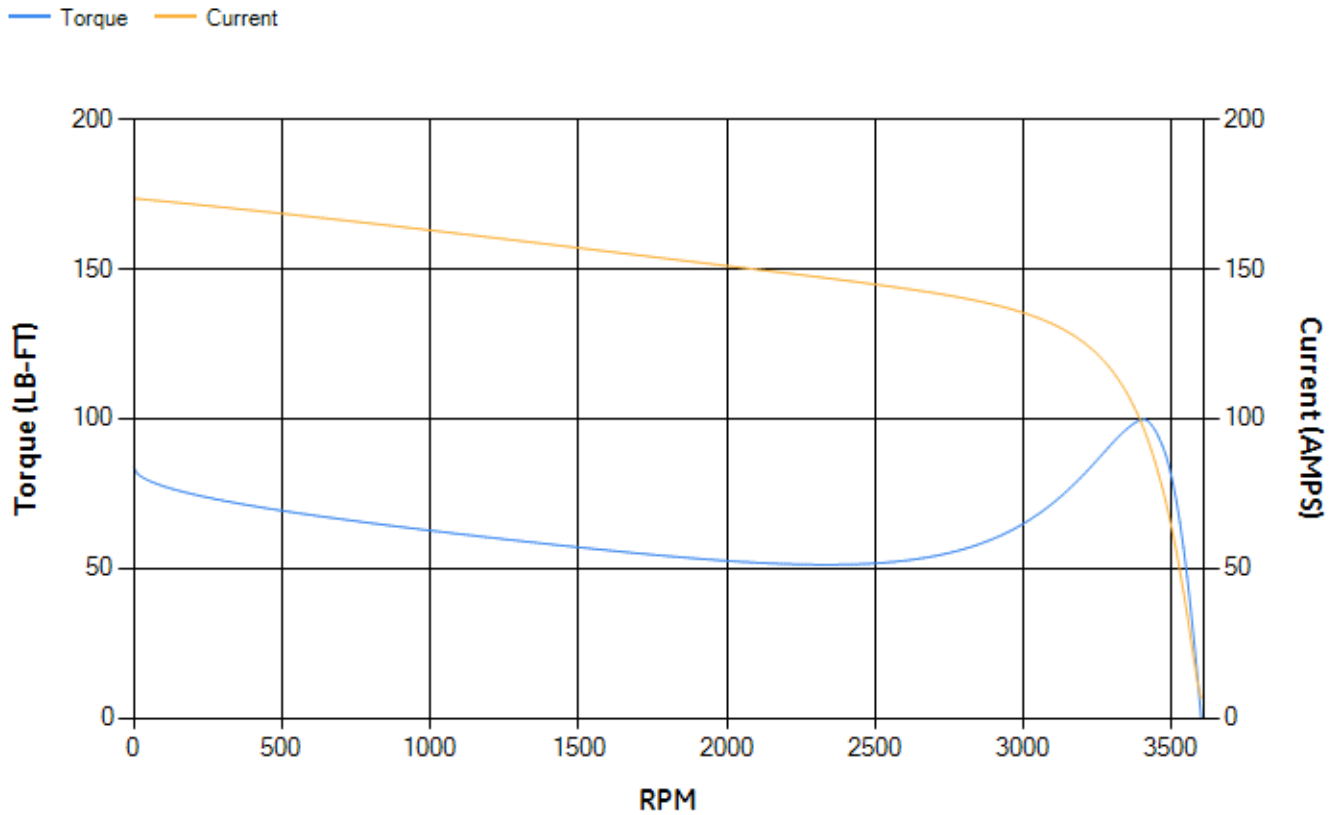
LOAD %	125.0	115.0	100.0	75.0	50.0	25.0	0.0
% EFF	90.58	91.12	92	92.55	92.44	89.45	0.00
% PF	90.9	91.04	90.96	89.6	84.9	68.38	8.73
AMPS	35.52	32.44	27.96	21.16	14.91	9.56	6.61

TORQ(FL)#FT	36.99	TORQ(LR)%FL	226.67	TORQ(BD)%FL	268.66
AMPS(LR)	173.6	PF AT START	0.39		

This motor is capable of two cold or one hot start with a maximum connected load inertia of 79 Lb-Ft Sq (3.33 Kg-meter Sq) at 100% voltage, where the load torque varies with the square of the speed. Acceleration time with maximum inertia and the above load type is 18 seconds. Safe stall time at 100% voltage is 40 seconds cold, 22 seconds hot. Rotor inertia is 2.13 Lb-Ft Sq (0.09 Kg-meter Sq).

Open Circuit A-C:	0.798	Short Circuit D-C:	0.013
Short Circuit A-C:	0.027	X/R Ratio:	4.793
Stator Slots:	48	Rotor Slots:	38

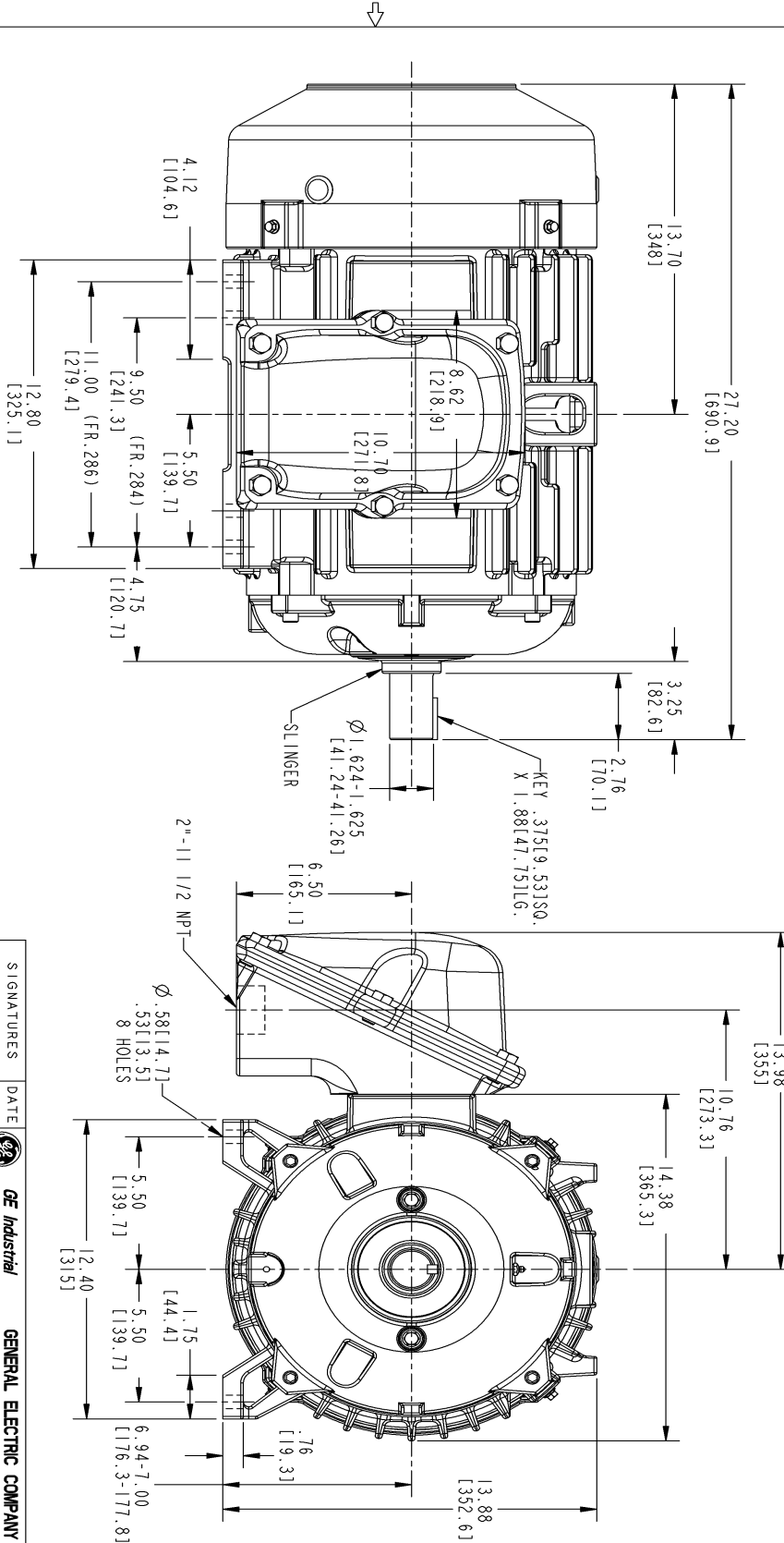
Speed Torque Current Curve (First Connection, First Speed)



NAME:501650421 OBJECT:4002B5828RAP5221 DATE:13-Mar-09 16:49:41

Marks:

NOTE 1: CONDUIT BOX MAY BE ASSEMBLED WITH ENTRANCE UP, DOWN OR TO EITHER SIDE.
 NOTE 2: F1 ASSEMBLY AS SHOWN. F2 ASSEMBLY CONDUIT BOX ON OPPOSITE SIDE FROM SHOWN LOCATION.

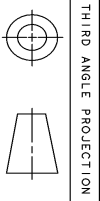


SIZE DRAWING NO. 4002B5828RAP5221

SH 2 REV

REVISIONS

REV.	DESCRIPTION	DATE	APPROVED
1	AS PER ISAC-07-1243	09/07/07	ROOPA
2	ISAC NO.#09-0164 PRADDEP	03/13/09	ADINARAYANA



SIGNATURES	DATE	GE Industrial Systems	GENERAL ELECTRIC COMPANY
DRW	02/02/14		Fort Wayne, Indiana
CHECKED	02/02/14		
ENGR	02/02/14		
ISSUED	02/02/14		
APPLIED PRACTICES			
SIZE DRAWING			
SCALE: 0.250 REF. NO: 4002B5828RAP5221			
SHEET 1 OF 1			

INDUCTION MOTOR OUTLINE
 STANDARD TS EXTENSION
 FNF: FR280TS TFC EXPLOSION PROOF
 4002B5828RAP5221

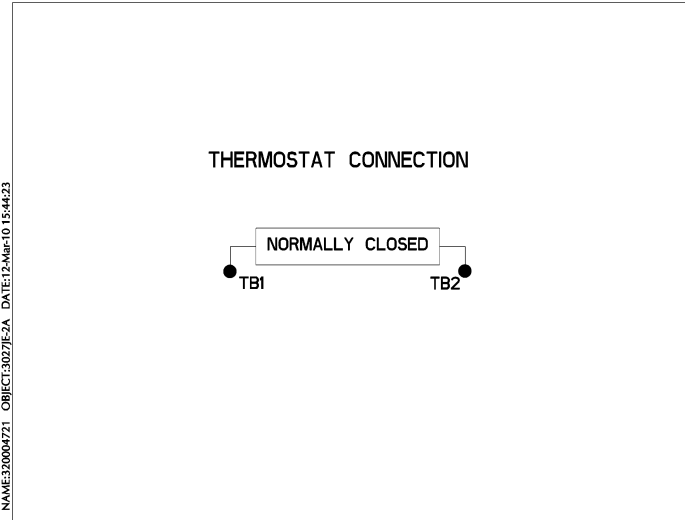
DISTRIBUTION: PMP-18K15

Marks:

Connection Diagram
GEM2034E-FIG9



Thermostat Connection
3027JE-2A



End shield Assembly		
Part Description	DE Side Part#	ODE Side Part#
End Shield	4004D5274PA1	4004D5274SA1
Bearing		
Slinger/Inproseal		

Fan & Fan Cover Assembly	
Part Description	Part#
Fan	159C6704G02
Fan Cover	

Conduit & Accessories Box Assembly	
Part Description	Part#
Conduit Box	4002B5732RA-G01

Mechanical Accessories	
Part Description	Part#
Brake	
Tachometer	

