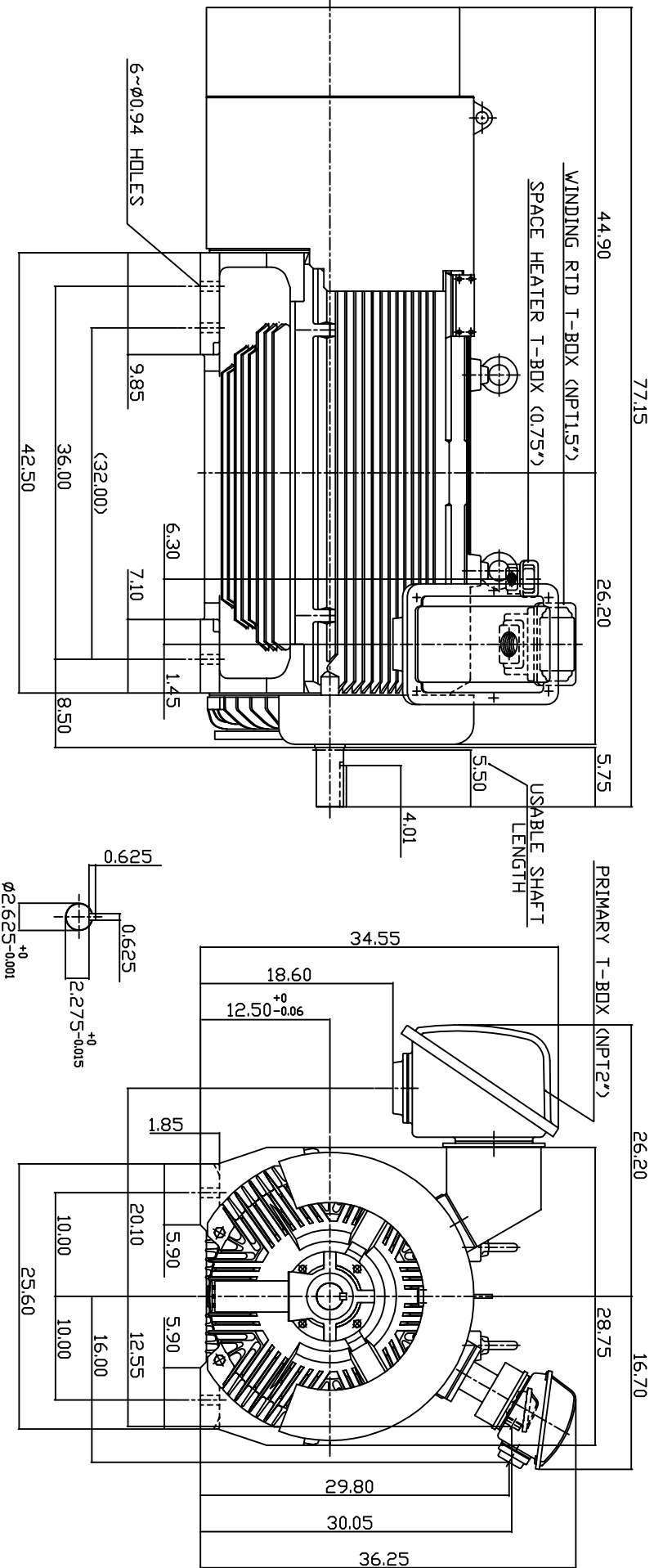


TYPE	OUTPUT		POLE	TIME RATING	VOLTAGE	Hz	SYNSPEED R.P.M
	HP.	KW.					
AEHGTK	450	336	2	CDNT.	2300/4160	60	3600

TOTALLY ENCLOSED FAN-COOLED TYPE, SQUIRREL-CAGE ROTOR



NOTE:

1. DIMENSIONS IN INCH.
2. FRAME NO. 5011A (5010A)
3. F CLASS INSULATION, S.F.1.15
4. FOR DIRECT FLEXIBLE COUPLING
5. WITH SPACE HEATER 120 VOLT SINGLE PHASE 200 WATTS
6. WITH 100 OHM PLATINUM WINDING RTD'S 2/PHASE
7. BEARING SIZE:
DRIVE END: 6315C3
NON-DRIVE END: 6315C3
8. MOTOR APPROX. WEIGHT: 5050 LBS

TV-56C

DWN.	W.LLIN	APR -08 -2003
CHKD.	W.LLIN	APR -08 -2003
APPD.	C.WANG	APR -08 -2003

DATE	MAY 5, 2004	OUTLINE DIMENSIONS
CATALOG NO.	KG4502	
3-PHASE INDUCTION MOTOR		



DWG. NO. 3A040T4491
REV: 00