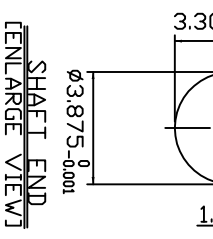
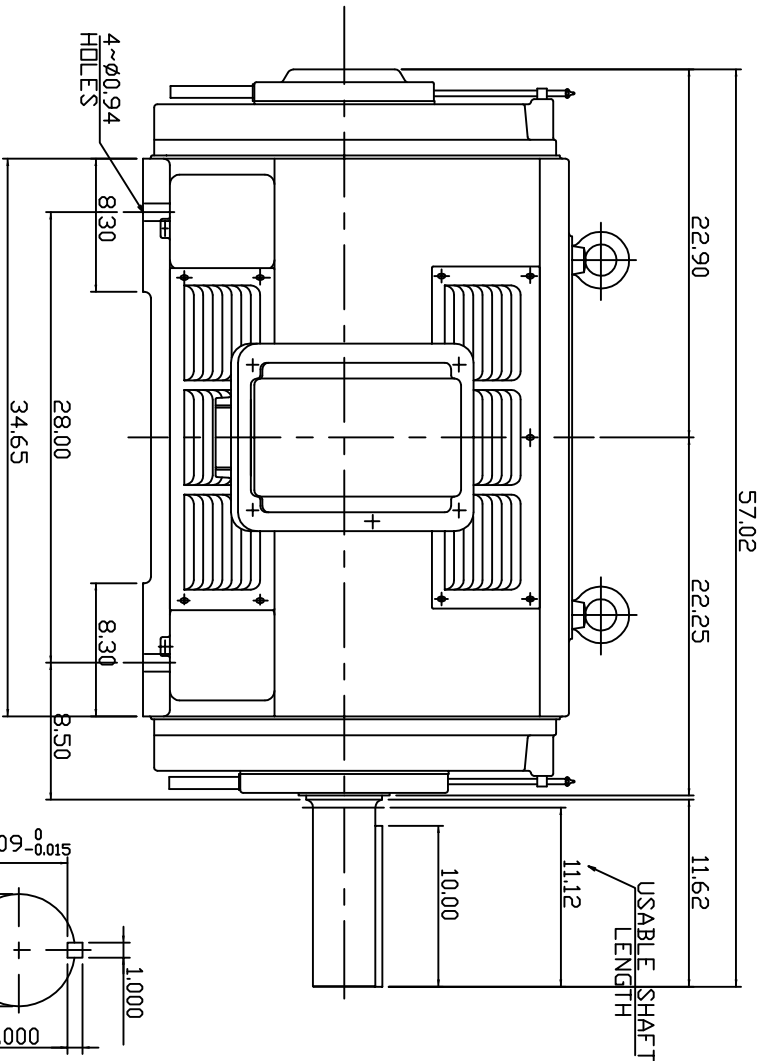
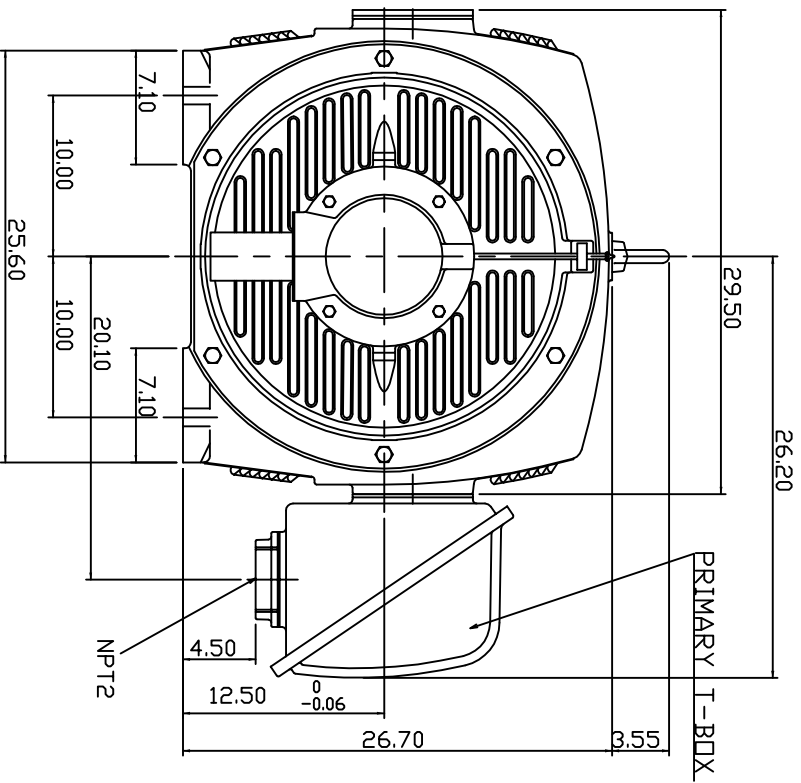


TYPE	OUTPUT		POLE	TIME RATING	VOLTAGE V	Hz	SYN SPEED RPM
	HP.	KW.					
ASHH	350	261	6	CDNT.	460	60	1200

DRIP PROOF TYPE, SQUIRREL-CAGE ROTOR



- NOTE:
 1. DIMENSIONS IN INCH
 2. FRAME NO. 5009B
 3. F CLASS INSULATION
 4. FOR DIRECT FLEXIBLE COUPLING
 5. ENCLOSURE: IP22
 6. BEARING SIZE: DRIVE END 6324
 DPP, DRIVE END 6320
 7. MOTOR APPROX. WEIGHT: 3715 LBS

TW-56C

DATE		OUTLINE DIMENSIONS	
DWN.	HCHEN	JUL -05 -2010	JUL y 9, 2010
CHKD.	W.VENG	JUL -05 -2010	CATALOG NO.
APPD.	T.HSIAD	JUL -05 -2010	DHP3506
TECCO Westinghouse		3-PHASE INDUCTION MOTOR	
DWG. NO. 3A049DTA0013-9		REV. 00	