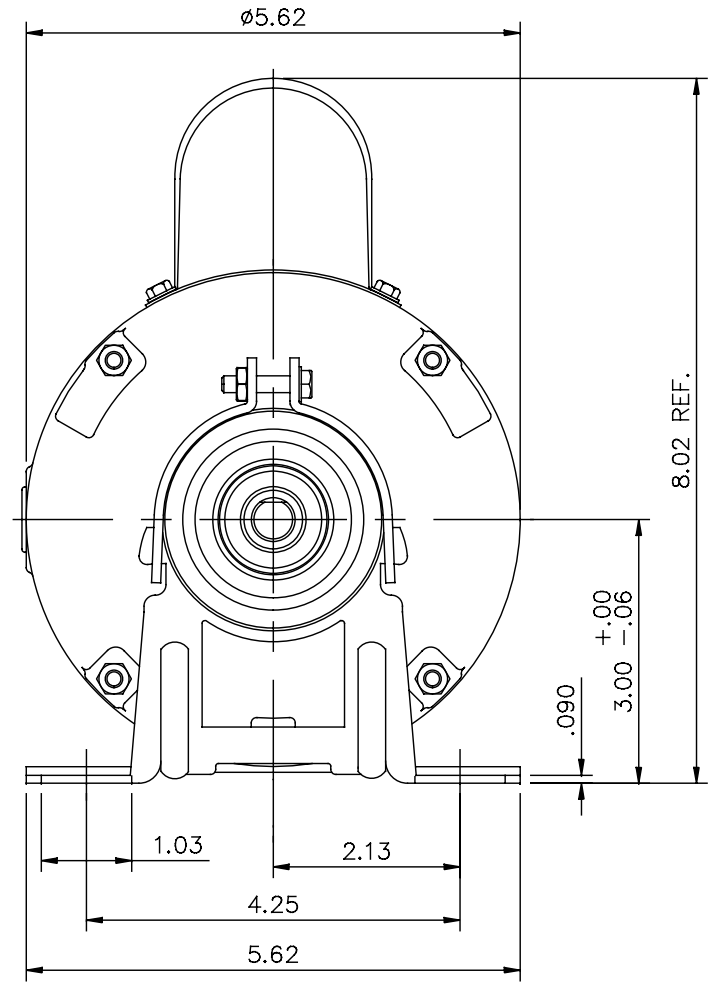
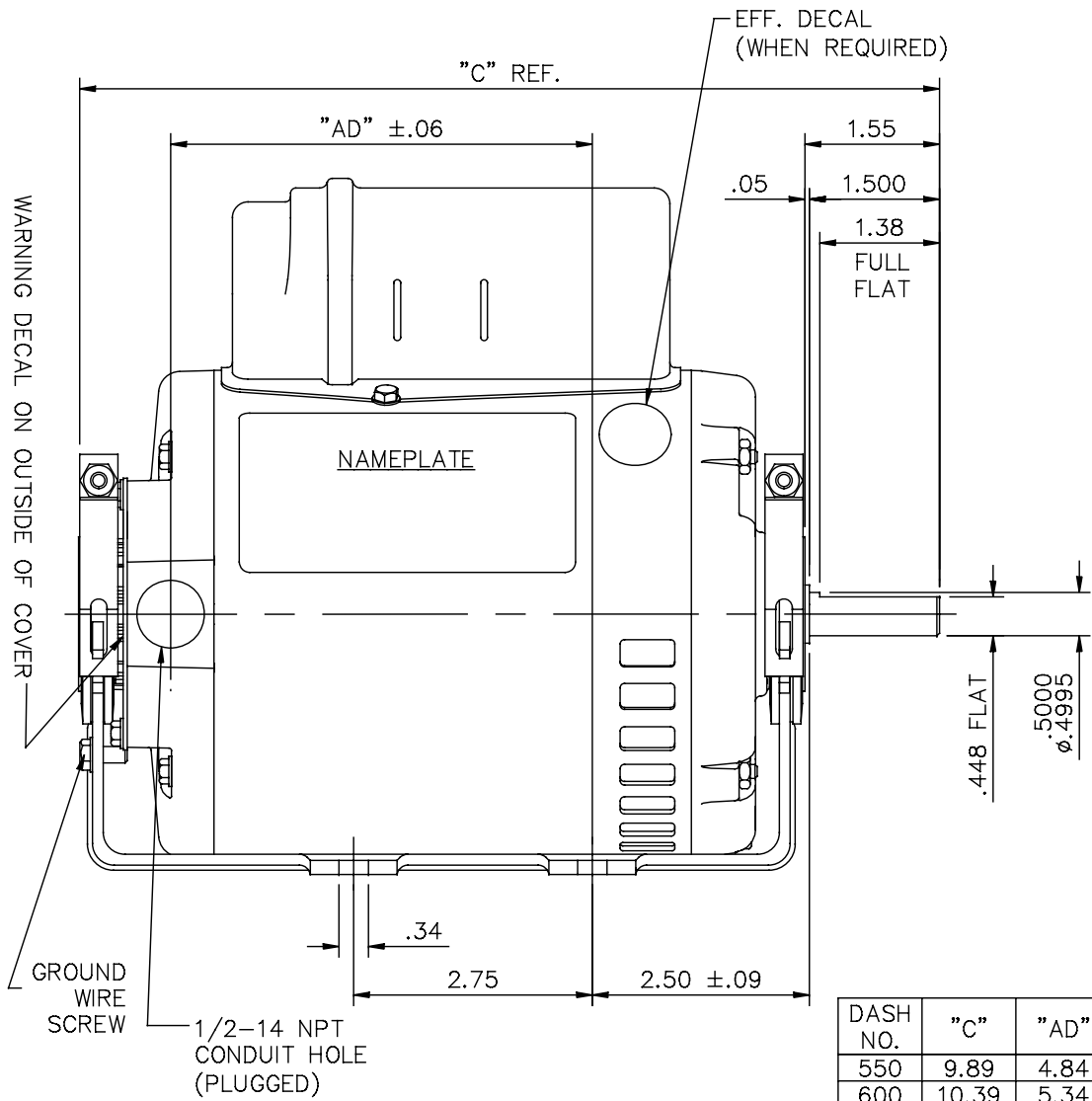


031760



DASH NO.	"C"	"AD"
550	9.89	4.84
600	10.39	5.34
650	10.89	5.84

				TOLERANCES UNLESS SPECIFIED		REGAL-BELOIT <i>Motor Technologies Group</i>		DRAWN PG 2/20/04		
				DEC.	INCHES	TITLE OUTLINE - 48 FRAME RESILIENT MOUNT - DRIP PROOF		CHK		
				.X	±.1			APPD		
				.XX	±.03			SCALE 1=2		
				.XXX	±.005			REF 030761		
				.XXXX	±.0005	MAT'L 1 PHASE		FMF 101405.00		
				ANG	±1/2°	FINISH STANDARD		PREV		
01	UPDATED WITH OUTER COVER, GROUND SECREW AND EFF DECALS	SL	10/20/15	JD						
NO.	REVISION	BY & DATE	CHK	ANG	RFP	CAD FILE	031760	SIZE	DRAWING NO.	REV.
THIS DRAWING IN DESIGN AND DETAIL IS OUR PROPERTY AND MUST NOT BE USED EXCEPT IN CONNECTION WITH OUR WORK ALL RIGHTS OF DESIGN AND INVENTION ARE RESERVED THIS IS AN ELECTRONICALLY GENERATED DOCUMENT - DO NOT SCALE THIS PRINT						DIST		A	031760	