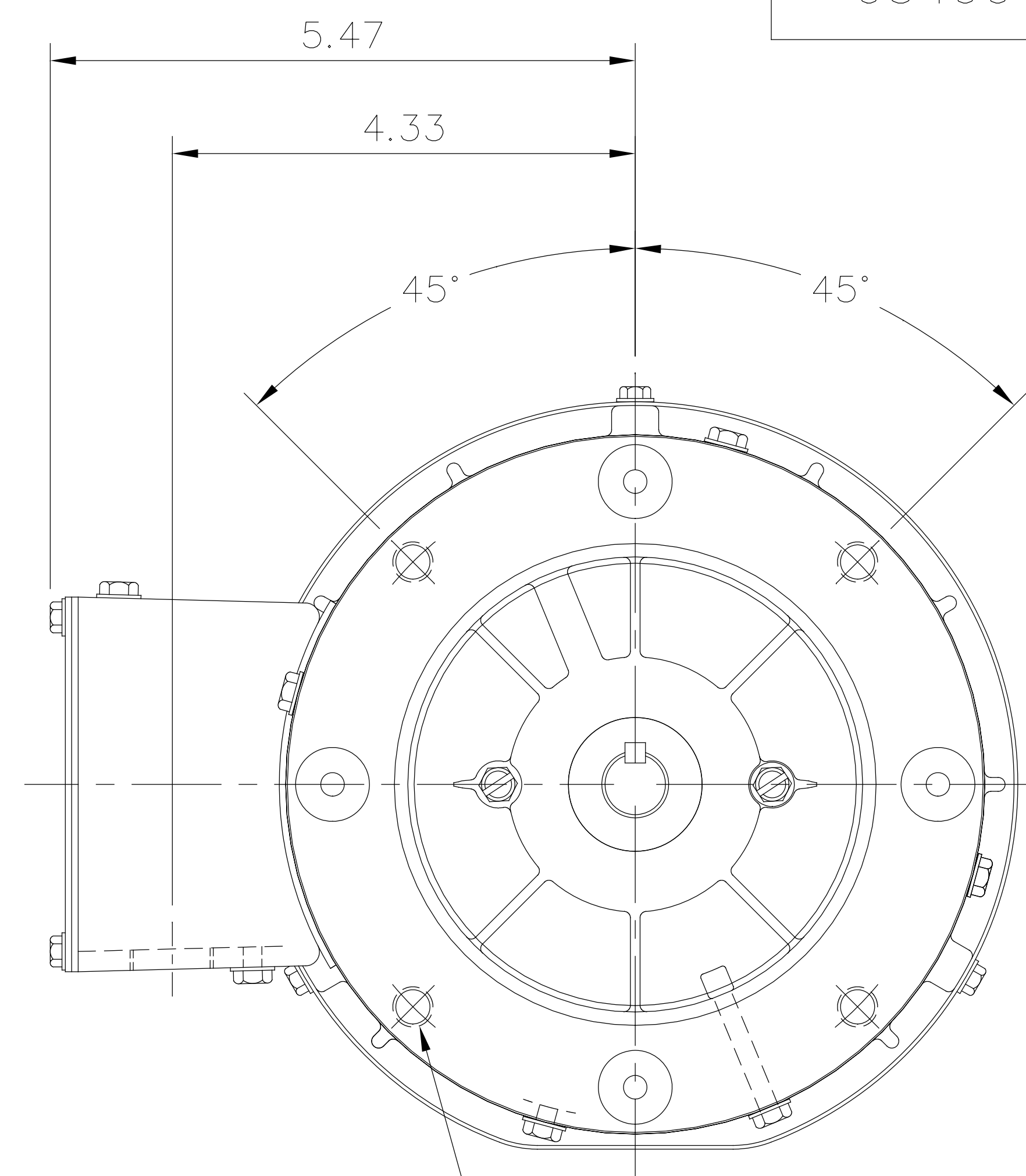
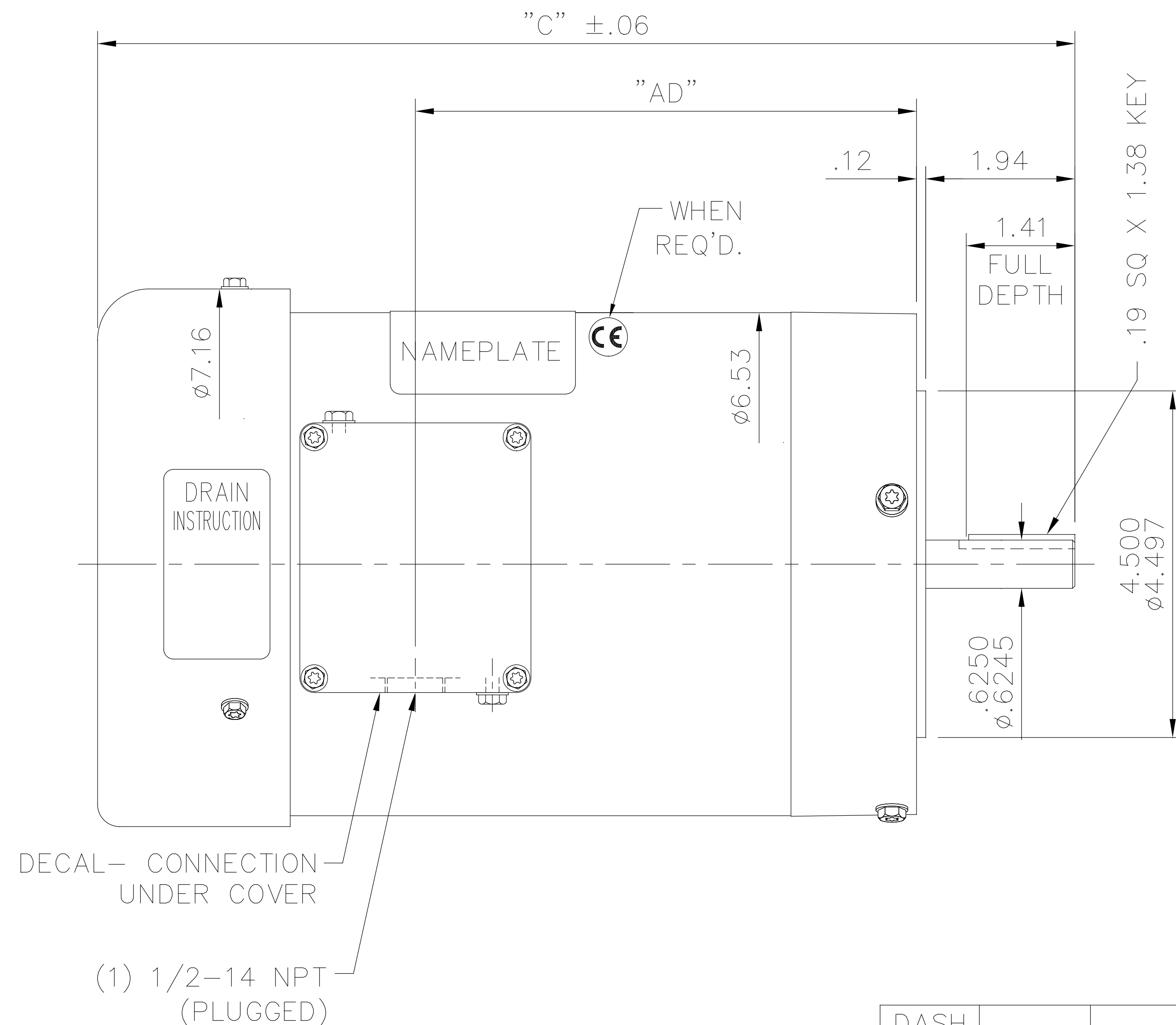


034994ME



(4) 3/8-16 UNC-2B X .56 DEEP ON A 0.5875 B.C.

SPECIAL FEATURES:

- 1) SHAFT SEALS & V-RING
- 2) DRAIN HOLES IN BOTH ENDBELLS & CONDUIT BOX
- 3) GASKETS THROUGHOUT
- 4) STAINLESS STEEL SHAFT, HARDWARE & NAMEPLATE

DASH NO.	"C"	"AD"
450	10.69	4.50
500	11.19	5.00
550	11.69	5.50
600	12.19	6.00
650	12.69	6.50
700	13.19	7.00

MAXIMUM FACE RUNOUT .004 T.I.R.
 MAXIMUM PILOT ECCENTRICITY .004 T.I.R.
 PERMISSIBLE SHAFT RUNOUT .002 T.I.R.

ORACLE REV
02

		TOLERANCES UNLESS SPECIFIED		MARATHON ELECTRIC		DRAWN RLW 1/19/05	
		DEC.	INCHES	TITLE OUTLINE - 56C FRAME TEFC - "C" FACE		CHK RW 11/29/05	
		.X	±.1			APPD KH 1/19/05	
		.XX	±.03			SCALE 3=8	
		.XXX	±.005			REF	
F	ADDED DRAIN SCREWS PER ECO-0125132	ARV	6/13/17	SK	.XXXX	±.0005	MAT'L.
NO.	REVISION	BY & DATE	CHK	ANG	±1/2°		FINISH
THIS DRAWING IN DESIGN AND DETAIL IS OUR PROPERTY AND MUST NOT BE USED EXCEPT IN CONNECTION WITH OUR WORK ALL RIGHTS OF DESIGN AND INVENTION ARE RESERVED THIS IS AN ELECTRONICALLY GENERATED DOCUMENT - DO NOT SCALE THIS PRINT				RFP	CAD FILE	034994ME	SIZE A
				DIST	DRAWING NO.		REV.
						034994ME	F