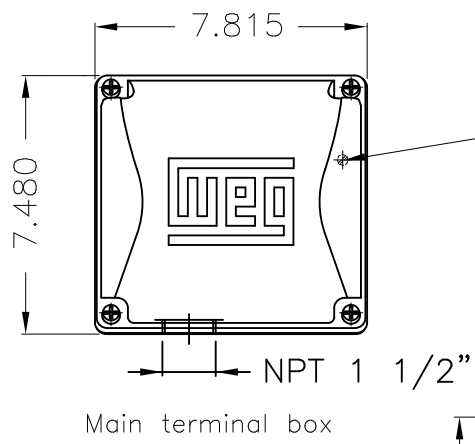
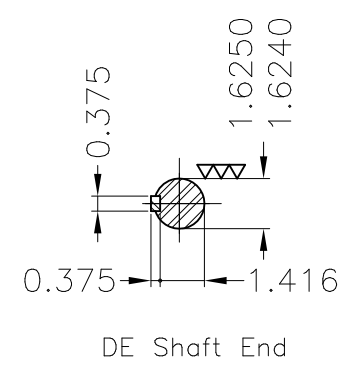
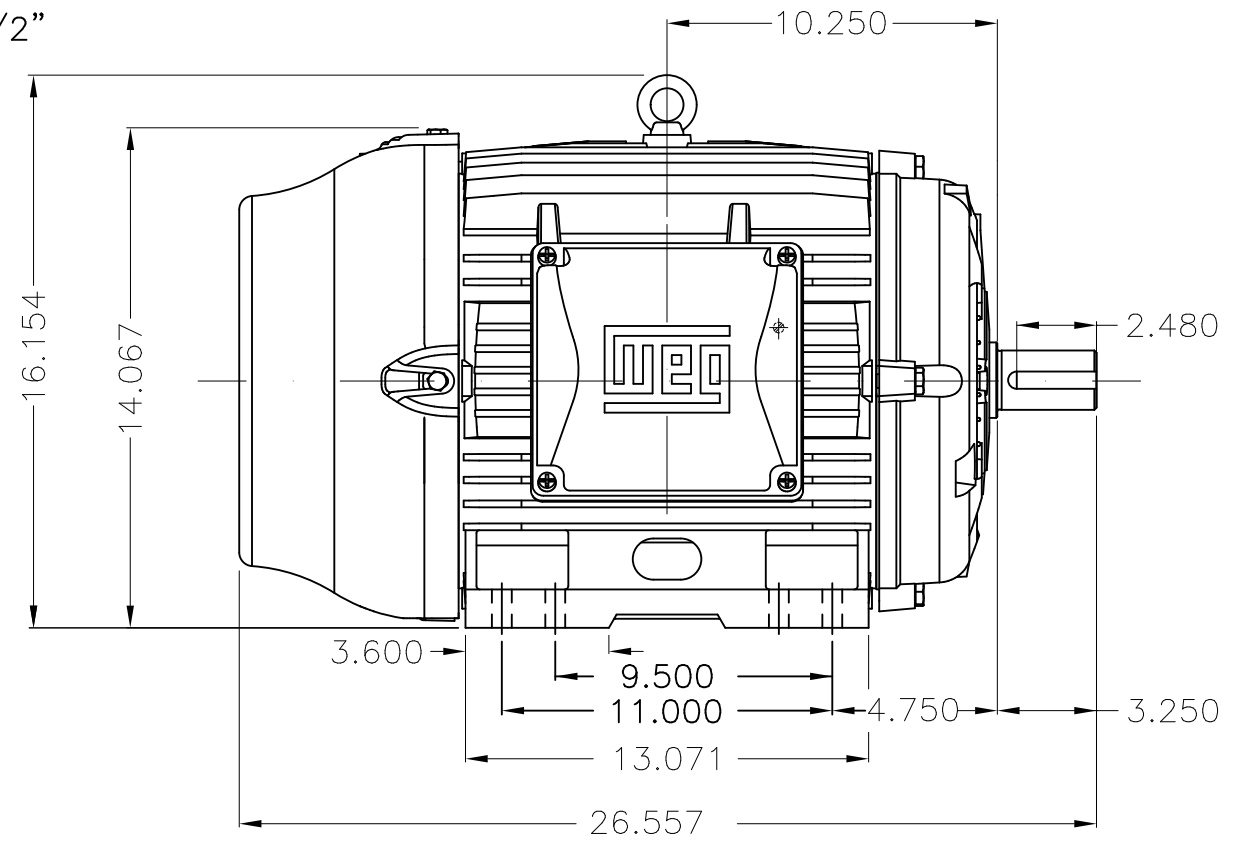
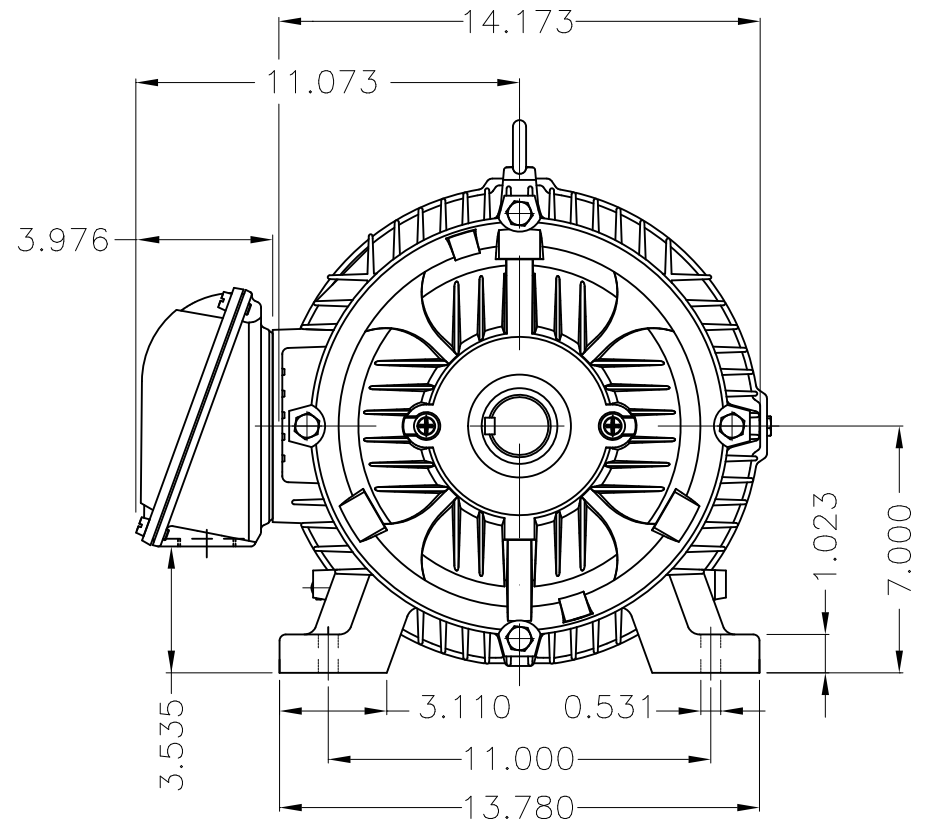


Dimensões em polegada  
Dimensions in inches

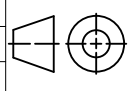
THIS IS AN UPDATED REVISION, THE  
PREVIOUS ONE MUST BE DISREGARDED.



Grounding for leads 5.2–25 mm<sup>2</sup> / 10–4 AWG



Color RAL 6002  
Painting plan 203A  
Mounting B3R(D)

ECM	LOC	SUMMARY OF MODIFICATIONS			EXECUTED	CHECKED	RELEASED	DATE	VER
EXECUTED	USERADMIN	 THREE PHASE W22 MOTOR-SUPER PREMIUM EFF FRAME 284/6TS IP55 TEFC WEG code: 11792396							
CHECKED									
RELEASED									
REL DT	24.07.2017	WMO	Jaragua do Sul	Product Engineering	SHEET	1 / 1			

30 HP 02 Poles 60Hz

A

