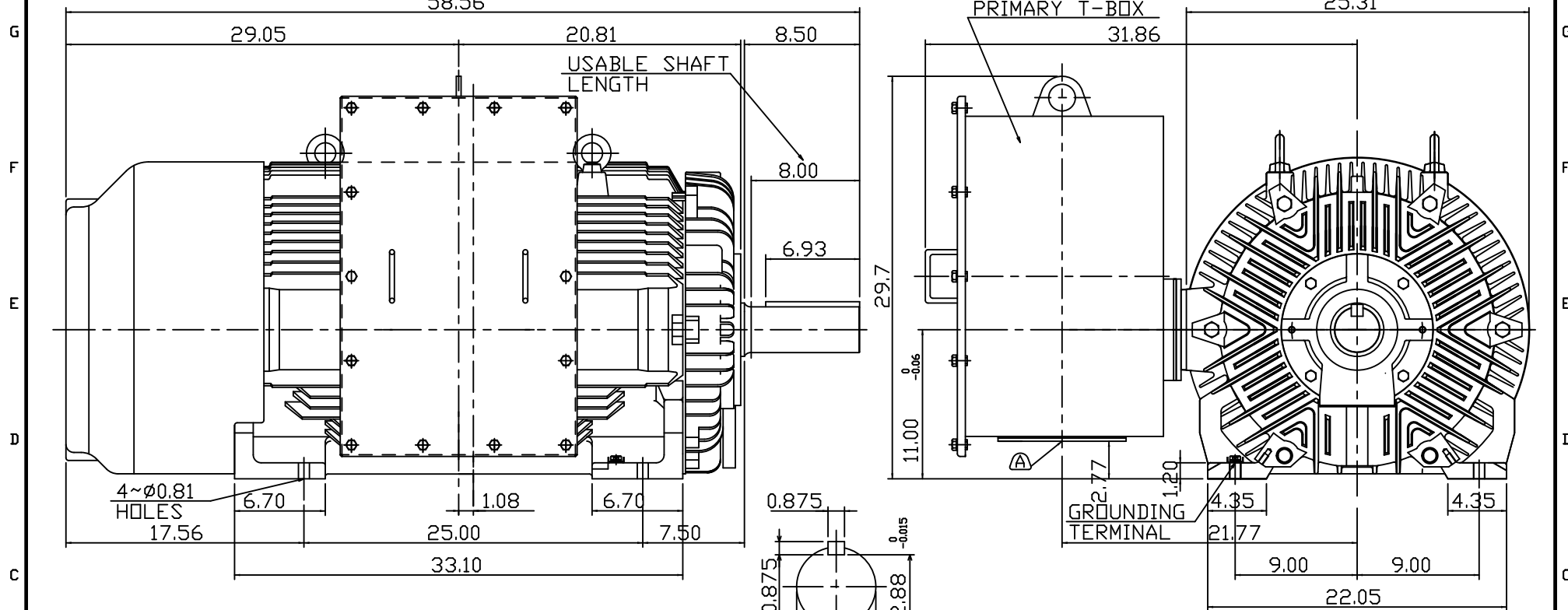


11 10 9 8 7 6 5 4 3 2 1

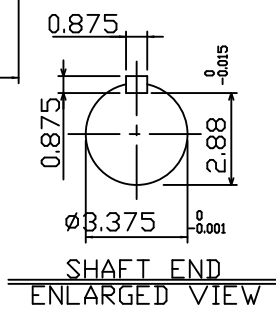
| TYPE | OUTPUT | | POLE | TIME RATING | VOLTAGE V | Hz | SYN.SPEED R.P.M |
|--------|--------|-----|------|-------------|-----------|----|-----------------|
| | HP | KW | | | | | |
| AEHH8B | 350 | 261 | 4 | CONT. | 460 | 60 | 1800 |

TOTALLY ENCLOSED FAN-COOLED TYPE, SQUIRREL-CAGE ROTOR



NOTE:

1. DIMENSIONS IN INCH.
2. FRAME NO. 449T
3. F CLASS INSULATION, S.F.1.15
4. FOR DIRECT FLEXIBLE COUPLING.
5. BEARING SIZE: DRIVE END: 6320
NON-DRIVE END: 6316
6. MOTOR APPROX. WEIGHT: 3350 LBS
7. ENCLOSURE: IP55
8. INPRO SEAL ON BOTH ENDS.
9. NON-SPARKING FAN.
10. NOISE BELOW 83 DBA AT 1 METER AT NO LOAD.
11. VIBRATION VERTICAL/HORIZONTAL BELOW 0.08 IN/SEC
AXIAL BELOW 0.06 IN/SEC.



△ REMOVABLE COVER FOR CABLE ENTRY TO BE DRILLED BY THE CUSTOMER.

| | | | |
|-------------------|--------------|-------------------------|--------|
| DATE | NOV. 7, 2014 | OUTLINE DIMENSIONS | |
| CATALOG# | HB3504 | 3-PHASE INDUCTION MOTOR | |
| TECO Westinghouse | | DWG NO. | REV:00 |
| | | 31057C454980 | |

| | | |
|--------|----------|-------------|
| R.S.V. | C.RAM | NOV-7-2014 |
| DWN. | C.H.SHYU | SEP-14-2013 |
| CHKD. | K.L.KOU | SEP-14-2013 |
| APPD. | S.H.LIN | SEP-14-2013 |

第三角法

11 10 9 8 7 6 5 4 3 2 1