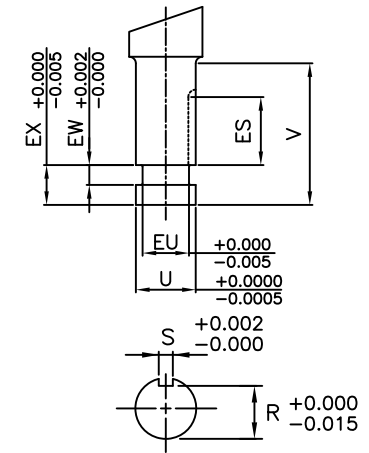
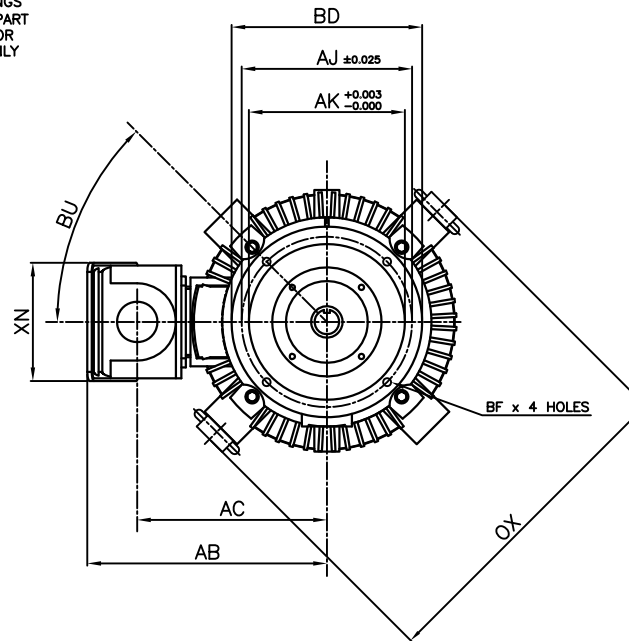


NOTE:
LIFTING RINGS
(2) 180° APART
FOR MOTOR
LIFTING ONLY



- NOTES:
1. DIMENSION V REPRESENTS LENGTH OF STRAIGHT PART OF SHAFT
 2. MAIN CONDUIT BOX MAY BE ROTATED IN 90° INCREMENTS
 3. KEY DIMENSIONS EQUAL S x S x ES (MOTOR SUPPLIED WITH KEY)
 4. MOTOR WEIGHT SHOWN IS MAXIMUM HORSEPOWER IN FRAME
 5. STANDARD PRODUCT USE BI-DIRECTIONAL FAN. OPPOSITE ROTATION AVAILABLE ONLY BY CONNECTION CHANGE

UNITS: INCHES

FRAME SIZE	MOTOR DIMENSIONS					P-FLANGE DIMENSIONS								SHAFT EXTENSION DIMENSIONS									
	AG	C	P	OX	BU	BB	BE	BF	BD	BV	AK	AJ	AH	EU	U	V	R	S	ES	EW	EX		
440HP16	58.3	62.8	22.2	28.8	45°	0.25	1.2	0.69	16.5	24.0	13.50	14.75	4.50	1.75	2.125	4.50	1.845	0.500	3.03	0.375	0.75		
440HP20	58.3	62.8	22.2	28.8	45°	0.25	1.2	0.69	20.0	24.0	13.50	14.75	4.50	1.75	2.125	4.50	1.845	0.500	3.03	0.375	0.75		
440HP24	58.3	62.8	22.2	28.8	45°	0.25	1.2	0.69	24.0	24.0	13.50	14.75	4.50	1.75	2.125	4.50	1.845	0.500	3.03	0.375	0.75		
440LP16	58.3	62.8	22.2	28.8	45°	0.25	1.2	0.69	16.5	24.0	13.50	14.75	4.50	1.75	2.125	4.50	1.845	0.500	3.03	0.375	0.75		
440LP20	58.3	62.8	22.2	28.8	45°	0.25	1.2	0.69	20.0	24.0	13.50	14.75	4.50	1.75	2.125	4.50	1.845	0.500	3.03	0.375	0.75		
440LP24	58.3	62.8	22.2	28.8	45°	0.25	1.2	0.69	24.0	24.0	13.50	14.75	4.50	1.75	2.125	4.50	1.845	0.500	3.03	0.375	0.75		

AA [NPT]	CONDUIT BOX DIMENSIONS						MAXIMUM WEIGHT
	AB	AC	AF	XL	XN		
3.00	20.8	16.5	9.2	15.2	10.3	2500 lbs.	

FRAME SIZE	BEARINGS	
	LS	OS
2 POLE HP	6313C3	6314C3
2 POLE LP	6313C3	7314BEGAM x 2
4~8 POLE HP	6318C3	6314C3
4~8 POLE LP	6318C3	7314BEGAM x 2

CUSTOMER: _____ MOTOR MODEL NO.: _____

P.O. NO.: _____ HP: _____ VOLTAGE: _____ RPM(SYN.): _____ Hz: _____

FRAME SIZE: _____ PRODUCT TYPE: VERTICAL SOLID SHAFT ROUND BODY P-FLANGE

COMMENTS: _____

PER: _____ DATE: _____

TAG NO's: _____

STANDARD (NO AUX. BOXES)

RTD AUX. BOX

SPACE HEATER AUX. BOX

BEARING RTD's

TOSHIBA RESERVES THE RIGHT TO MAKE CHANGES OF TECHNICAL IMPROVEMENT AND THE DATA MAY CHANGE WITHOUT NOTICE PRELIMINARY

DO NOT USE FOR CONSTRUCTION, INSTALLATION, OR APPLICATION PURPOSES UNLESS THE DRAWING IS MARKED AS CERTIFIED CERTIFIED

TOSHIBA

TOSHIBA INTERNATIONAL CORPORATION

TOTALLY-ENCLOSED FAN-COOLED
VERTICAL SOLID SHAFT ROUND BODY P-FLANGE
3 PHASE INDUCTION MOTOR
F1 ASSEMBLY

XT SERIES

VISIT OUR WEBSITE AT:
www.toshiba.com/ind