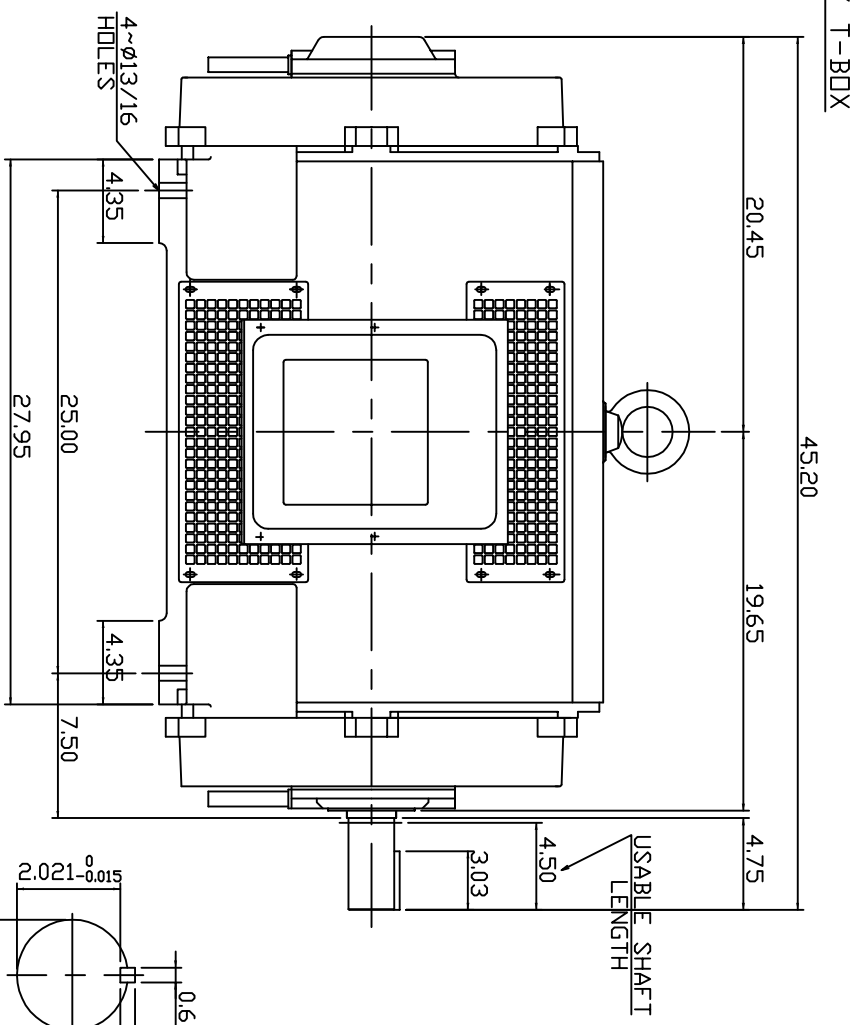
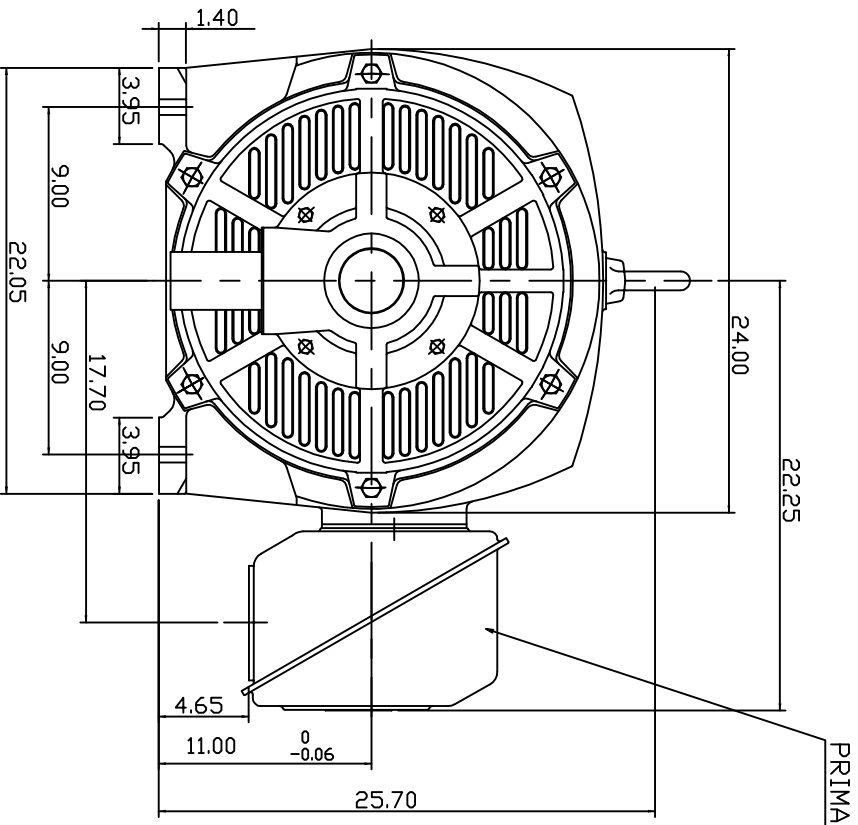


TYPE	OUTPUT		POLE	TIME RATING	VOLTAGE V	Hz	SYN SPEED R.P.M
	HP.	KW.					
ASHH	500	373	2	CDNT.	460	60	3600

DRIP PROOF TYPE, SQUIRREL-CAGE ROTOR



- NOTE:
 1. DIMENSIONS IN INCH
 2. FRAME NO. 449TS
 3. F CLASS INSULATION
 4. FOR DIRECT FLEXIBLE COUPLING
 5. ENCLASURE: IP22
 6. BEARING SIZE: DPP, DRIVE END 6315C3
 7. MOTOR APPRDX. WEIGHT: 2225 LBS

PRIMARY T-BOX

USABLE SHAFT LENGTH

SHAFT END
 [ENLARGE VIEW]

DATE		OUTLINE DIMENSIONS	
JUL 9, 2010	CATALOG NO. DHP5002	3-PHASE INDUCTION MOTOR	

DWN.	HCHEN	JUL -05 -2010
CHKD.	W.V/ENG	JUL -05 -2010
APPD.	T.H/STAD	JUL -05 -2010

TEC Westinghouse
 DWG NO. 3A049DTA0013-4
 REV: 00

TB-56SC