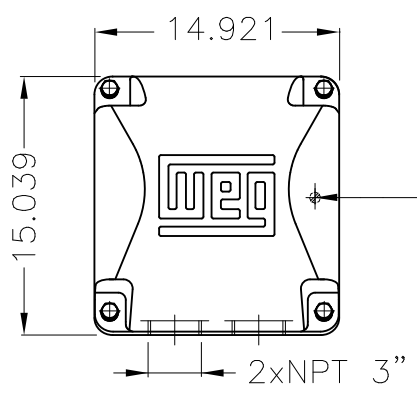
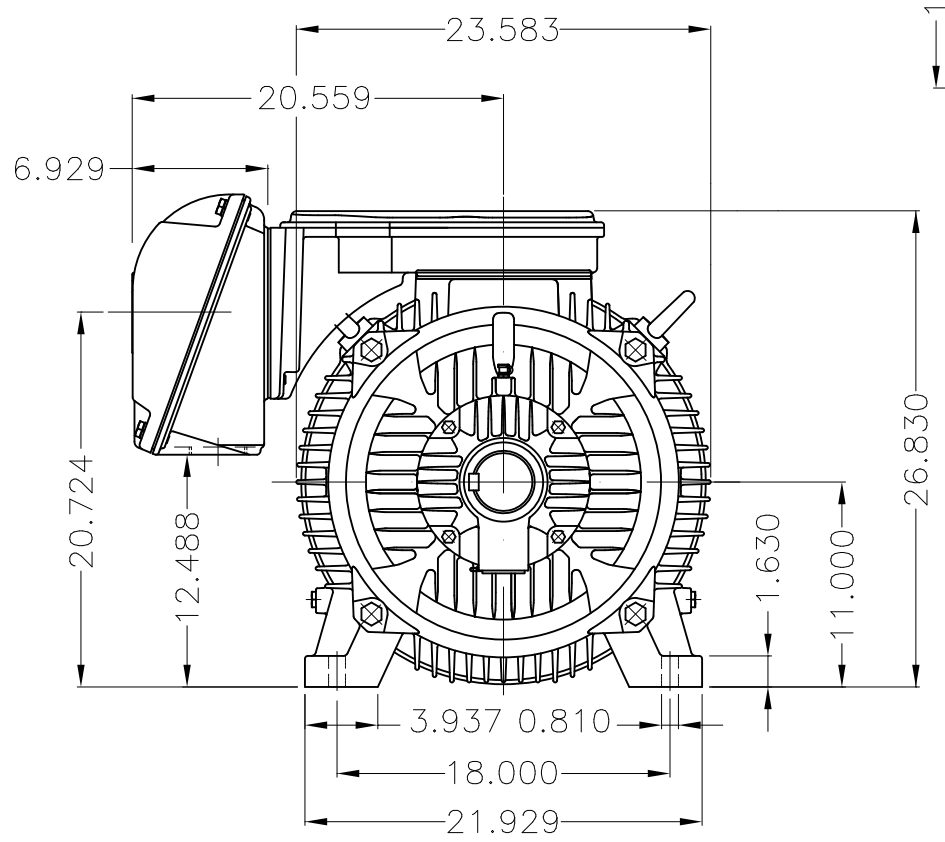


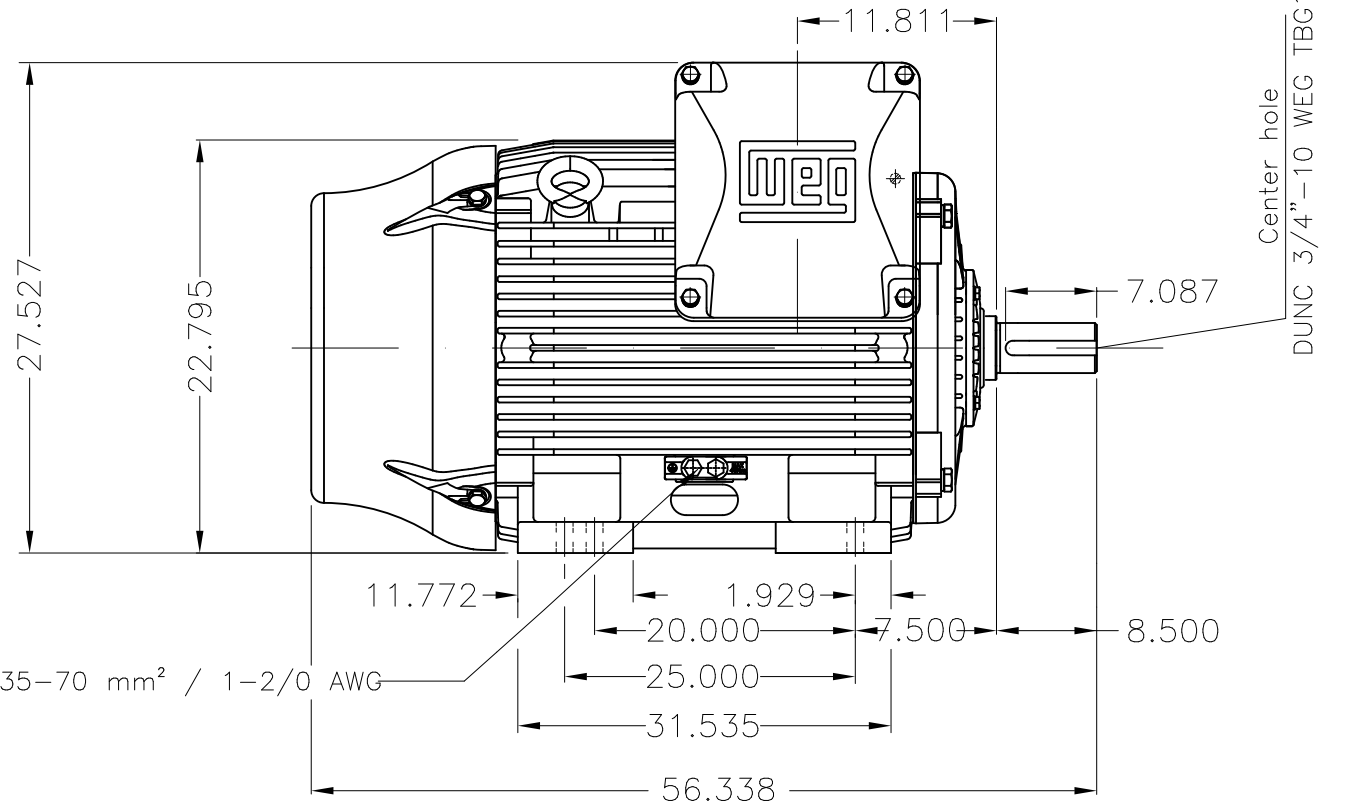
Dimensões em polegada  
Dimensions in inches

THIS IS AN UPDATED REVISION, THE  
PREVIOUS ONE MUST BE DISREGARDED.

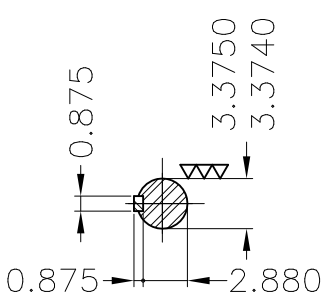
A  
B  
C  
D  
E



Main terminal box



Grounding for leads 35-70 mm<sup>2</sup> / 1-2/0 AWG



DE Shaft End

Color RAL 5009  
Painting plan 203A  
Mounting B3R(D)

ECM	LOC	SUMMARY OF MODIFICATIONS			EXECUTED	CHECKED	RELEASED	DATE	VER
EXECUTED	USERADMIN		THREE PHASE W22 MOTOR - NEMA PREMIUM EFF						
CHECKED			FRAME 447/9T IP55 TEFC						
RELEASED			WEG code: 12274751						
REL DT	24.07.2017	WMO	Jaragua do Sul	Product Engineering	SHEET	1 / 1			

250 HP 06 Poles 60Hz

A

