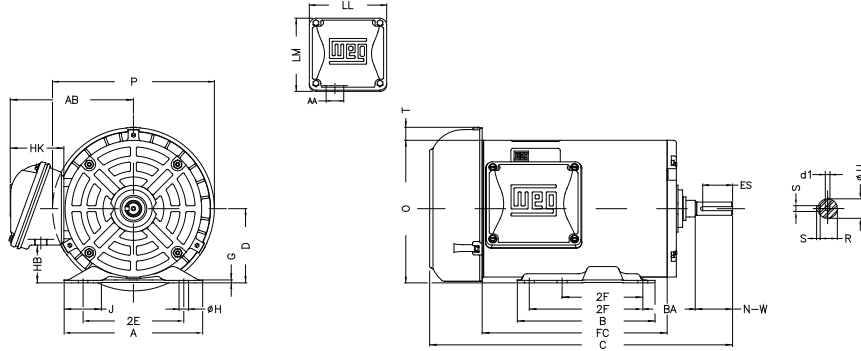


W01 Rolled Steel 56 Frame Three Phase Motors

TEFC - Mechanical Data



NEMA Frame	2E	2F	A	AB	B	BA	D	HB	HK	Hole H	J	LL	LM	O	P	T	Shaft end					Bearings		
																	d1	ES	N-W	R	S	U	D.E.	N.D.E.
56	4.874	3.000	6.535	5.873	4.016	2.750	3.500	1.784	2.629	0.343	1.734	4.563	4.090	6.723	7.638	0.604	A 3.15	1.417	1.874	0.517	0.187	0.625	6203ZZ	6202ZZ
56H		3.000/5.000			6.496						1.593												6204ZZ	

NEMA Frame	Output		Poles	C	FC
	HP	KW			
56	0.25	0.18	2	11.142	5.512
			4	11.535	5.906
			6	11.142	5.512
	0.33	0.25	2	11.535	5.906
			4	11.929	6.299
			6	11.535	5.906
0.5	0.37	2	11.929	6.299	
		4	12.323	6.693	
		6	11.535	5.906	
0.75	0.55	2	11.929	6.299	
		4	12.717	7.087	
		6	11.929	6.299	
56H	1	0.75	2	12.323	6.693
4			13.504	7.874	
6			12.323	6.693	
56H	1.5	1.1	2	13.110	7.480
			4	13.504	7.874
			6	13.898	8.268
56H	2	1.5	2		
			4		
			6		
56H	3	2.2	2		
			6		

"C" Flange Dimensions							
Frame	BA	Flange					
		AJ	AK	BB	BD	BF	AH
56C	2.750	5.874	4.500	0.157	6.028	UNC 3/8"x16	2.062
56HC							

