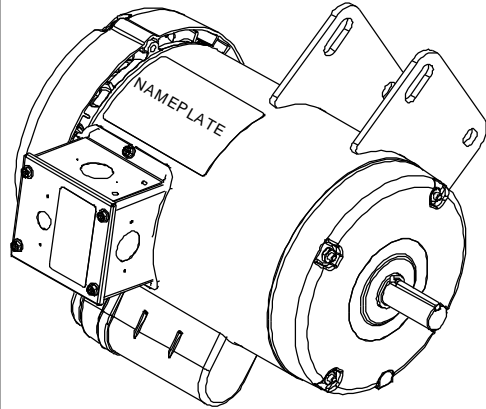
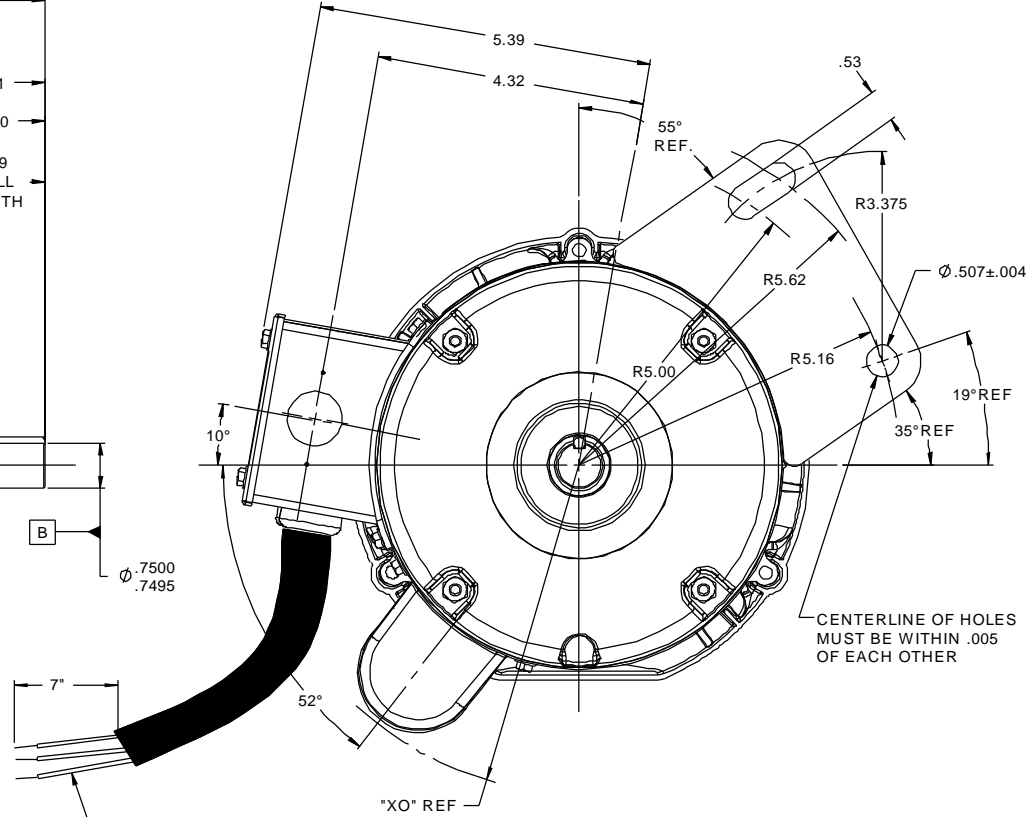
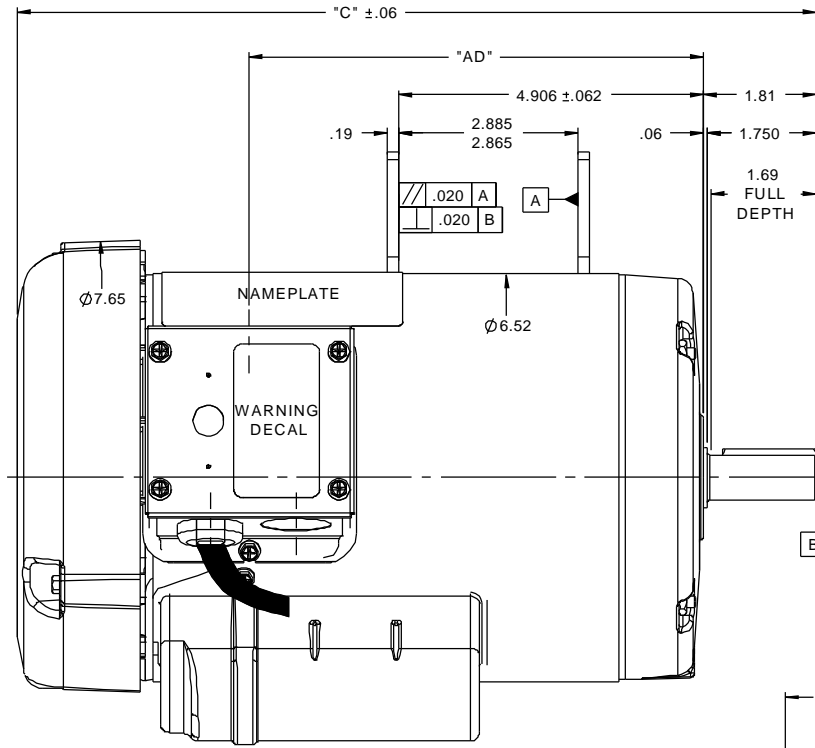


RBC PROPRIETARY AND CONFIDENTIAL INFORMATION
 This document is the property of REGAL BELOIT CORPORATION ("RBC") including its subsidiaries and divisions and contains proprietary information of RBC. This document is loaned on the express condition that neither it nor the information contained therein shall be disclosed to others without the express written consent of RBC, and that the information shall be used by the recipient only as approved expressly by RBC. This document shall be returned to RBC upon its request. This document may be subject to certain restrictions under U.S. export control laws and regulations.



DASH NO.	"C"	"AD"	CAP DASH.	"XO"
700	12.36	6.74	A	5.17
750	12.86	7.24	B	5.55
			C	5.81

#14-3 TYPE SJOW/SJOOW
 300 VOLT CORD
 50" LONG MIN

NOTES:
 GASKETS THROUGHOUT

TOLERANCES UNLESS SPECIFIED		DEC INCHES		TITLE	ELECTRIC MOTORS GEARMOTORS AND DRIVES	DRAWN GRB 12/08/08
XX	±.03	XXX	±.005			
				TEFC - SPECIAL MOUNT <td></td> <td>APPR DJ 12/08/08</td>		APPR DJ 12/08/08
				MAT'L CONTRACTOR'S SAW <td></td> <td>SCALE 1:2</td>		SCALE 1:2
01	DIMENSIONED BASE HOLE ECR 0041996		GS 8/26/13			REF 028635
				FINISH		FMF 120925.00
				±.730"		PAGE 1 OF 1
				RFP 12/08/08		REV
				PREV		SIZE B
				NETWORK FILE NAME 028924		DRAWING NO 028924
						REV 01

