

GENERAL INFORMATION:

SHAFT RUNOUT: .001[.03] T.I.R. PER INCH LENGTH OF EXTENSION

BEARINGS: BALL

MOUNTING POSITION: HORIZONTAL

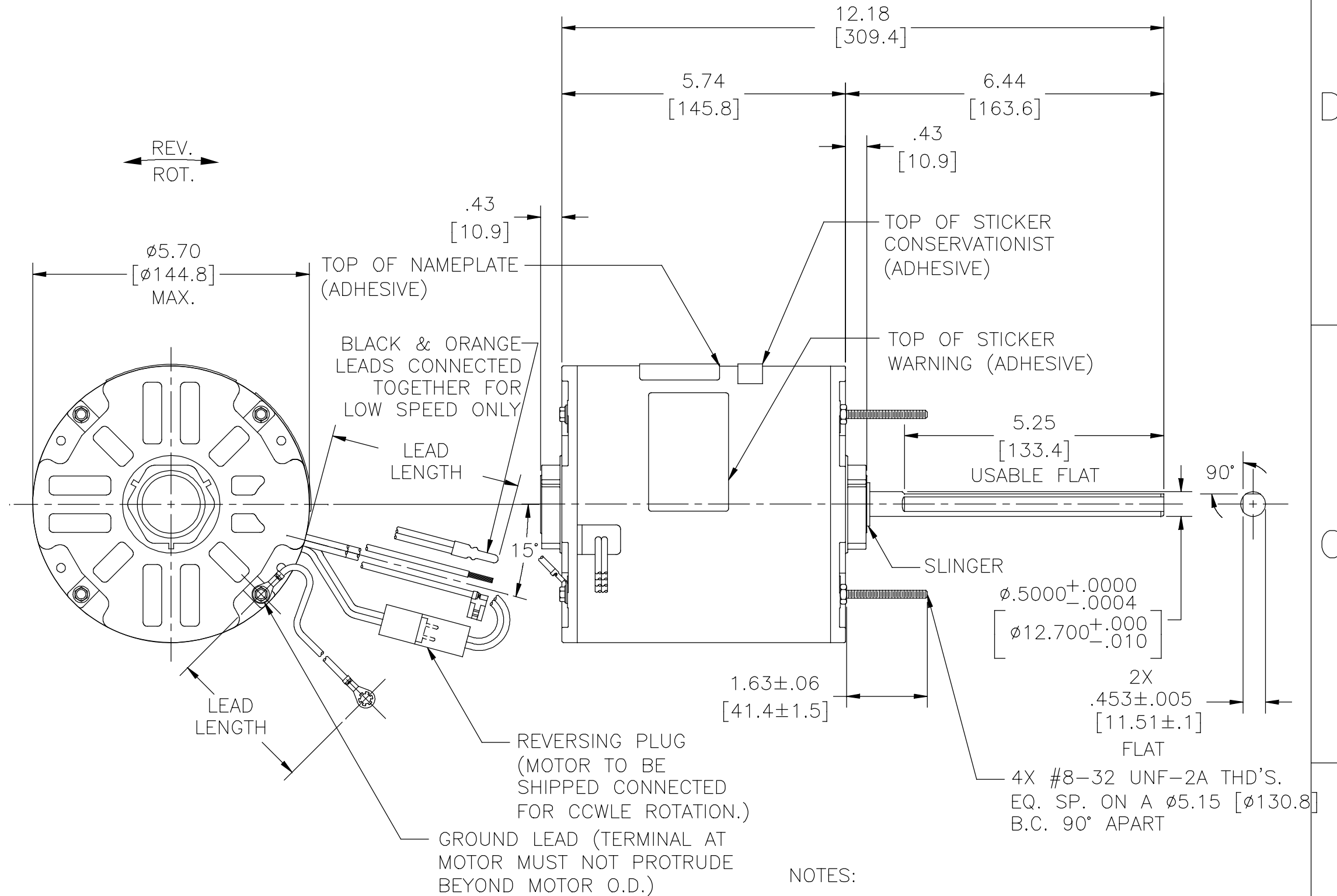
ELECTRICAL DATA:

OVERLOAD PROTECTOR: AUTOMATIC RESET (SENSATA 7AM 036)

LEADS: NO. 18 GA., .06[1.5] THK. PVC 105°C INSUL.

REVERSING PLUGS: NO. 18 GA., .03[.8] THK. XLP 125°C INSUL.

GROUND LEAD: NO. 18 GA., .03[.8] THK. (GREEN) INSUL.



- NOTES:
- (1) CAPACITOR 628316-317 TO BE PACKED SEPARATE WITH EACH MOTOR.
 - DISTRIBUTION SERVICE CUST. P/N: BDH1076 GRAINGER CUST. P/N: 4MB97.

| NAMEPLATE DATA: | EXTERNAL CONNECTION DIAGRAM |
|--|-----------------------------|
| MODEL NO.: F48U70A01 CUST. P/N: SEE NOTE 2 HP: 3/4 ROT.: REVERSIBLE RPM: 1075/2 SPD. TYPE: UF FRAME: 48Y VOLTS: 460 PH: 1 AMPS: 2.2 HZ: 60 INS.: B AMB.: 60° C DUTY: AIR OVER CAP.: 15 MFD/370 V ENCL: SEMI-ENCL. UL LOGO CSA LOGO THERMALLY PROTECTED | |

| COLOR | LENGTH | TERMINAL OR STRIP LENGTH |
|----------------|---------------------|--------------------------|
| GREEN (GROUND) | 12.0/13.0 [305/330] | #10 EYELET |
| BLACK/WHITE | 3.0/5.0 [76/127] | REVERSING PLUG |
| BROWN | 26.0/28.0 [660/711] | .25[6.4] FLAG |
| YELLOW | 26.0/28.0 [660/711] | .60[15.2] SKIN |
| BLACK | 26.0/28.0 [660/711] | .60[15.2] SKIN |
| ORANGE | 26.0/28.0 [660/711] | .60[15.2] SKIN |
| RED | 26.0/28.0 [660/711] | .60[15.2] SKIN |

REGAL-BELOIT CORPORATION (RBC) PROVIDES TECHNICAL ASSISTANCE TO OUR CUSTOMERS IN SEVERAL AREAS. SINCE RBC DOES NOT RECEIVE ALL DATA CONCERNING THE USE AND APPLICATION OF THE MOTOR, THE SUITABILITY OF THE MOTOR FOR THE APPLICATION MUST BE DETERMINED BY THE CUSTOMER.

DIMENSIONS WITHOUT TOLERANCES ARE FOR REFERENCE ONLY.

| | |
|------------------|----------|
| MAIN FRAME - OLE | ENCLOSED |
| END FRAME - OLE | OPEN |
| MAIN FRAME - LE | ENCLOSED |
| END FRAME - LE | OPEN |

| | |
|----------|----------------------|
| CUSTOMER | DISTRIBUTION SERVICE |
|----------|----------------------|

| PERFORMANCE CURVE NO. | TORQUE @ 1075 RPM (25°C) | APPROVED SAMPLE | UL COMPONENT FILE # | CCN # | CSA FILE # | CLASS # |
|-----------------------|--------------------------|-----------------|---------------------|-------|------------|---------|
| C31856 | 67.9 OZ. FT. | 99AC220A | E46412 | PRGY2 | LR43341 | 4211-01 |

| DRAWING REVISION | REVISION BY | DATE |
|------------------|-------------|------------|
| D | HANNA.ZOU | 01-16-2018 |
| ECO | APPROVED BY | DATE |
| ECO-0137897 | CADDIE.ZHOU | 01-16-2018 |

ECO DESCRIPTION: UPDATE THE LOGO

COPYRIGHT REGAL-BELOIT AMERICA, INC. ALL RIGHTS RESERVED. PROPRIETARY AND CONFIDENTIAL INFORMATION - THIS DOCUMENT IS THE PROPERTY OF REGAL-BELOIT AMERICA, INC. (OWNER) AND CONTAINS OWNER'S PROPRIETARY INFORMATION. ANY PERSON, CORPORATION OR OTHER FIRM RECEIVING IT IS DEEMED, BY RECEIVING IT, TO AGREE THAT IT, AND/OR ANY PART OF IT, SHALL NOT BE DISCLOSED TO ANY PERSON, CORPORATION OR OTHER ENTITY, DUPLICATED, AND/OR USED, EXCEPT AS EXPRESSLY APPROVED IN WRITING IN ADVANCE BY OWNER. THIS DOCUMENT SHALL BE RETURNED TO OWNER UPON REQUEST. IT MAY BE SUBJECT TO CERTAIN RESTRICTIONS UNDER APPLICABLE EXPORT CONTROL LAWS AND REGULATIONS.

| | |
|----------------|------------|
| DRAWN BY: | J.RUPERT |
| DATE: | 05-09-2011 |
| APPROVED BY: | J.RUPERT |
| DATE: | 05-09-2011 |
| PROCESS/FINISH | |

REGAL™ Regal Beloit America, Inc.

DESCRIPTION: MODEL-RFHP-48FR OUTLINE

MATERIAL: -

| | | | | | |
|------------------------|-------------|---|---------|-------|---|
| THIRD ANGLE PROJECTION | SIZE DWG NO | C | BDH1076 | SHEET | 1 |
|------------------------|-------------|---|---------|-------|---|