

4

3

Uncontrolled Copy

2

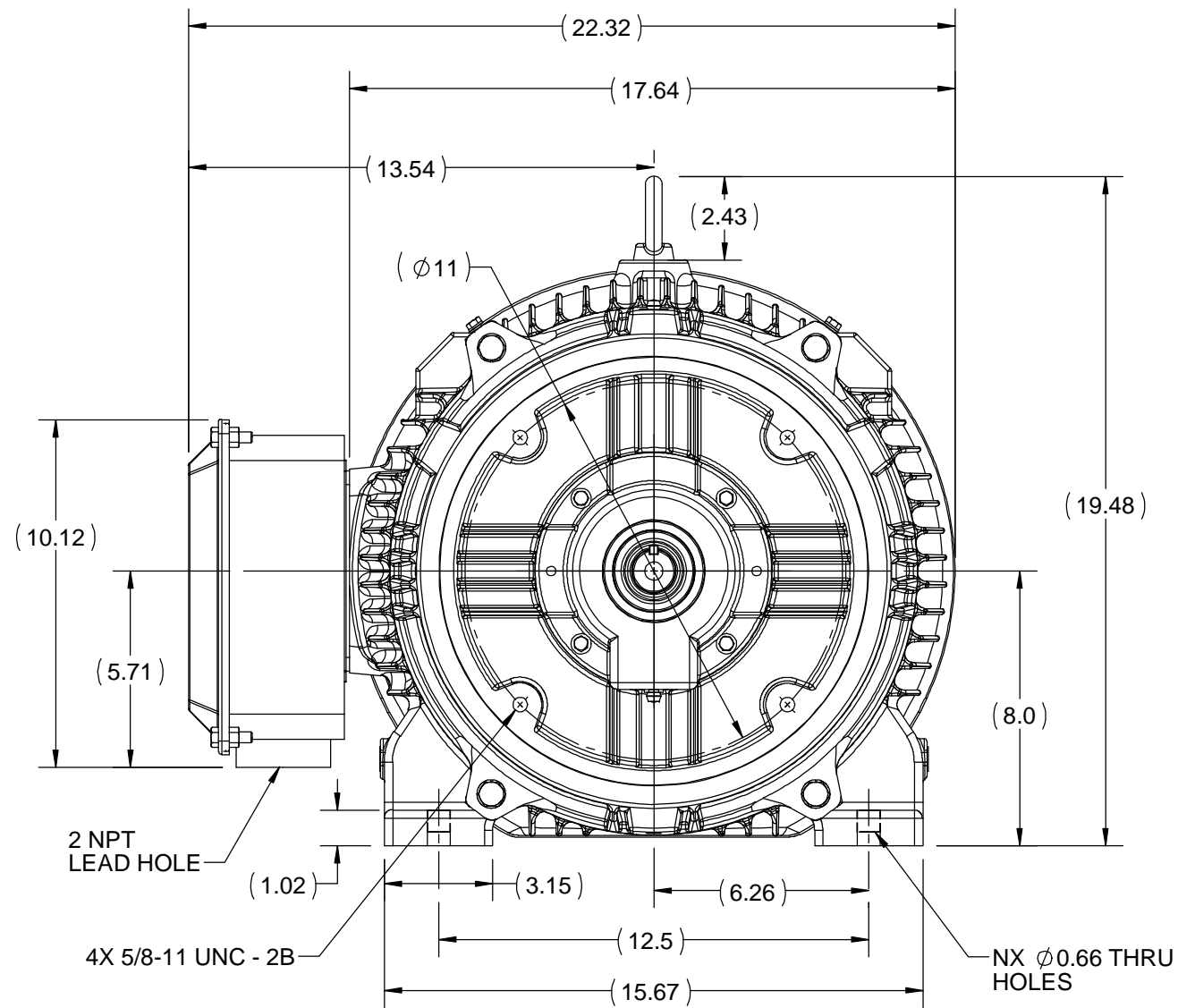
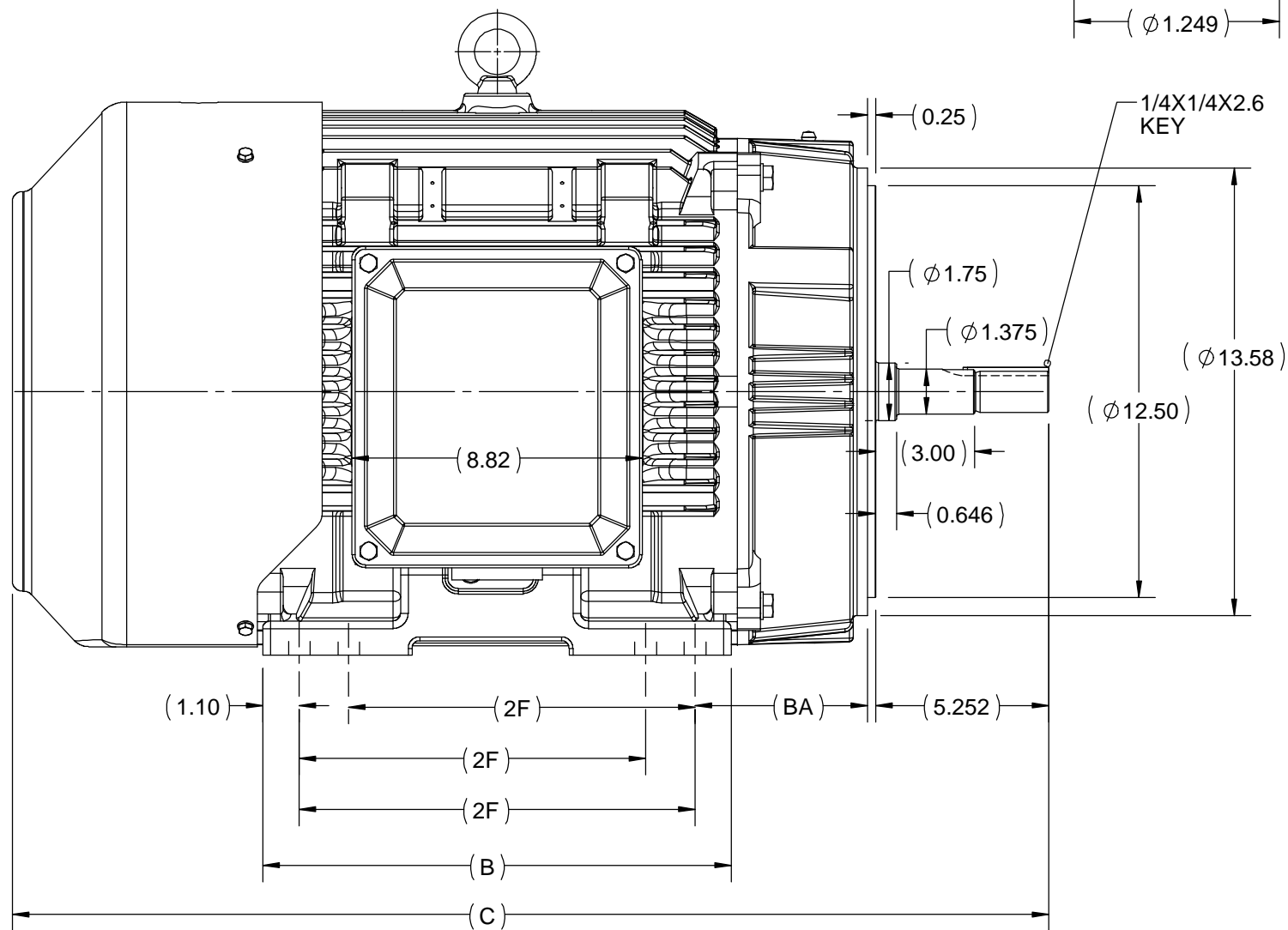
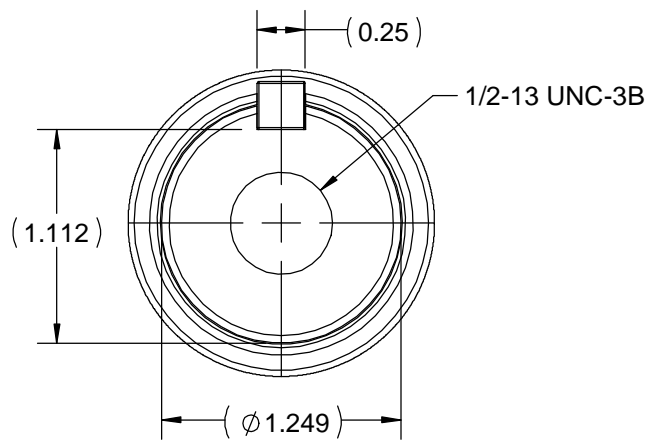
1

B

B

A

A



326-JM	14.21	31.44	12.0	8	5.25
324-JM	12.71	29.95	10.5	4	5.25
FRAME	B	C	2F	N	BA

DRAWING REVISION C	REVISION BY S.MUDDA	DATE 20/08/2018
ECO ECO-0151027	APPROVED BY JAY	DATE 20/08/2018

ECO DESCRIPTION  
**OUTLINE UPDATED AS PER 3D STRUCTURING**

COPYRIGHT REGAL BELOIT AMERICA, INC. ALL RIGHTS RESERVED. PROPRIETARY AND CONFIDENTIAL INFORMATION - THIS DOCUMENT IS THE PROPERTY OF REGAL BELOIT AMERICA, INC. ("OWNER") AND CONTAINS OWNER'S PROPRIETARY INFORMATION. ANY PERSON, CORPORATION OR OTHER FIRM RECEIVING IT IS DEEMED, BY RECEIVING IT, TO AGREE THAT IT, AND/OR ANY PART OF IT, SHALL NOT BE DISCLOSED TO ANY PERSON, CORPORATION OR OTHER ENTITY, DUPLICATED, AND/OR USED, EXCEPT AS EXPRESSLY APPROVED IN WRITING IN ADVANCE BY OWNER. THIS DOCUMENT SHALL BE RETURNED TO OWNER UPON REQUEST. IT MAY BE SUBJECT TO CERTAIN RESTRICTIONS UNDER APPLICABLE EXPORT CONTROL LAWS AND REGULATIONS.

DRAWN BY SN	
DATE 17/04/2017	
APPROVED BY SBD	
DATE 17/04/2017	
REFERENCE	
THIRD ANGLE PROJECTION	

Regal Beloit America, Inc.	
DESCRIPTION <b>OUTLINE</b> TEFC-324/326 JM FR- CAST IRON	
MATERIAL	PROCESS/FINISH
SIZE <b>B</b>	DRAWING NUMBER <b>SS620799</b>
SHEET 1 OF 1	

4

3

2

1