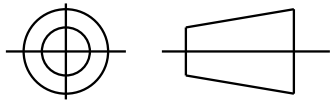


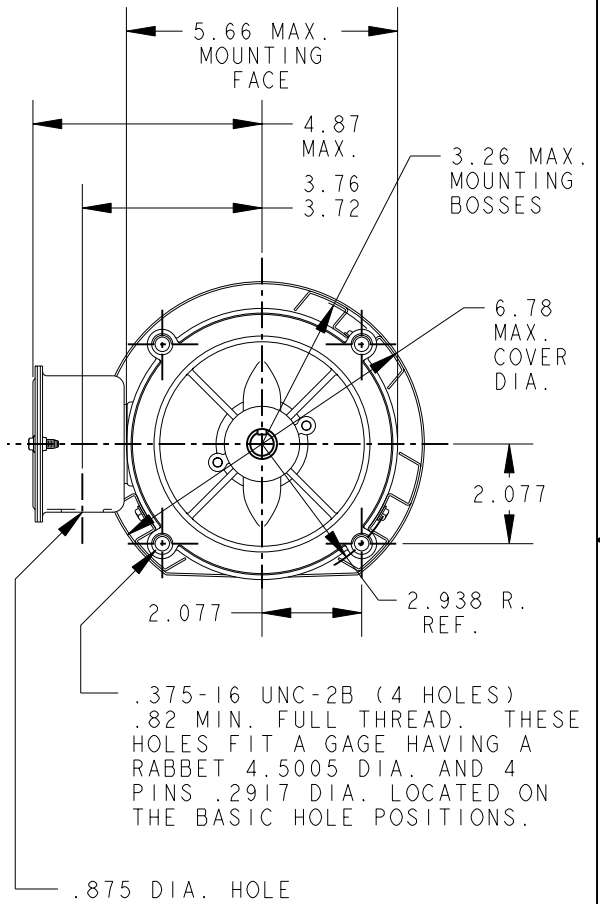
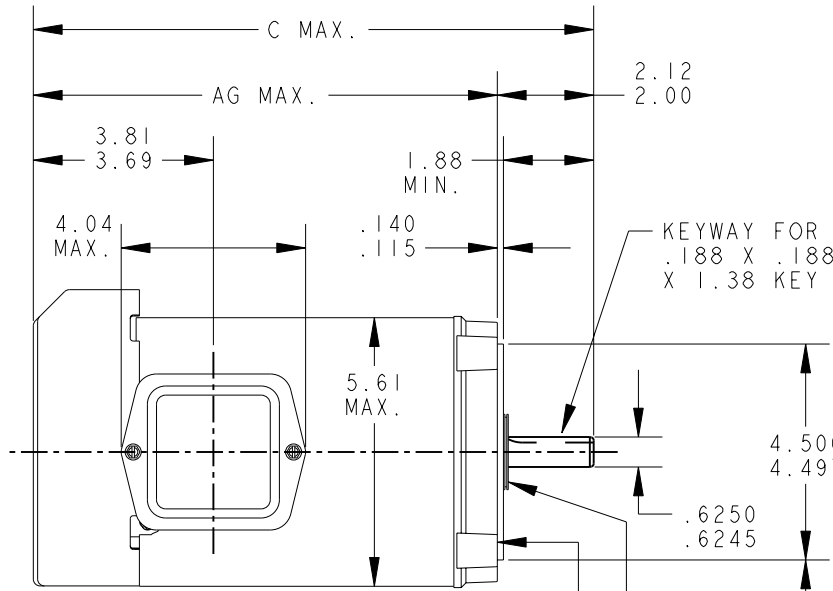
SHEET 1
REV 5
52A102407

THIRD ANGLE PROJECTION



REVISIONS

REV.	DESCRIPTION	DATE	APPROVED
3	REVISED AND REDRAWN	11/09/90	BLJ
4	MADE CHG AS PER IS05-1876	08/09/05	PRAVEEN.K
5	CHG TO RBC FORMAT PER IS05-1777	01/04/06	PRAVEEN.K




FACE RUNOUT (WITH INDICATOR MOUNTED STATIONARY RELATIVE TO SHAFT) MUST NOT EXCEED .004 T.I.R.

WATER SLINGER (WHEN SPECIFIED)

ECCENTRICITY OF THIS SURFACE (WITH INDICATOR MOUNTED STATIONARY RELATIVE TO SHAFT) MUST NOT EXCEED .004 T.I.R.

6	K	38	56C	12.36	10.28
5	K	37	56C	11.76	9.68
4	K	36	56C	11.36	9.28
3	K	35	56C	10.93	8.85
2	K	33	56C	10.55	8.47
1	K	32	56C	10.30	8.22
P	TYPE	GE SIZE	NEMA FR	C	AG

SIGNATURES		DATE
MODEL	H. OSBORNE	09/06/77
DETAIL	.	.
CHECKED	.	.
ENGRG	.	.
MFG	.	.
FOR ADDITIONAL INFO REFER TO:	QUALITY	.
APPLIED PRACTICES	ISSUED	B.L.J. 11/09/90
DIMENSIONS ARE IN INCHES ✓	SOLID MODEL: 52A102407	



REGAL-BELOIT CORPORATION

TITLE

OUTLINE

GENERAL PURPOSE MOTOR - FORM N - TOTALLY ENCLOSED

OUTBOARD FAN - R2 END MOUNT - BALL OR SLEEVE BEARING

SIZE	DRAWING	52A102407	REV 5
SCALE: 0.250	REF. No: .	SHEET 1 of 1	