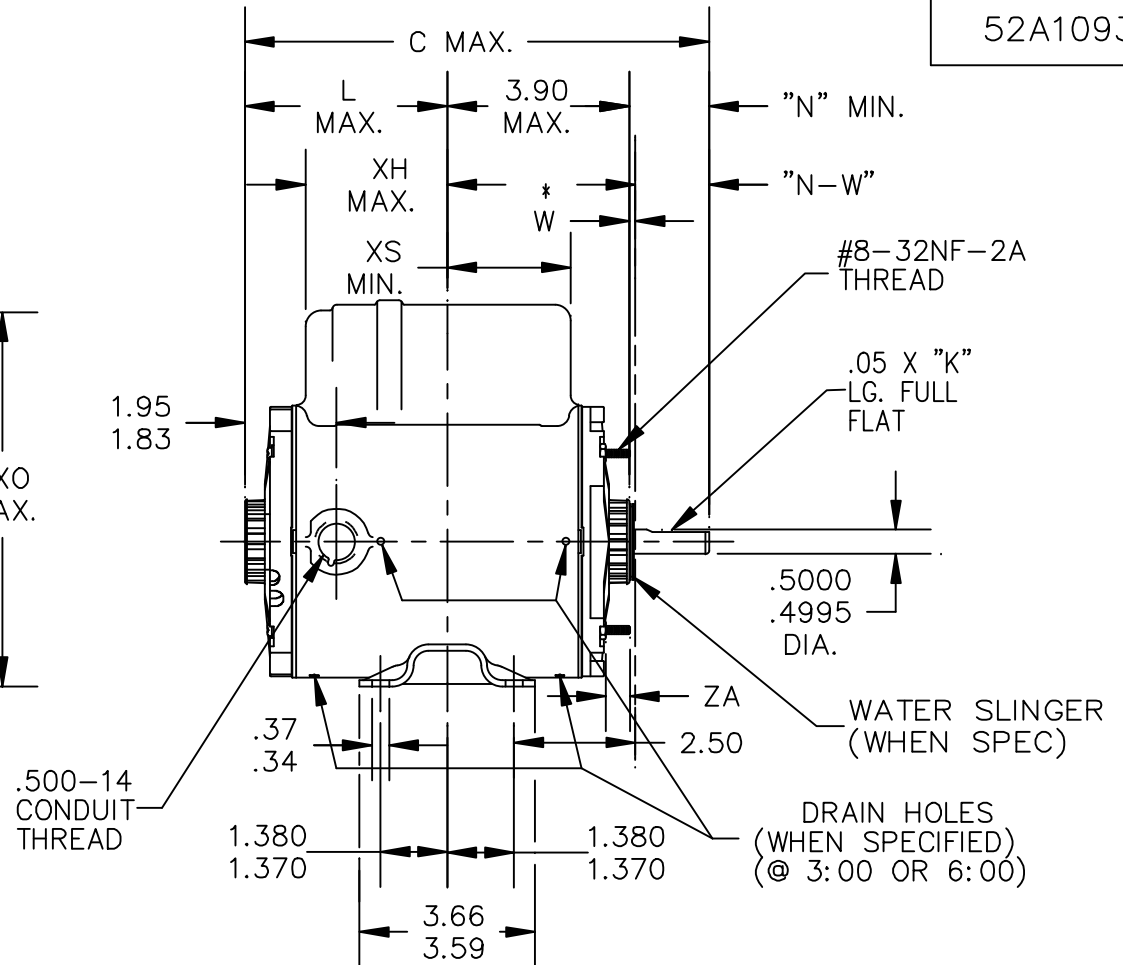
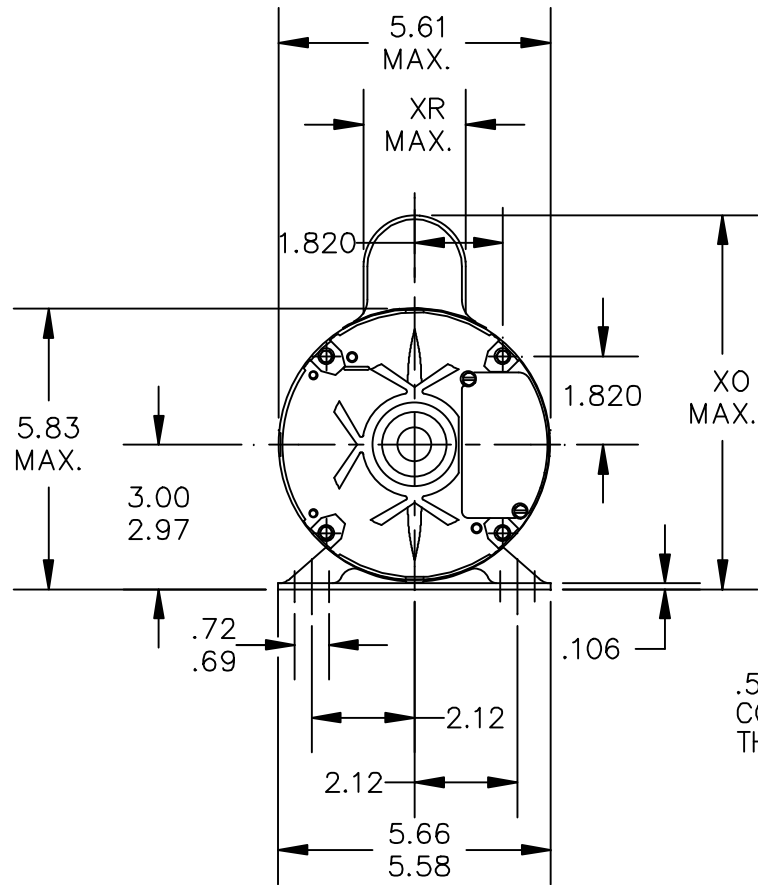


W* IS A CLEARNCE DUE TO VARIATION IN PARTS AND ASSEMBLY.

52A109351



3	KCP	35	48Z	10.32	4.22	2.25	2.38/2.16	1.16	2.98	2.70	2.22	7.93	.62
2	KCP	35	48Z	10.32	4.22	2.25	2.38/2.16	1.91	2.98	2.70	2.22	7.93	.50
1	KCP	35	48	9.57	4.22	1.50	1.63/1.41	1.16	2.98	2.70	2.22	7.93	.00
P	TYPE	RBC SIZE	NEMA FR	C	L	"N" MIN.	"N-W"	K	XH	XS	XR	XO	"ZA" MIN.

				TOLERANCES UNLESS SPECIFIED		REGAL-BELOIT CORPORATION		DRAWN MAM 10/11/93	
				DEC.	INCHES	REGAL-BELOIT CORPORATION		CHK	
6	RE DRAWN IN DRAFTSIGHT -NO CHANGES	UD 09/08/12	.X	±0.1	TITLE		OUTLINE		APPD MAM 10/11/93
5	CHG TO RBC FORMAT PER ISO5-1777	SUD 3/13/06	.XX	±0.02	TENV -WELDED BASE FMF: 5KCP35KNA481		SCALE 1=1		REF
4	ADDED PART #3.	M.D.P12/07/00	.XXX	±0.005	MAT'L.		PREV		
3	ADD DRAIN HOLES @3:00 (T195-21588)	M.A.M 1/20/95	.XXXX	±0.0005	FINISH				
NO.	REVISION	BY & DATE	CHK	ANG	±1.0	FINISH	SIZE	DRAWING NO.	REV.
			RFP			CAD FILE 52A109351	A	52A109351	6
			DIST						

THIS DRAWING IN DESIGN AND DETAIL IS OUR PROPERTY AND MUST NOT BE USED EXCEPT IN CONNECTION WITH OUR WORK ALL RIGHTS OF DESIGN AND INVENTION ARE RESERVED THIS IS AN ELECTRONICALLY GENERATED DOCUMENT - DO NOT SCALE THIS PRINT