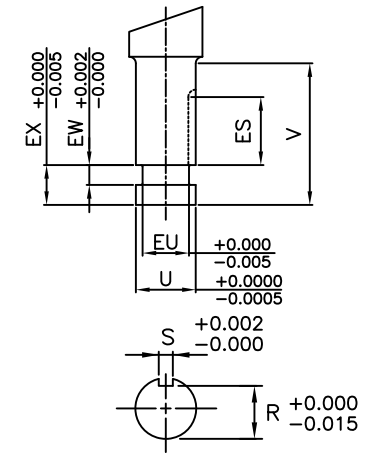
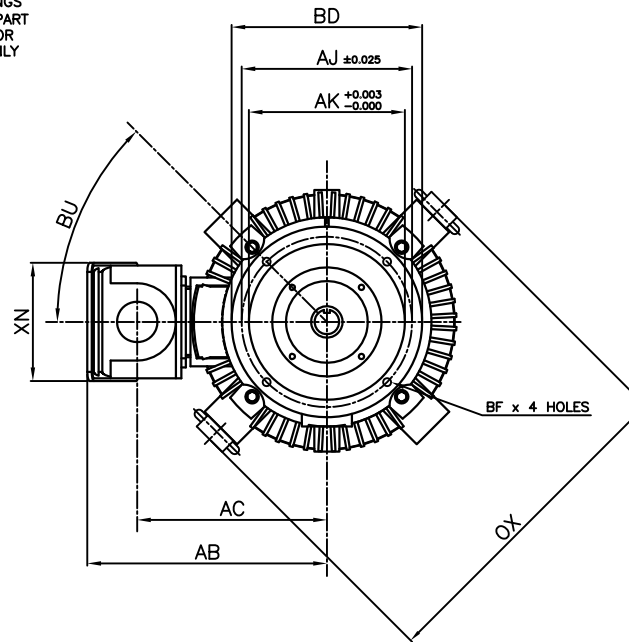


NOTE:  
LIFTING RINGS  
(2) 180° APART  
FOR MOTOR  
LIFTING ONLY



- NOTES:
1. DIMENSION V REPRESENTS LENGTH OF STRAIGHT PART OF SHAFT
  2. MAIN CONDUIT BOX MAY BE ROTATED IN 90° INCREMENTS
  3. KEY DIMENSIONS EQUAL S x S x ES (MOTOR SUPPLIED WITH KEY)
  4. MOTOR WEIGHT SHOWN IS MAXIMUM HORSEPOWER IN FRAME
  5. STANDARD PRODUCT USE BI-DIRECTIONAL FAN. OPPOSITE ROTATION AVAILABLE ONLY BY CONNECTION CHANGE

UNITS: INCHES

| FRAME SIZE | MOTOR DIMENSIONS |      |      |      |     | P-FLANGE DIMENSIONS |     |      |      |      |       |       |      | SHAFT EXTENSION DIMENSIONS |       |      |       |       |      |       |      |  |  |
|------------|------------------|------|------|------|-----|---------------------|-----|------|------|------|-------|-------|------|----------------------------|-------|------|-------|-------|------|-------|------|--|--|
|            | AG               | C    | P    | OX   | BU  | BB                  | BE  | BF   | BD   | BV   | AK    | AJ    | AH   | EU                         | U     | V    | R     | S     | ES   | EW    | EX   |  |  |
| 440HP16    | 58.3             | 62.8 | 22.2 | 28.8 | 45° | 0.25                | 1.2 | 0.69 | 16.5 | 24.0 | 13.50 | 14.75 | 4.50 | 1.75                       | 2.125 | 4.50 | 1.845 | 0.500 | 3.03 | 0.375 | 0.75 |  |  |
| 440HP20    | 58.3             | 62.8 | 22.2 | 28.8 | 45° | 0.25                | 1.2 | 0.69 | 20.0 | 24.0 | 13.50 | 14.75 | 4.50 | 1.75                       | 2.125 | 4.50 | 1.845 | 0.500 | 3.03 | 0.375 | 0.75 |  |  |
| 440HP24    | 58.3             | 62.8 | 22.2 | 28.8 | 45° | 0.25                | 1.2 | 0.69 | 24.0 | 24.0 | 13.50 | 14.75 | 4.50 | 1.75                       | 2.125 | 4.50 | 1.845 | 0.500 | 3.03 | 0.375 | 0.75 |  |  |
| 440LP16    | 58.3             | 62.8 | 22.2 | 28.8 | 45° | 0.25                | 1.2 | 0.69 | 16.5 | 24.0 | 13.50 | 14.75 | 4.50 | 1.75                       | 2.125 | 4.50 | 1.845 | 0.500 | 3.03 | 0.375 | 0.75 |  |  |
| 440LP20    | 58.3             | 62.8 | 22.2 | 28.8 | 45° | 0.25                | 1.2 | 0.69 | 20.0 | 24.0 | 13.50 | 14.75 | 4.50 | 1.75                       | 2.125 | 4.50 | 1.845 | 0.500 | 3.03 | 0.375 | 0.75 |  |  |
| 440LP24    | 58.3             | 62.8 | 22.2 | 28.8 | 45° | 0.25                | 1.2 | 0.69 | 24.0 | 24.0 | 13.50 | 14.75 | 4.50 | 1.75                       | 2.125 | 4.50 | 1.845 | 0.500 | 3.03 | 0.375 | 0.75 |  |  |

| AA [NPT] | CONDUIT BOX DIMENSIONS |      |     |      |      |           | MAXIMUM WEIGHT |
|----------|------------------------|------|-----|------|------|-----------|----------------|
|          | AB                     | AC   | AF  | XL   | XN   |           |                |
| 3.00     | 20.8                   | 16.5 | 9.2 | 15.2 | 10.3 | 2500 lbs. |                |

| FRAME SIZE  | BEARINGS |               |
|-------------|----------|---------------|
|             | LS       | OS            |
| 2 POLE HP   | 6313C3   | 6314C3        |
| 2 POLE LP   | 6313C3   | 7314BEGAM x 2 |
| 4~8 POLE HP | 6318C3   | 6314C3        |
| 4~8 POLE LP | 6318C3   | 7314BEGAM x 2 |

CUSTOMER: \_\_\_\_\_ MOTOR MODEL NO.: \_\_\_\_\_ TAG NO's.: \_\_\_\_\_

P.O. NO.: \_\_\_\_\_ HP: \_\_\_\_\_ VOLTAGE: \_\_\_\_\_ RPM(SYN.): \_\_\_\_\_ Hz: \_\_\_\_\_

FRAME SIZE: \_\_\_\_\_ PRODUCT TYPE: VERTICAL SOLID SHAFT ROUND BODY P-FLANGE

COMMENTS: \_\_\_\_\_

PER: \_\_\_\_\_ DATE: \_\_\_\_\_

STANDARD (NO AUX. BOXES)

RTD AUX. BOX

SPACE HEATER AUX. BOX

BEARING RTD's

TOSHIBA RESERVES THE RIGHT TO MAKE CHANGES OF TECHNICAL IMPROVEMENT AND THE DATA MAY CHANGE WITHOUT NOTICE  PRELIMINARY

DO NOT USE FOR CONSTRUCTION, INSTALLATION, OR APPLICATION PURPOSES UNLESS THE DRAWING IS MARKED AS CERTIFIED  CERTIFIED

**TOSHIBA**

TOSHIBA INTERNATIONAL CORPORATION

TOTALLY-ENCLOSED FAN-COOLED  
VERTICAL SOLID SHAFT ROUND BODY P-FLANGE  
3 PHASE INDUCTION MOTOR  
F1 ASSEMBLY

**XT SERIES**

VISIT OUR WEBSITE AT:  
[www.toshiba.com/ind](http://www.toshiba.com/ind)