

Product Information Packet

November 7, 2016

Data shown is for the current revision model #. Ensure your nameplate model # matches.

Model Number:	5KS254ATE205F2RG3
Catalog Number:	E7065
Instruction Manual:	GEI-M1023
Connection Diagram:	GEM2034E-FIG10
Outline Drawing:	358B6216AC

Accessory Connection Diagrams			
Bearing Thermocouple:	None	Heater:	None
RTD:	None	Thermistor:	None
Thermostat:	None	Winding Thermocouple:	None
Bearing RTD:	None		

Table of Contents	
Specification	01
Performance Characteristics	02
Outline Drawing	03
Connection Drawing(s)	04

Marks:

MODEL NUMBER:	5KS254ATE205F2RG3	Estimated Weight:	300 Lbs
Outline Drawing:	358B6216AC	Time Rating:	CONT
Connection Diagram:	GEM2034E-FIG10	Enclosure:	DP
Instruction Book:	GEI-M1023	Encl Construction:	OPEN
Design Code:	25AD1007A	Ambient Max(°C):	40
Type:	KS	Alt Ambient Max(°C):	--
Frame:	254T	Insulation Class:	F
Phases:	3	NEMA Design:	A
Poles:	4	Nominal Efficiency:	93 %
Output Power:	15HP 11.1KW	Guaranteed Efficiency:	91.7
RPM:	1765	3/4 Load Efficiency:	93.3
Voltage:	230/460	KVA Code:	H
Hertz:	60	Max KVAR:	5.3
Amps - FL:	37.2/18.6	Power Factor:	81
Service Factor:	1.15	Bearing - DE:	6310ZZ
Alt Service Factor:	--	Bearing - ODE:	6208ZZ

Enclosure is Dripproof

Stamped Nameplate Notes:**Additional Information:**

MADE FROM MODEL 5KS254ATE205F2
 ADD AEGIS GROUND RING
 MOD AMSTUTZ 15-NOV-2011

Performance Characteristics

1st Winding 1st Connection

Design: 25AD1007A

Marks:

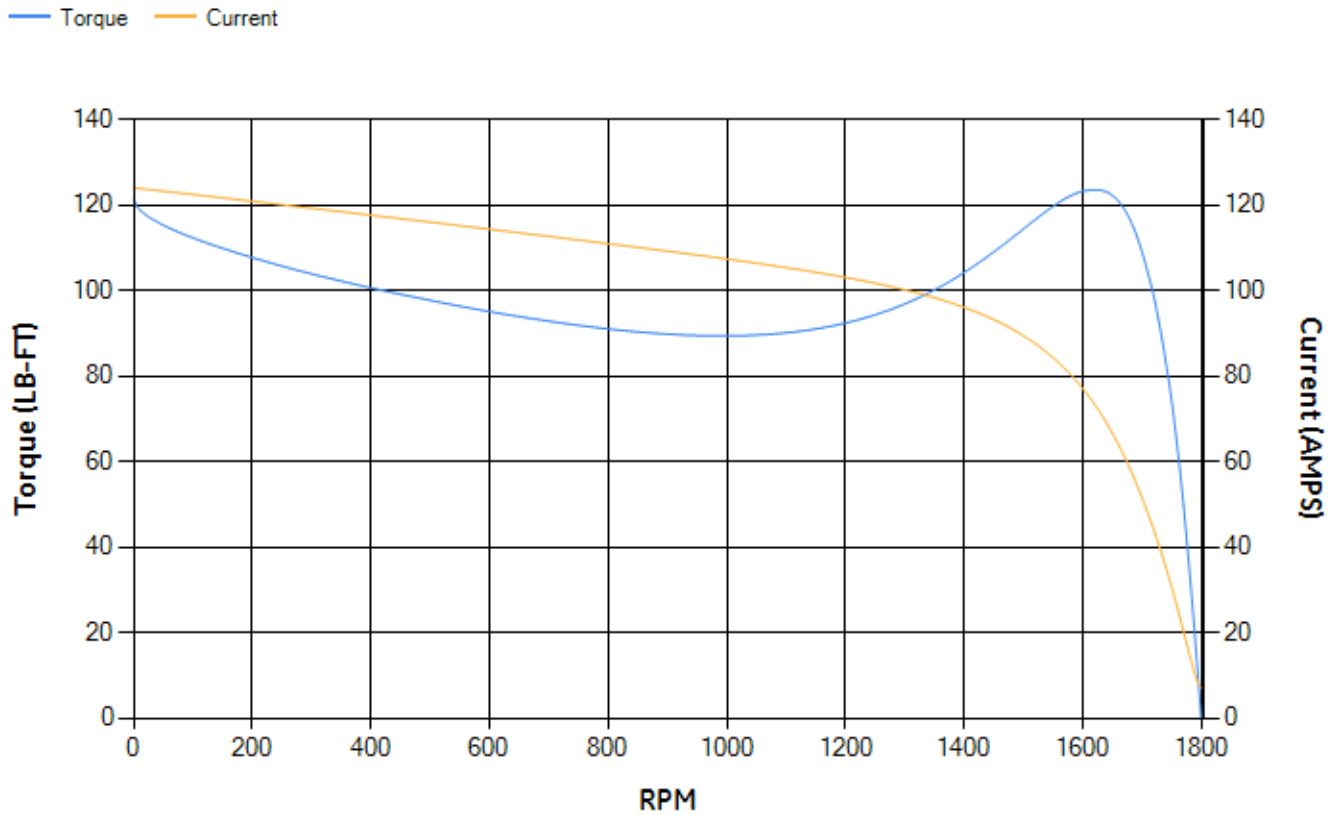
LOAD %	125.0	115.0	100.0	75.0	50.0	25.0	0.0
% EFF	92.25	92.58	93.18	93.28	92.69	89.05	0.00
% PF	84.21	83.79	82.62	78.49	69.05	47.45	5.42
AMPS	22.59	20.81	18.24	14.38	10.97	8.31	7

TORQ(FL)#FT	44.48	TORQ(LR)%FL	273.08	TORQ(BD)%FL	275.98
AMPS(LR)	123.98	PF AT START	0.42		

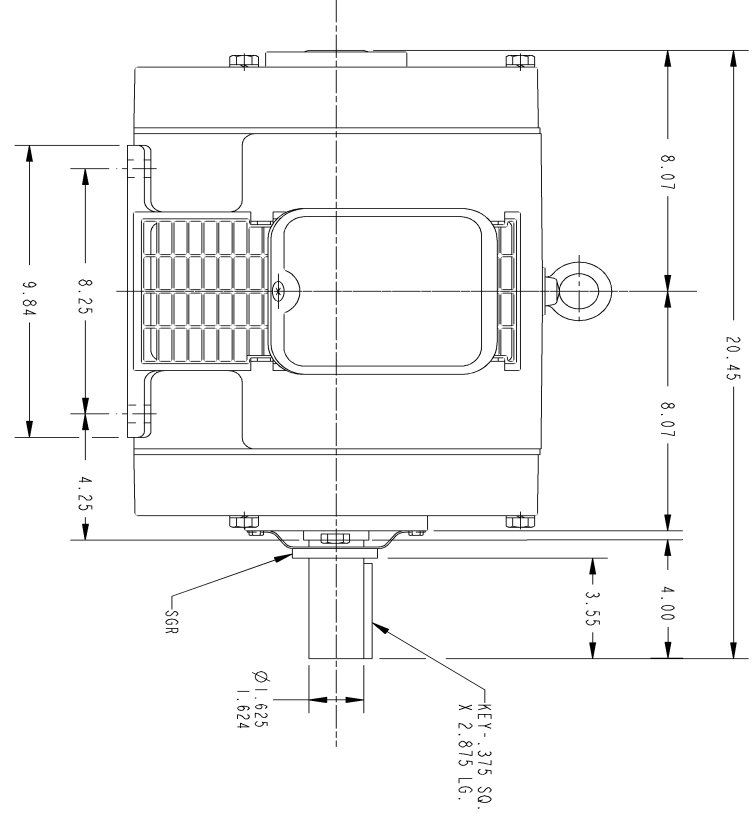
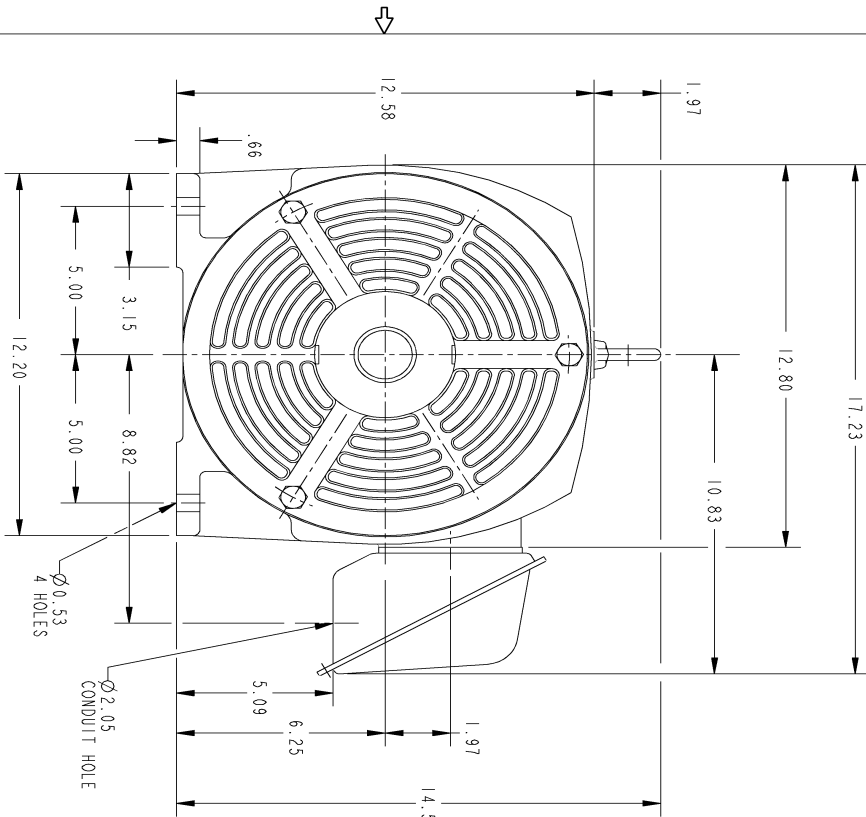
This motor is capable of two cold or one hot start with a maximum connected load inertia of 583 Lb-Ft Sq (24.54 Kg-meter Sq)at 100% voltage, where the load torque varies with the square of the speed. Acceleration time with maximum inertia and the above load type is 40 seconds. Safe stall time at 100% voltage is 67 seconds cold, 62 seconds hot. Rotor inertia is 1.76 Lb-Ft Sq (0.07 Kg-meter Sq).

Open Circuit A-C:	0.41	Short Circuit D-C:	0.018
Short Circuit A-C:	0.02	X/R Ratio:	6.729
Stator Slots:	48	Rotor Slots:	40

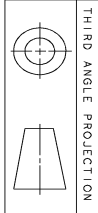
Speed Torque Current Curve (First Connection, First Speed)



Marks:



- NOTES :
1. CONDUIT BOX MAY BE PLACED WITH THE ENTRANCE DOWN, UP OR ON EITHER SIDE.
 2. F-1 ASW AS SHOWN.
 3. F-2 ASW - HAS CONDUIT BOX ON OPPOSITE SIDE.



GE PROPRIETARY INFORMATION

358B6216AC

REV. 0

REV.	DESCRIPTION	DATE	APPROVED

SIGNATURES	DATE
MODEL SHANKAR 01/14/11	
DETAIL VENKAT J 01/14/11	
CHECKED VENKAT J 01/14/11	
ENGRS VENKAT J 01/14/11	
ISSUED SHANKAR 01/14/11	

GE Motors GENERAL ELECTRIC COMPANY

OUTLINE

254T - OPEN DRIP PROOF WITH SGR

358B6216AC

SCALE: DRAWING SCALE

SHEET 1 of 1

DISTRIBUTION:

Marks:

Connection Diagram
GEM2034E-FIG10

