

Product Information Packet

May 6, 2017

Data shown is for the current revision model #. Ensure your nameplate model # matches.

Model Number:	5KS404DAJ6022B
Catalog Number:	V4423
Instruction Manual:	GEK-95353
Connection Diagram:	GEM2034E-FIG19
Outline Drawing:	148CB40VMHKCCAA0001

Accessory Connection Diagrams			
Bearing Thermocouple:	None	Heater:	3027JE-1C
RTD:	None	Thermistor:	None
Thermostat:	None	Winding Thermocouple:	None
Bearing RTD:	None		

Table of Contents

Specification	01
Performance Characteristics	02
Outline Drawing	03
Connection Drawing(s)	04
Spare parts	05



Marks:

MODEL NUMBER:	5KS404DAJ6022B	Estimated Weight:	1160 Lbs
Outline Drawing:	148CB40VMHKCCAA0001	Time Rating:	CONT
Connection Diagram:	GEM2034E-FIG19	Enclosure:	WPI
Instruction Book:	GEK-95353	Encl Construction:	OPEN
Design Code:	40BD1118AB	Ambient Max(°C):	40
Type:	KS	Alt Ambient Max(°C):	--
Frame:	L404TP16	Insulation Class:	H
Phases:	3	NEMA Design:	B
Poles:	4	Nominal Efficiency:	95.4 %
Output Power:	100HP 74KW	Guaranteed Efficiency:	94.5
RPM:	1785	3/4 Load Efficiency:	--
Voltage:	460	KVA Code:	G
Hertz:	60	Max KVAR:	33.3
Amps - FL:	121.0	Power Factor:	82.0
Service Factor:	1.15	Bearing - DE:	6215C3
Alt Service Factor:	--	Bearing - ODE:	235A2532AA01

Enclosure is Weather Protected One

Stamped Nameplate Notes:

HTR LDS HE1-HE2 115V 100W
 ROT CCW FACING ODE LEAD/PH SEQ 1-2-3/1-2-3
 INVERTER DUTY PER NEMA MG1 PART 31
 ALTERNATE RATING FOR PWM CONTROL:1.0SF 40C AMBIENT
 VAR TORQUE RANGE 5-60 HZ
 UPPER BRG LUBE OIL: 6 QTS
 0 DEG C TO 40 DEG C : ISO 32(MINERAL OR SYNTHETIC)
 -15 DEG C TO 0 DEG C : ISO 32 SYNTHETIC
 SUITABLE FOR 75 HP, 380V, 50 HZ WITH
 110.0 AMPS AND 1490 RPM AT 1.0 SF

Additional Information:

4P, VERT HOLLOW SHAFT HIGH THRUST (2D)
 700 CU IN - 3.00" NPT
 OIL RESISTANT SLEEVING ON LEADS
 115V HTR LDS TO MAIN CONDUIT BOX
 BEARING LIFE 8760 HRS AT 14609 LB THRUST
 PART WINDING START
 CG:18.50 IN FROM P-BASE FACE, STAT DEF:0.0033 IN
 RCF:3240 CPM AT C/BOX SIDE, 3360 CPM AT
 90 DEG FROM C/ BOX SIDE
 NON-REVERSE BALL CARRIER
 COUPLING NOT INCLUDED IN BOM, WILL BE
 ORDERED SEPERATELY
 SPECIAL BALANCE

Performance Characteristics

1st Winding 1st Connection

Design: 40BD1118AB

Marks:

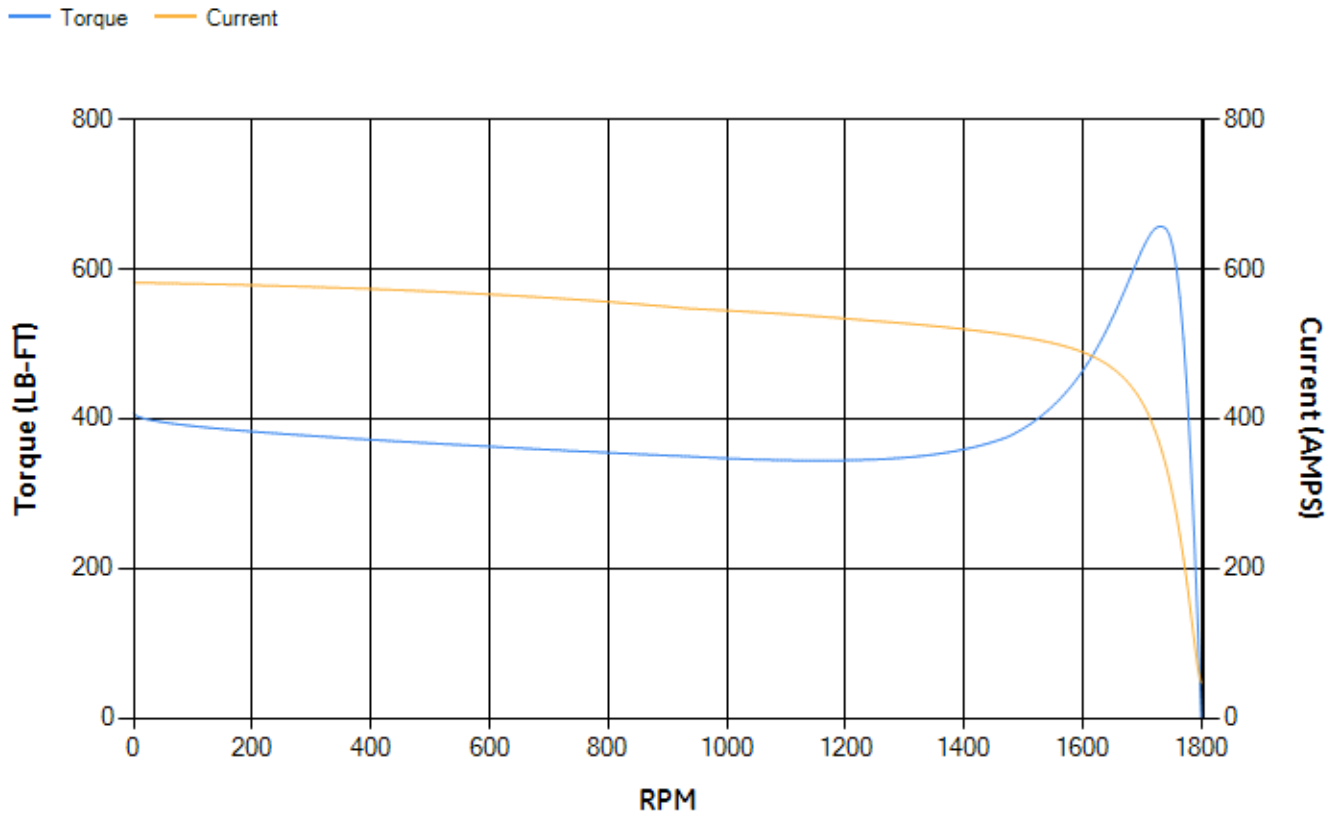
LOAD %	125.0	115.0	100.0	75.0	50.0	25.0	0.0
% EFF	94.41	94.54	94.84	94.46	93.43	89.37	0.00
% PF	83.22	82.93	81.94	78.11	68.96	47.58	5.45
AMPS	148.9	137.29	120.44	95.13	72.63	55.03	46.47

TORQ(FL)#FT	294.02	TORQ(LR)%FL	138.49	TORQ(BD)%FL	223.1
AMPS(LR)	581.69	PF AT START	0.29		

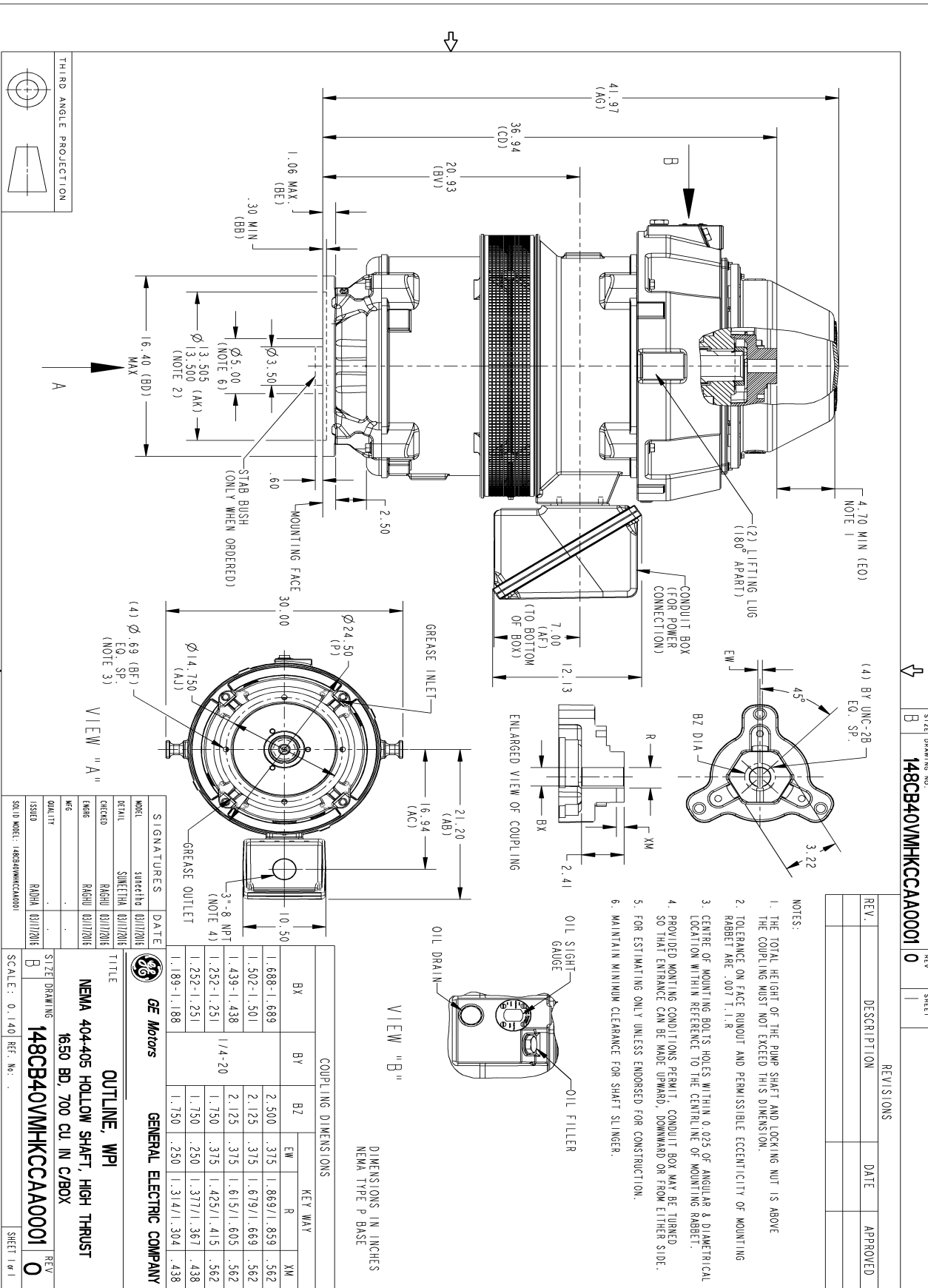
This motor is capable of two cold or one hot start with a maximum connected load inertia of 3062 Lb-Ft Sq (128.91 Kg-meter Sq)at 100% voltage, where the load torque varies with the square of the speed. Acceleration time with maximum inertia and the above load type is 62 seconds. Safe stall time at 100% voltage is 106 seconds cold, 75 seconds hot. Rotor inertia is 22.56 Lb-Ft Sq (0.95 Kg-meter Sq).

Open Circuit A-C:	0.83	Short Circuit D-C:	0.037
Short Circuit A-C:	0.056	X/R Ratio:	13.789
Stator Slots:	72	Rotor Slots:	58

Speed Torque Current Curve (First Connection, First Speed)



Marks:



SIZE DRAWING NO. 148CB40VMHKCCA0001 0

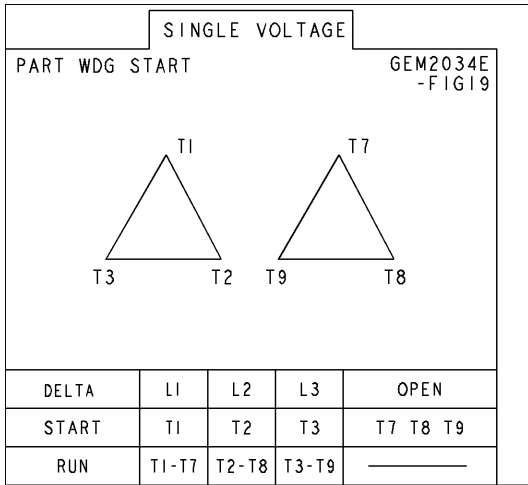
REV 1

NOTES:

- THE TOTAL HEIGHT OF THE PUMP SHAFT AND LOCKING NUT IS ABOVE THE COUPLING MUST NOT EXCEED THIS DIMENSION.
- TOLERANCE ON FACE RUNOUT AND PERMISSIBLE ECCENTRICITY OF MOUNTING RABBET ARE .007 T.I.R.
- CENTRE OF MOUNTING BOLTS HOLES WITHIN 0.025 OF ANGULAR & DIAMETRICAL LOCATION WITH REFERENCE TO THE CENTRELINE OF MOUNTING RABBET.
- PROVIDED MOUNTING CONDITIONS PERMIT, CONDUIT BOX MAY BE TURNED SO THAT ENTRANCE CAN BE MADE UPWARD, DOWNWARD OR FROM EITHER SIDE.
- FOR ESTIMATING ONLY UNLESS ENDORSED FOR CONSTRUCTION.
- MAINTAIN MINIMUM CLEARANCE FOR SHAFT SLINGER.

Marks:

Connection Diagram
GEM2034E-FIG19



Heater Connection
3027JE-1C



End shield Assembly		
Part Description	DE Side Part#	ODE Side Part#
End Shield	115E7306AC1	115E7310LA1
Bearing	235A2513AL01	235A2532AA01
Slinger/Inproseal	235A2300HW1	

Fan & Fan Cover Assembly	
Part Description	Part#
Fan	
Fan Cover	161C1054AA1

Conduit & Accessories Box Assembly	
Part Description	Part#
Conduit Box	118D4408AD2

Mechanical Accessories	
Part Description	Part#
Brake	
Tachometer	