

DATE  
NOV. 14, 2011  
CATALOG NO.  
HB0058

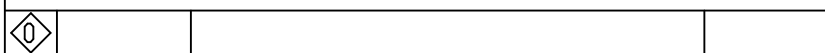
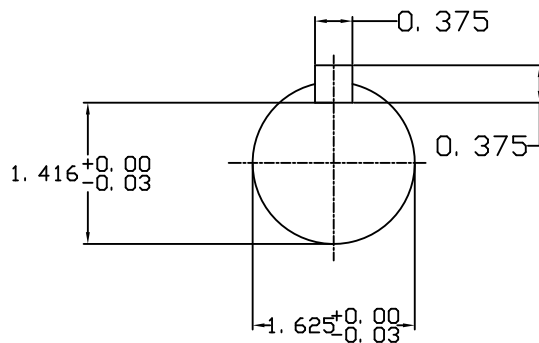
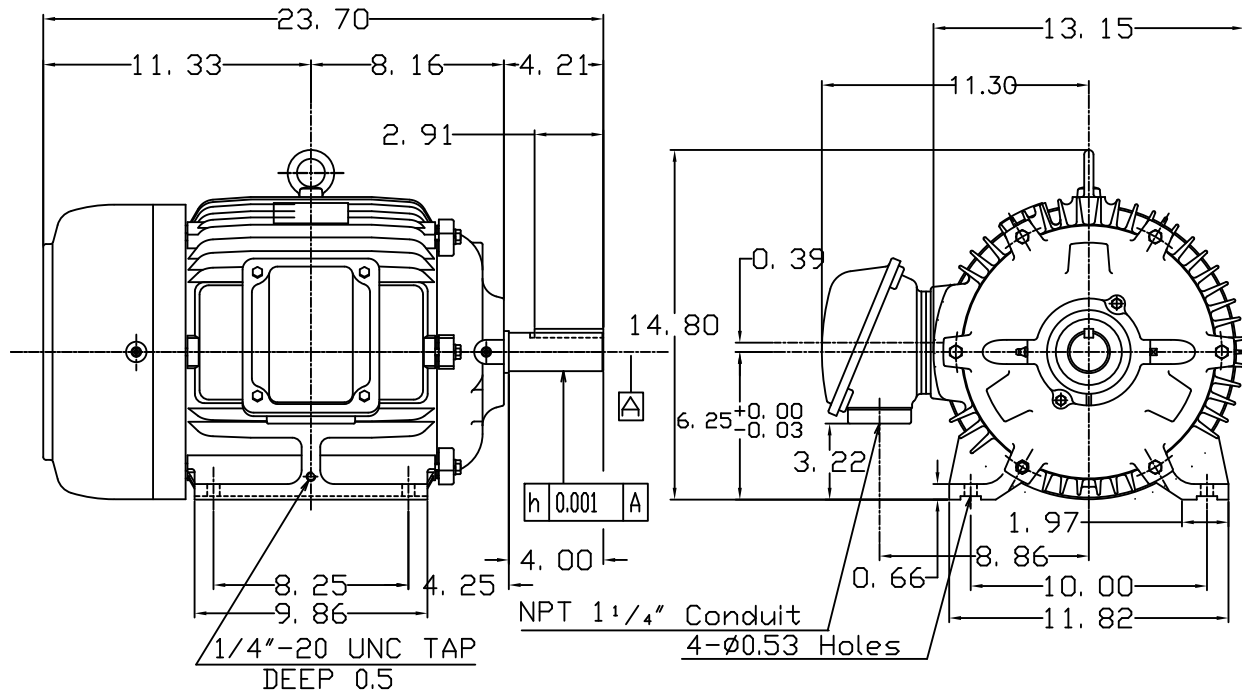
OUTLINE DIMENSIONS  
3-PHASE INDUCTION MOTOR

MOTOR TYPE:  
AEHH8B  
FRAME NO. 254T

Pole	HP	KW	Hz	VOLT	Syn.Speed RPM
8	5	3.73	60	460	900

Ins	Rating	Dimension in	Approx Weight	Bearings
F	CONT.	inches	297 lbs.	DE: 6309ZC35C NDE: 6307ZC35C

Totally Enclosed Fan-Cooled Type, Squirrel-cage Rotor.



DWN.	簡學民	12-04-98
CHKD.	°牧÷星	12-10-98
APPD.	黃友伯	12-10-98

TEC   Westinghouse

DWG NO.  
31049HB625060