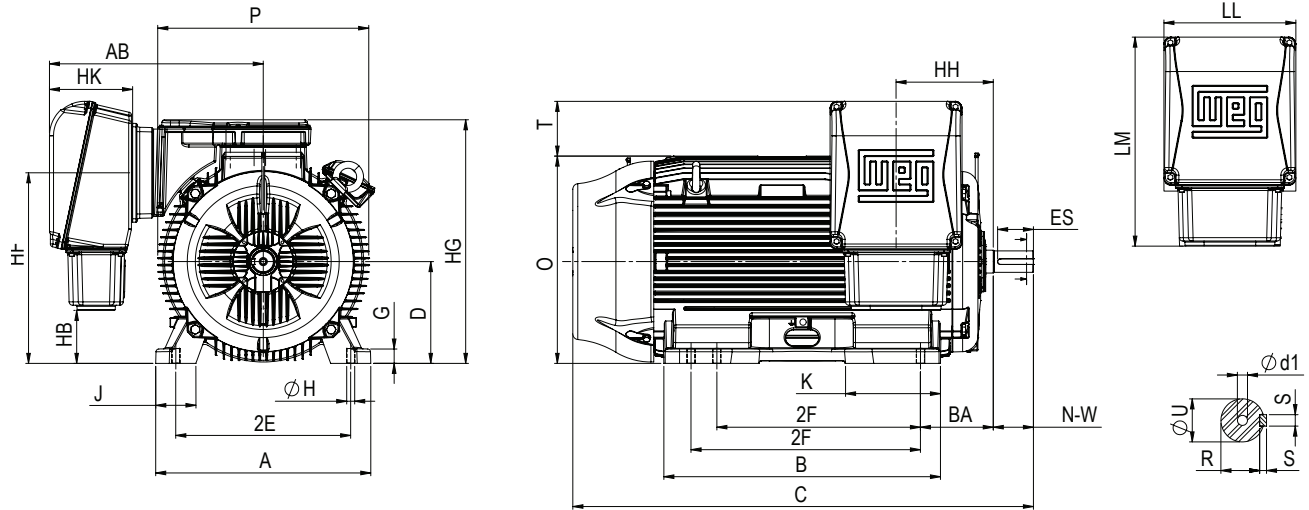


W22 Medium Voltage Motors

TEFC - Severe Duty - Mechanical Data



NEMA Frames	MOUNTING				A	B	C	D	G	J	K	O	P	T	KEYWAY			SHAFT EXTENSION		
	2E	2F	H	BA											S	R	ES	N-W	U	
L447/9T	18.000	20.000	0.810	7.500	21.929	31.535	57.780	11.000	1.630	3.937	8.780	23.970	25.866	6.739	8.117*	0.875	2.880	7.087	8.500	3.375
L447/9TS		25.000					54.030									0.625	2.021	3.000	4.750	2.375
586/7T	23.000	22.000	1.181	10.000	29.528	29.921	61.704	14.500	2.492	5.512	9.055	28.985	28.977	7.559	8.937*	1.000	3.312	8.661	11.625	3.875
586/7TS		25.000					54.829									0.625	2.021	3.000	4.750	2.375
588/9T		28.000				69.381	1.000				3.312					8.661	11.625	3.875		
588/9TS		32.000				62.506	0.625				2.021					3.000	4.750	2.375		

NEMA Frames	TERMINAL BOX								BEARINGS			
	AB	HB	HF	HG	HH	HK	LL	LM	D.E.	N.D.E.		
L447/9T	28.543	2.008	20.905	28.189	12.606				6322-C3	6319-C3		
L447/9TS	28.740*	3.386*	22.283*	29.567*					6314-C3			
586/7T	29.330	7.807	27.177	33.988	13.386	11.417	18.110	28.740	6322-C3	6319-C3		
586/7TS									9.185*	28.673*	35.366*	6314-C3
588/9T									6322-C3	6319-C3		
588/9TS									6314-C3			