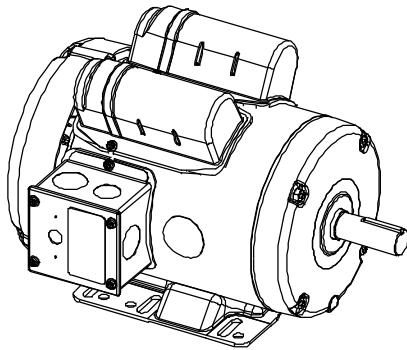
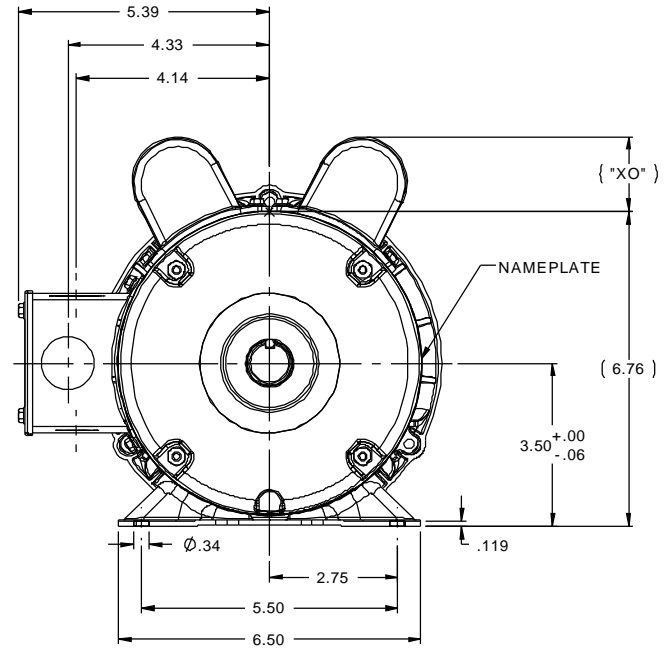
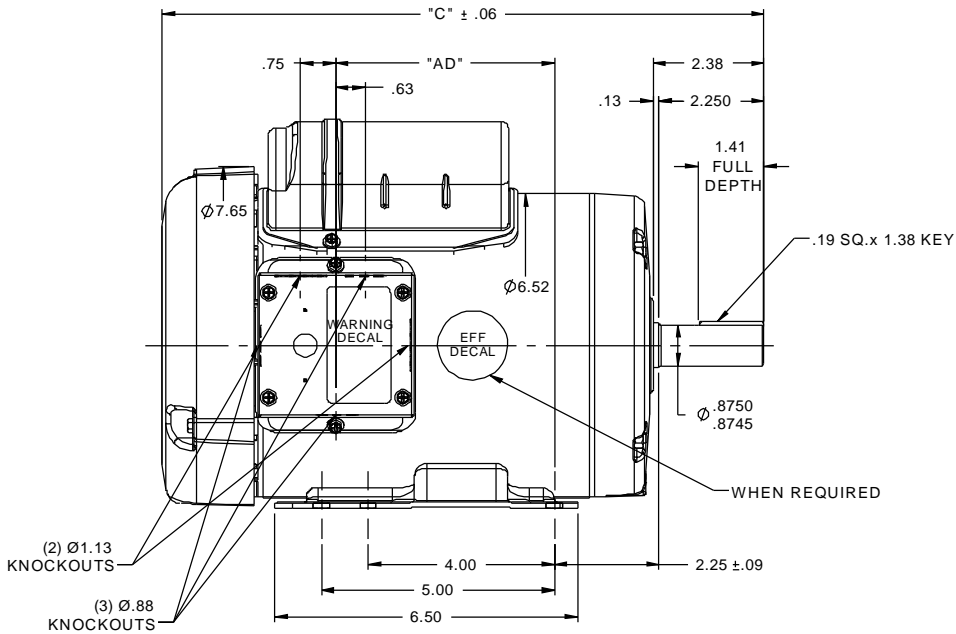


RBC PROPRIETARY AND CONFIDENTIAL INFORMATION
 This document is the property of REGAL BELOIT CORPORATION ("RBC") including its subsidiaries and divisions and contains proprietary information of RBC. This document is loaned on the express condition that neither the information contained therein shall be disclosed to others without the express written consent of RBC, and that the information shall be used by the recipient only as approved expressly by RBC. This document shall be returned to RBC upon its request. This document may be subject to certain restrictions under U.S. export control laws and regulations.



DASH NO.	"C"	"AD"	CAP DASH	"XO"
700	12.93	4.69	A	1.15
750	13.43	5.19	B	1.60
800	13.93	5.69	C	1.82
850	14.43	6.19		

NOTE:
 1) GASKETS THROUGHOUT

TOLERANCES UNLESS SPECIFIED		DEC INCHES		TITLE	FINISH	DRAWING NO	PAGE	OF	REV			
X	±.1	XX	±.03							OUTLINE - 140T FRAME	TEFC - RIGID	028803
XXX	±.005	XXXX	±.0005									
01	CORRECTED BASE LOCATION ECR 0035519	GS	3/5/13									
NO	REVISION	BY & DATE	CHK LANG	±1/2°	FINISH GENERAL PURPOSE							
THIRD ANGLE PROJECTION		RFP		PREV	NETWORK FILE NAME	028803	SIZE	B	DRAWING NO	028803	PAGE	01



ELECTRIC MOTORS
 GEARMOTORS
 AND DRIVES

DRAWN KMM 10/04/07
 CHK
 APPR

SCALE 3:8
 REF 028589

FMF