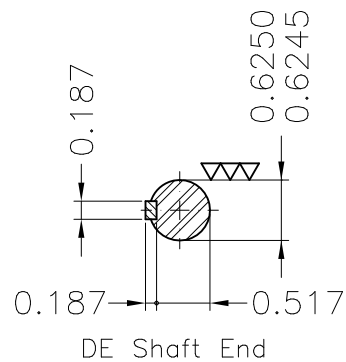
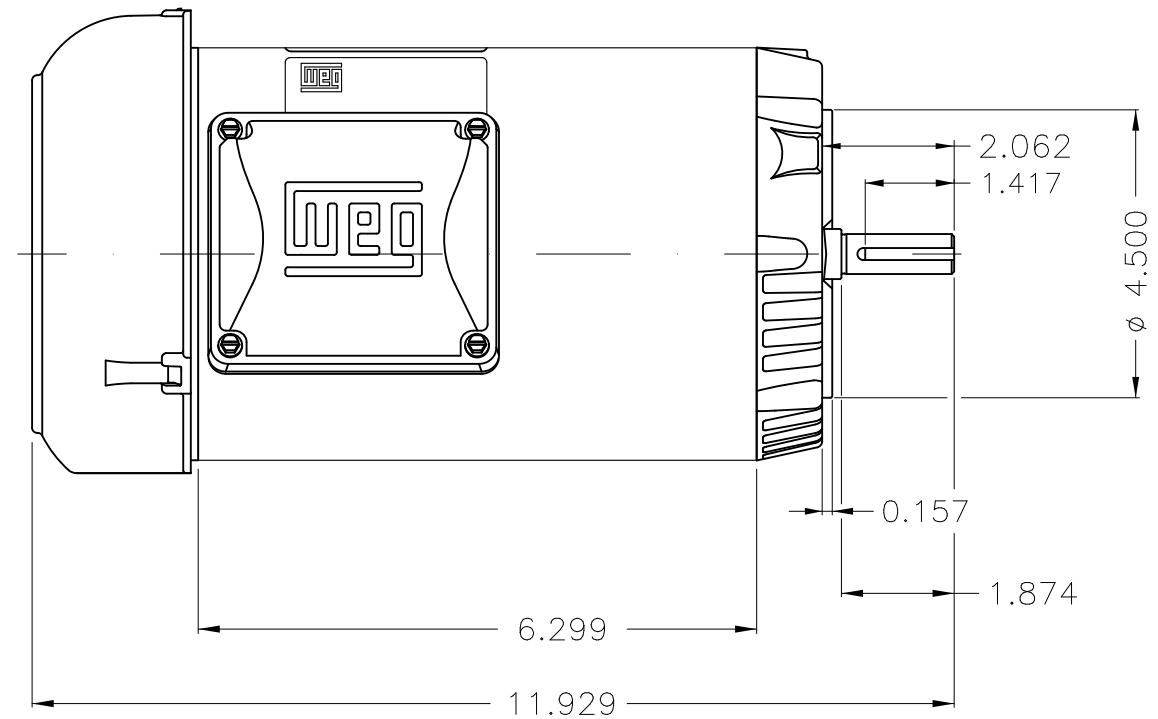
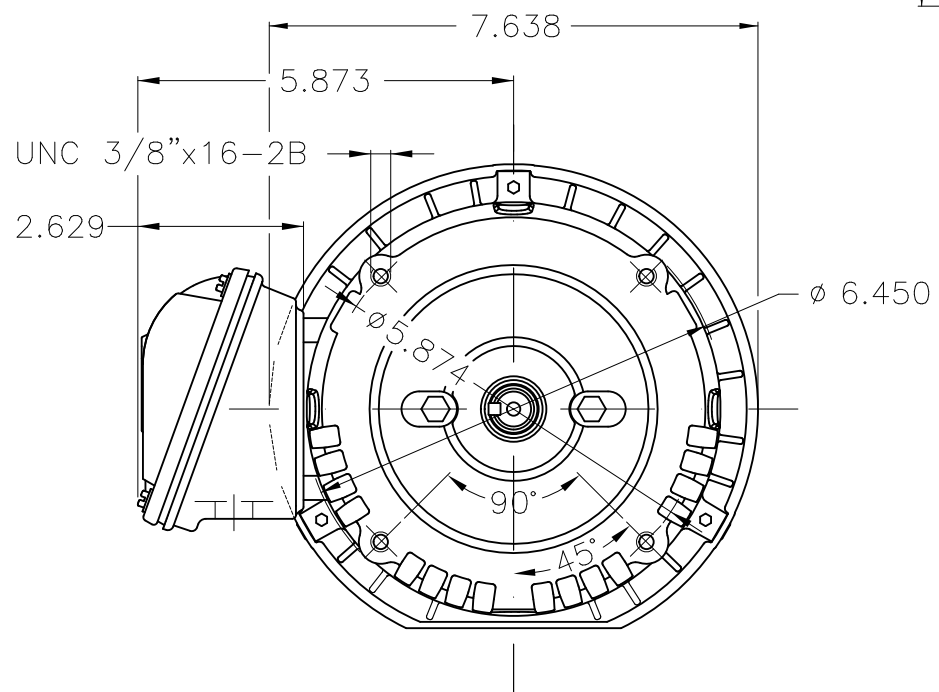
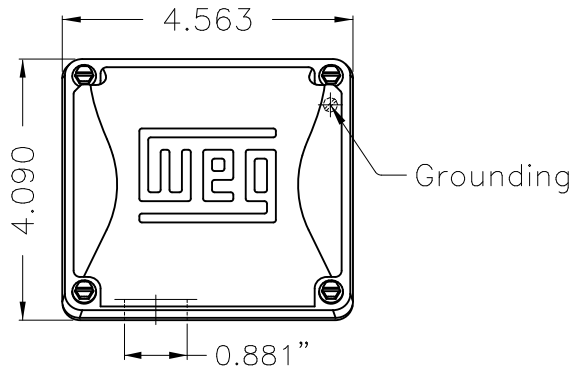


1 2

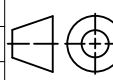

Dimensões em polegada
Dimensions in inches

5 6

THIS IS AN UPDATED REVISION, THE
PREVIOUS ONE MUST BE DISREGARDED.



Color Munsell N 1 matte black
Painting plan 207N
Mounting F-1/B14R(D)

ECM	LOC	SUMMARY OF MODIFICATIONS	EXECUTED	CHECKED	RELEASED	DATE	VER	
EXECUTED	USERADMIN	 THREE PHASE MOTOR TEFC ROLLED STEEL FRAME 56C IP55 TEFC WEG code: 12894831						
CHECKED								
RELEASED								
REL DT	24.07.2017	WMO Jaragua do Sul	Product Engineering	SHEET	1 / 1			

0.75 HP 04 Poles 60Hz

A