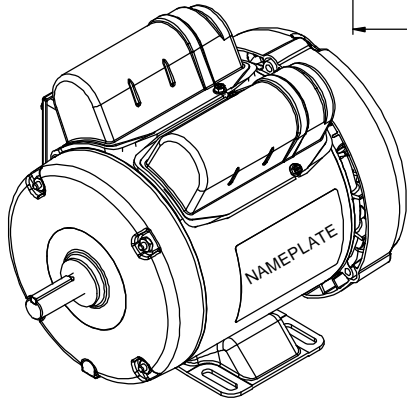
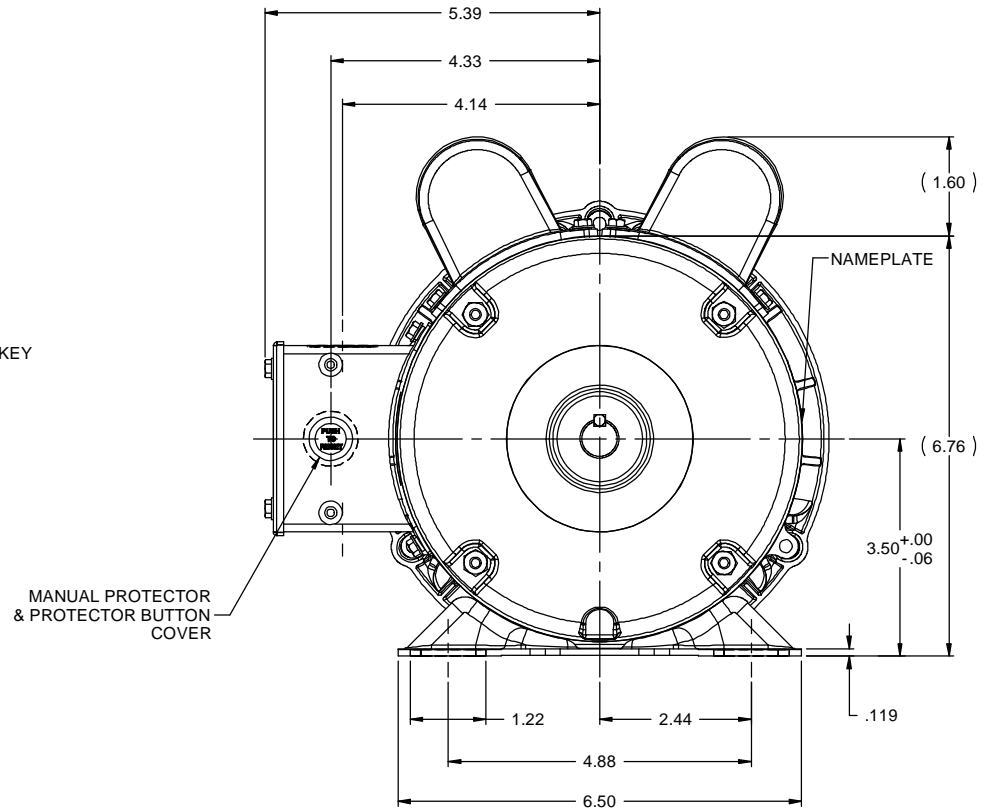
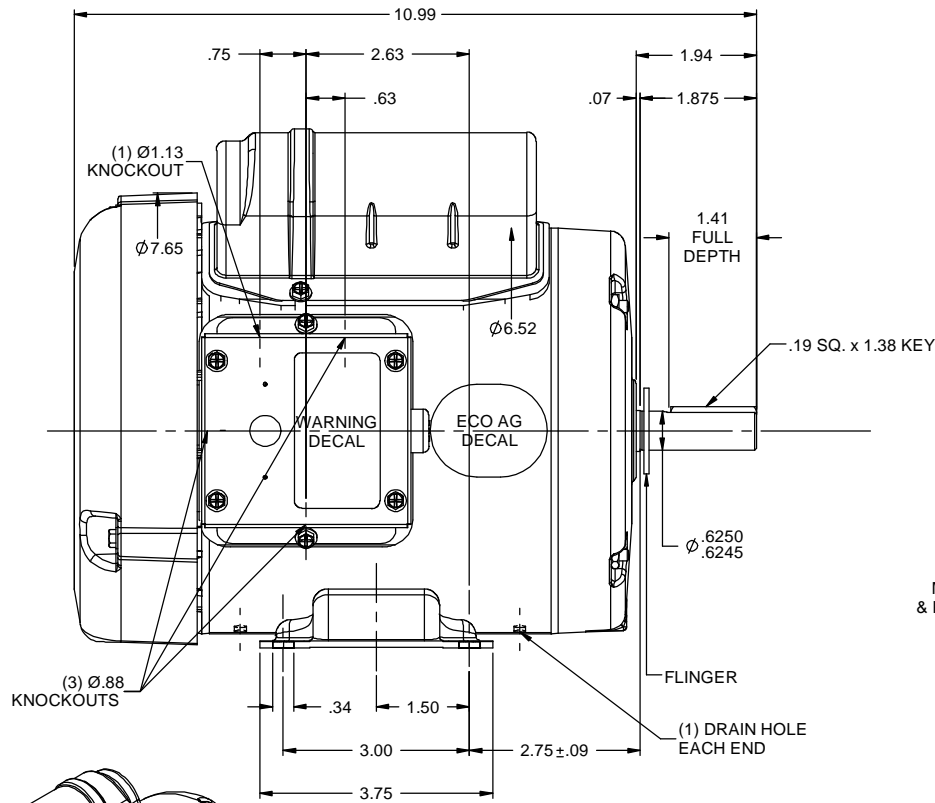



RBC PROPRIETARY AND CONFIDENTIAL INFORMATION
 This document is the property of REGAL BELOIT CORPORATION ("RBC") including its subsidiaries and divisions and contains proprietary information of RBC. This document is loaned on the express condition that neither it nor the information contained therein shall be disclosed to others without the express written consent of RBC, and that the information shall be used by the recipient only as approved expressly by RBC. This document shall be returned to RBC upon its request. This document may be subject to certain restrictions under U.S. export control laws and regulations.



- NOTES:
 1) MANUAL OVERLOAD PROTECTOR.
 2) FLINGER ON SHAFT.
 3) GASKETS THROUGHOUT.
 4) DRAIN HOLE IN FRAME (BOTH ENDS).

TOLERANCES UNLESS SPECIFIED				 ELECTRIC MOTORS GEARMOTORS AND DRIVES	DRAWN
DEC	INCHES				JD 10/31/11
X	±.1			CHK	
XX	±.03		TITLE	APPR	
XXX	±.005		OUTLINE - 56 FRAME	SCALE	1:2
01	ECO AG DECAL WAS EFF DECAL ISAAC 11-5566	GS 2/7/12	TEFC - RIGID	REF	028809
			MATL	FMF	117689.00
			FINISH	PAGE	OF
			±1/2°		
REVISION			BY & DATE	CHK	ANG
THIRD ANGLE PROJECTION				RFP	PREV
				SIZE	DRAWING NO
			NETWORK FILE NAME	OL117689	REV
				B	OL117689
					01