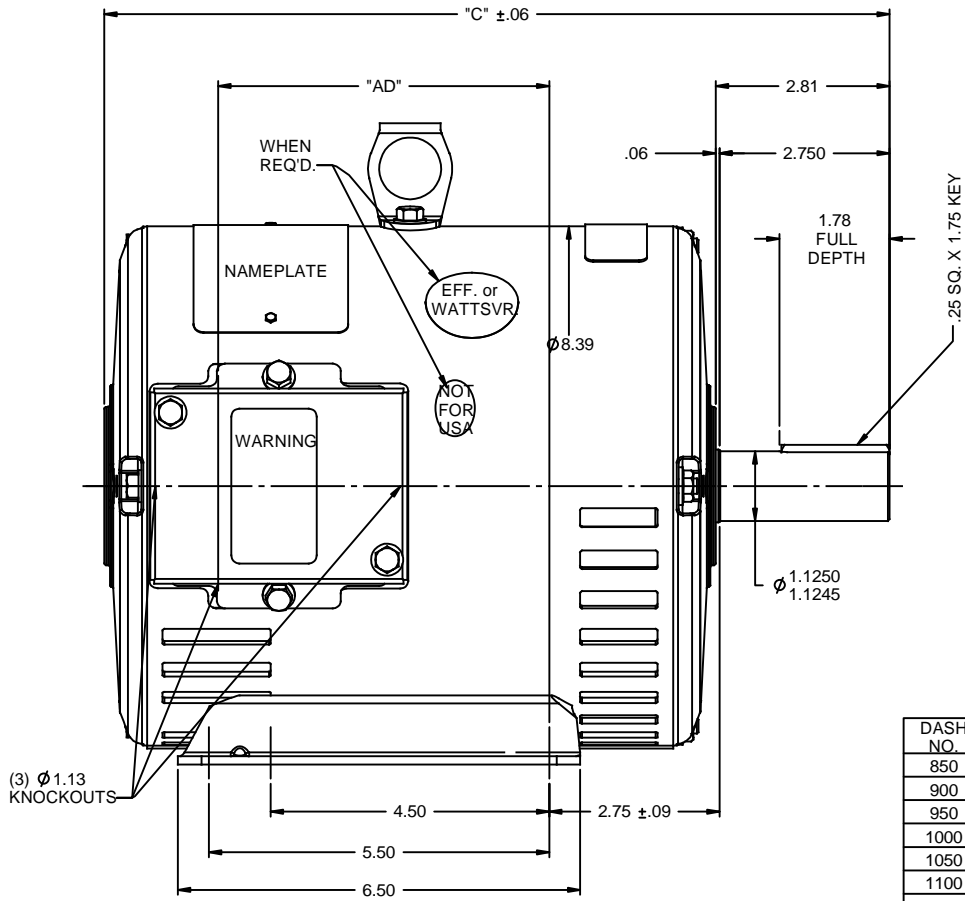
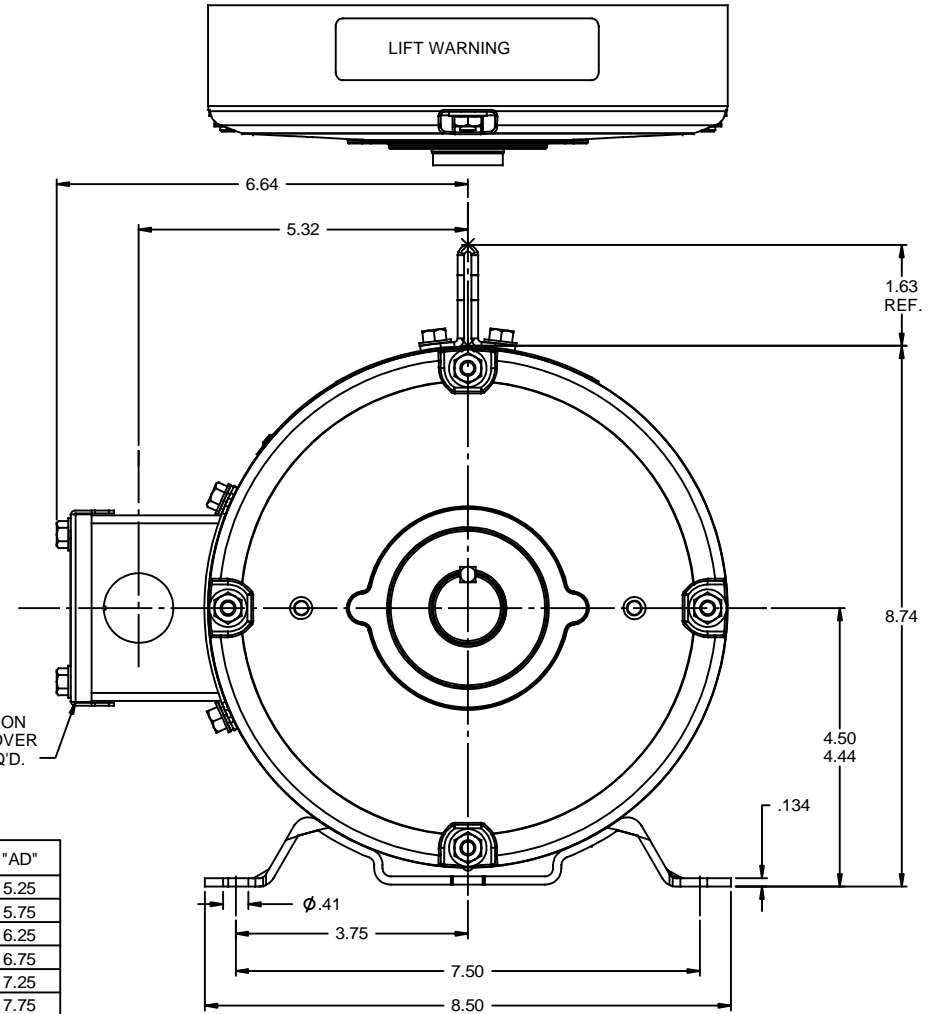


RBC PROPRIETARY AND CONFIDENTIAL INFORMATION
 This document is the property of REGAL BELOIT CORPORATION ("RBC") including its subsidiaries and divisions and contains proprietary information of RBC. This document is loaned on the express condition that neither it nor the information contained therein shall be disclosed to others without the express written consent of RBC, and that the information shall be used by the recipient only as approved expressly by RBC. This document shall be returned to RBC upon its request. This document may be subject to certain restrictions under U.S. export control laws and regulations.



DASH NO.	"C"	"AD"
850	12.69	5.25
900	13.19	5.75
950	13.69	6.25
1000	14.19	6.75
1050	14.69	7.25
1100	15.19	7.75
1150	15.69	8.25
1200	16.19	8.75



GASKETS THROUGHOUT

		TOLERANCES UNLESS SPECIFIED		DRAWN MGM 2/21/03	
		DEC	INCHES	CHK	
		x	±.1	APPR	RDW 2/21/03
		.xx	±.03	TITLE OUTLINE - 180T FRAME	
		.xxx	±.005	REF 035455	
- UPDATED & REDRAWN IN SOLIDWORKS		LST 12/23/2009	XX .xxxX ±.0005	MATL GENERAL PURPOSE	
NO REVISION		BY & DATE	CHK ANG ±1/2°	FINISH	
THIRD ANGLE PROJECTION		RFP	PREV	SIZE	DRAWING NO
		NETWORK FILE NAME		B	035464
				PAGE	OF
				REV	-