

Product Information Packet

January 12, 2017

Data shown is for the current revision model #. Ensure your nameplate model # matches.

| | |
|----------------------------|----------------------|
| Model Number: | 5KS444CAG308A |
| Catalog Number: | E9300 |
| Instruction Manual: | GEI-56128 |
| Connection Diagram: | GEM2034E-FIG7 |
| Outline Drawing: | 225B6200AC |

| Accessory Connection Diagrams | | | |
|-------------------------------|----------|------------------------------|------|
| Bearing Thermocouple: | None | Heater: | None |
| RTD: | None | Thermistor: | None |
| Thermostat: | 3027JE-2 | Winding Thermocouple: | None |
| Bearing RTD: | None | | |

| Table of Contents | |
|-----------------------------|----|
| Specification | 01 |
| Performance Characteristics | 02 |
| Outline Drawing | 03 |
| Connection Drawing(s) | 04 |

Marks:

| | | | |
|----------------------------|----------------------|-------------------------------|----------|
| MODEL NUMBER: | 5KS444CAG308A | Estimated Weight: | 1990 Lbs |
| Outline Drawing: | 225B6200AC | Time Rating: | CONT |
| Connection Diagram: | GEM2034E-FIG7 | Enclosure: | TEFC |
| Instruction Book: | GEI-56128 | Encl Construction: | XP |
| Design Code: | 44ED3007A | Ambient Max(°C): | 40 |
| Type: | KS | Alt Ambient Max(°C): | XX |
| Frame: | 444T | Insulation Class: | F |
| Phases: | 3 | NEMA Design: | B |
| Poles: | 6 | Nominal Efficiency: | 95.0 % |
| Output Power: | 100HP 74KW | Guaranteed Efficiency: | 94.1 |
| RPM: | 1190 | 3/4 Load Efficiency: | 95.2 |
| Voltage: | 460 | KVA Code: | G |
| Hertz: | 60 | Max KVAR: | 26.6 |
| Amps - FL: | 115.0 | Power Factor: | 86.0 |
| Service Factor: | 1.0 | Bearing - DE: | 6318ZC3 |
| Alt Service Factor: | XX | Bearing - ODE: | 6318ZC3 |

Enclosure is Totally Enclosed Fan-Cooled

Stamped Nameplate Notes:

EXPLOSION PROOF MOTOR
TEMP CODE T3C
THERMOSTAT LEADS TB1-TB2:TRIP

Additional Information:

STAMP NP235A3574 AS FOLLOWS:
CL I GR C&D CL II GR F&G
6 POLE, T SHAFT EXTN
(3)NC THERMOSTAT LEADS TO MAIN CONDUIT BOX
920 Cu. In. CBOX

Performance Characteristics

1st Winding 1st Connection

Design: 44ED3007A

Marks:

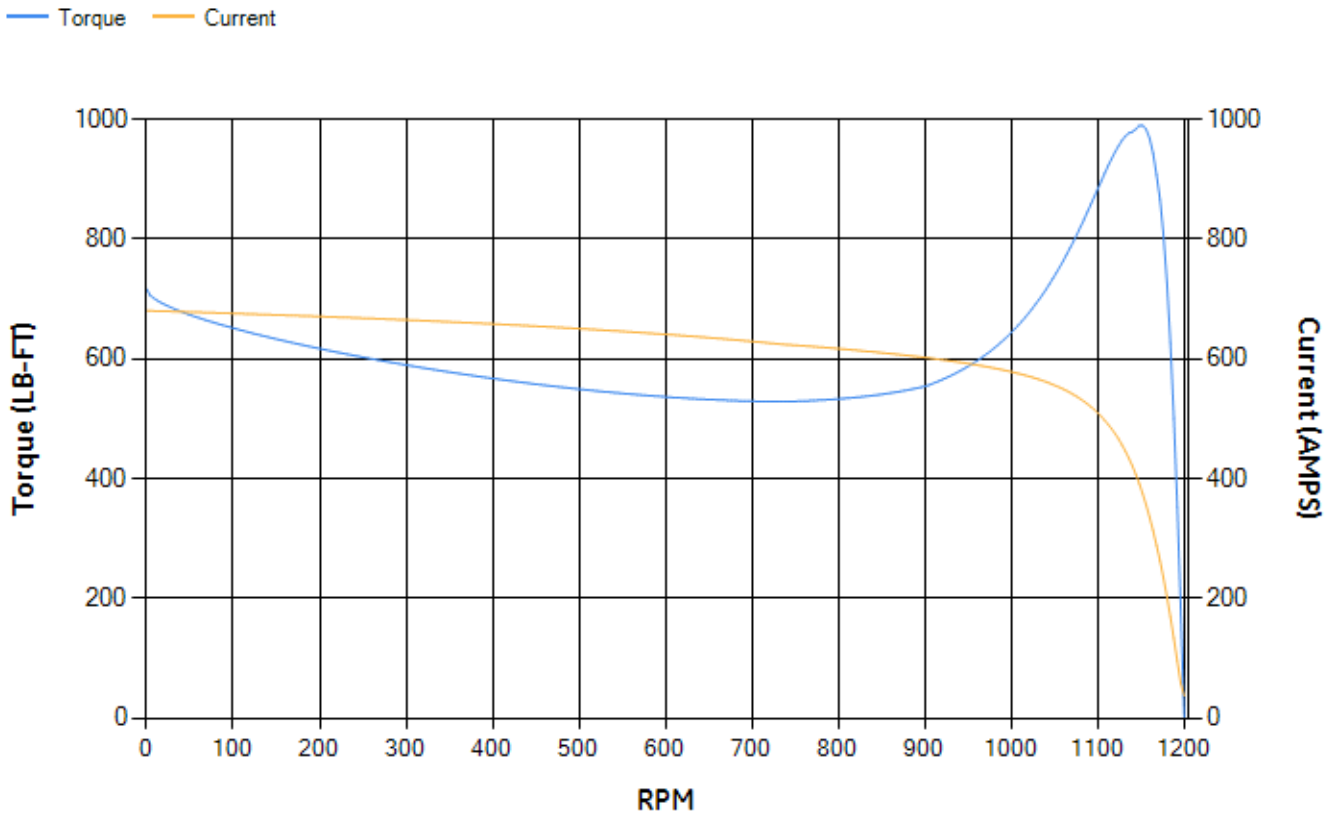
| LOAD % | 125.0 | 115.0 | 100.0 | 75.0 | 50.0 | 25.0 | 0.0 |
|--------|--------|--------|--------|-------|-------|-------|-------|
| % EFF | 94.47 | 94.71 | 95.2 | 95.23 | 94.84 | 92.28 | 0.00 |
| % PF | 86.98 | 86.85 | 86.21 | 83.35 | 75.71 | 54.77 | 4.55 |
| AMPS | 142.37 | 130.85 | 114.04 | 88.44 | 65.17 | 46.29 | 37.03 |

| | | | | | |
|--------------------|--------|--------------------|-------|--------------------|--------|
| TORQ(FL)#FT | 441.33 | TORQ(LR)%FL | 162.3 | TORQ(BD)%FL | 221.48 |
| AMPS(LR) | 680.43 | PF AT START | 0.3 | | |

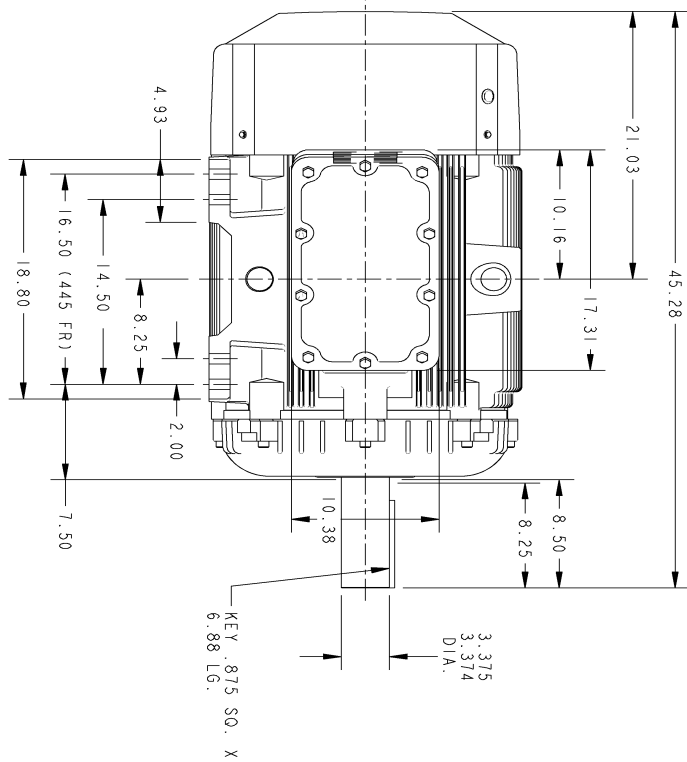
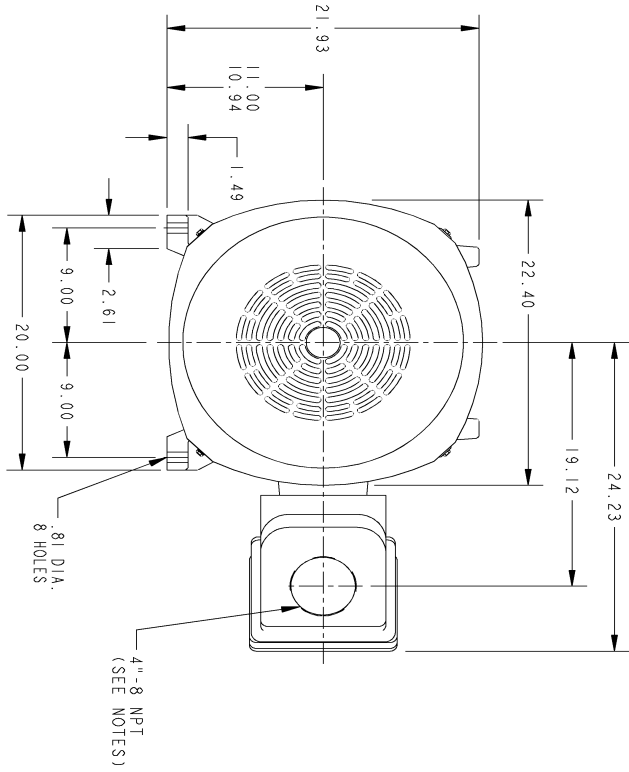
This motor is capable of two cold or one hot start with a maximum connected load inertia of 8408 Lb-Ft Sq (353.98 Kg-meter Sq)at 100% voltage, where the load torque varies with the square of the speed. Acceleration time with maximum inertia and the above load type is 71 seconds. Safe stall time at 100% voltage is 158 seconds cold, 100 seconds hot. Rotor inertia is 83.36 Lb-Ft Sq (3.51 Kg-meter Sq).

| | | | |
|---------------------------|-------|---------------------------|-------|
| Open Circuit A-C: | 0.93 | Short Circuit D-C: | 0.025 |
| Short Circuit A-C: | 0.047 | X/R Ratio: | 9.55 |
| Stator Slots: | 72 | Rotor Slots: | 58 |

Speed Torque Current Curve (First Connection, First Speed)



Marks:



- NOTES:
- CONDUIT BOX MAY BE PLACED WITH THE ENTRANCE ON EITHER SIDE OR UP.
 - F-1 ASM AS SHOWN.
 - F-2 ASM-COND. BOX ON OPPOSITE SIDE.

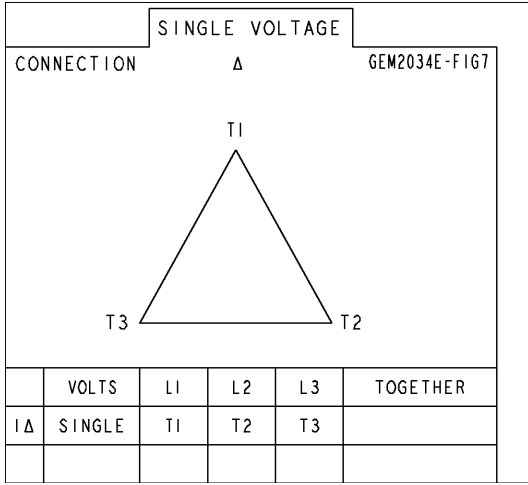
GE PROPRIETARY INFORMATION
 This document is the property of General Electric Company ("GE") and contains proprietary information of GE. This document is issued on the express condition that recipient will not disseminate, copy, reproduce, or otherwise use the information contained herein, shall be stored in any system, or be used for any purpose other than that intended by GE. The information shall be used by the recipient only as expressly permitted by GE. This document shall be returned to GE upon its request and shall be subject to standard restrictions under U.S. export control laws and regulations.

| REVISIONS | | | |
|-----------|---------------------------|----------|----------|
| REV. | DESCRIPTION | DATE | APPROVED |
| 1 | AN 890-114 WSE | 04/06/89 | |
| 2 | REDRAWN ON PROJE UPDATED | 08/21/02 | AB |
| 3 | ISMAC # 15-0592 HAREHARAN | 06/15/15 | KARTHIK |

| UNLESS OTHERWISE SPECIFIED: | | SIGNATURES | | DATE | |
|-----------------------------|-------------------|------------|----------|--|--|
| DIMENSIONS ARE IN INCHES | DRAWN | D.E.M | 02/16/83 | GE Industrial Systems | |
| TOLERANCE ON: | CHECKED | D.E.M | 02/16/83 | GENERAL ELECTRIC COMPANY | |
| 2 PL DECIMALS ± 0.02 | ENGR | | | Fort Wayne, Indiana | |
| 3 PL DECIMALS ± 0.005 | | | | OUTLINE | |
| ANGLES ± 0.5 | ISSUED | D.E.M | 02/17/83 | 444/445 T ⁺ XP (920 CU IN CBOX) | |
| MATERIAL: | APPLIED PRACTICES | | | SIZE DRAWING 225B6200AC | |
| | | | | SCALE: .12 | |
| | | | | SHEET 1 OF 1 | |
| DISTRIBUTION: | | | | | |

Marks:

Connection Diagram
GEM2034E-FIG7



Thermostat Connection
3027JE-2

FIG. 2
THERMOSTAT CONN.

