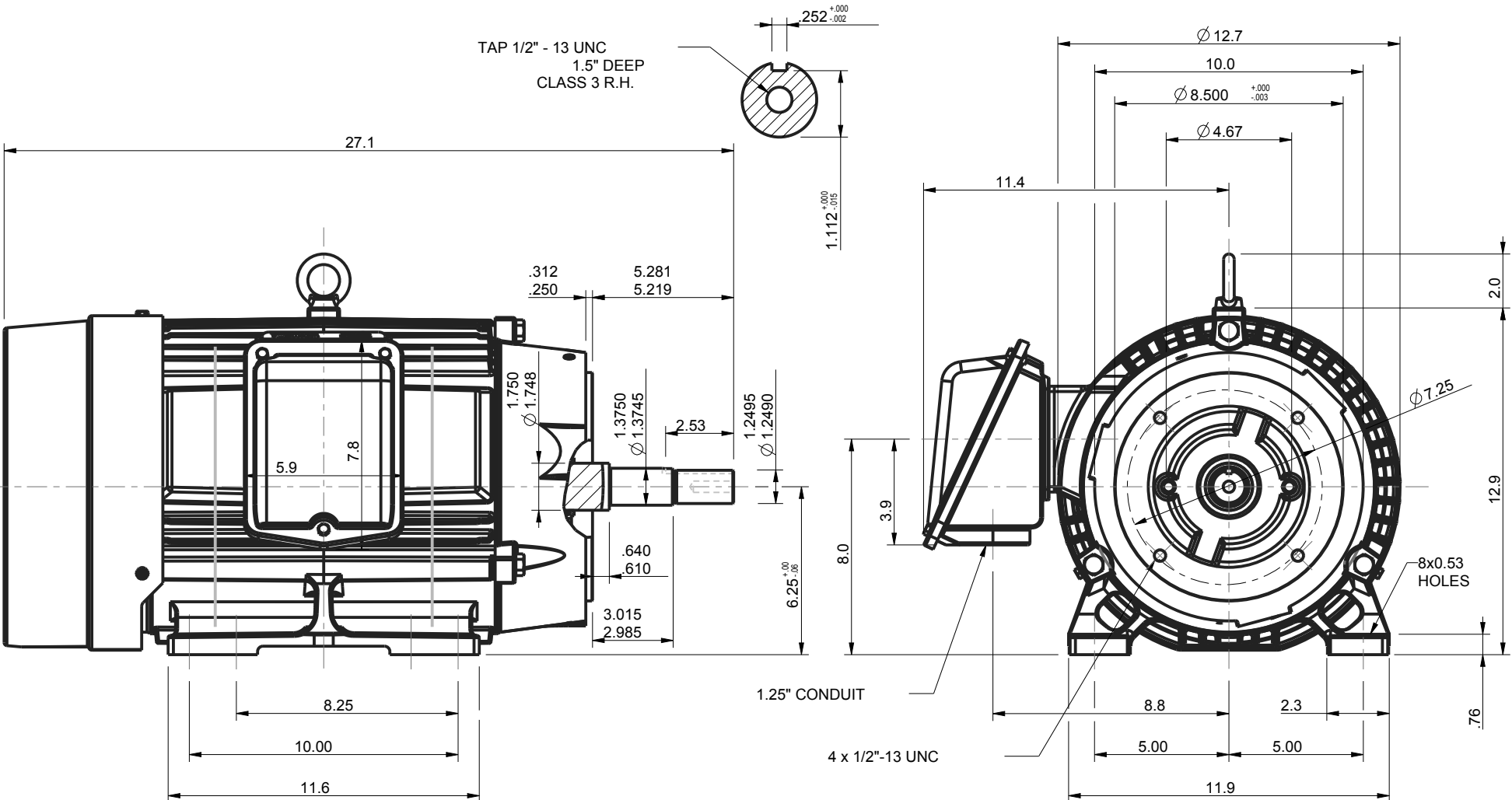


TAP 1/2" - 13 UNC
1.5" DEEP
CLASS 3 R.H.



UNITS: INCHES

ROTATION FROM NDE

CCW
 CW

NOTES:
 1. MAIN CONDUIT BOX MAY BE ROTATED IN 90° INCREMENTS
 2. STANDARD PRODUCT USES BI-DIRECTIONAL FAN. OPPOSITE ROTATION AVAILABLE ONLY BY CONNECTION CHANGE.
 3. KEY DIMENSIONS EQUAL 0.250"x 0.250"x 2.53" (MOTOR SUPPLIED WITH KEY)

TOSHIBA RESERVES THE RIGHT TO MAKE CHANGES OF TECHNICAL IMPROVEMENT AND THE DATA MAY CHANGE WITHOUT NOTICE PRELIMINARY

DO NOT USE FOR CONSTRUCTION, INSTALLATION, OR APPLICATION PURPOSES UNLESS THE DRAWING IS MARKED AS CERTIFIED CERTIFIED

TOSHIBA
 www.toshiba.com/tic
 TOSHIBA INTERNATIONAL CORPORATION

SEVERE DUTY
EQP **SD**

TOTALLY ENCLOSED FAN COOLED
 HORIZONTAL FOOT MOUNTED
 3 PHASE INDUCTION MOTOR
 254JM/256JM F1 ASSEMBLY

DRAWING #: MDSL108-04
 REV. DATE: 05/10/18 REV. #: 4 PER.: M. O'DOWD
 REV. DESCRIP.: UPDATED TITLE BLOCK, NOTES, &
 DIMENSIONS