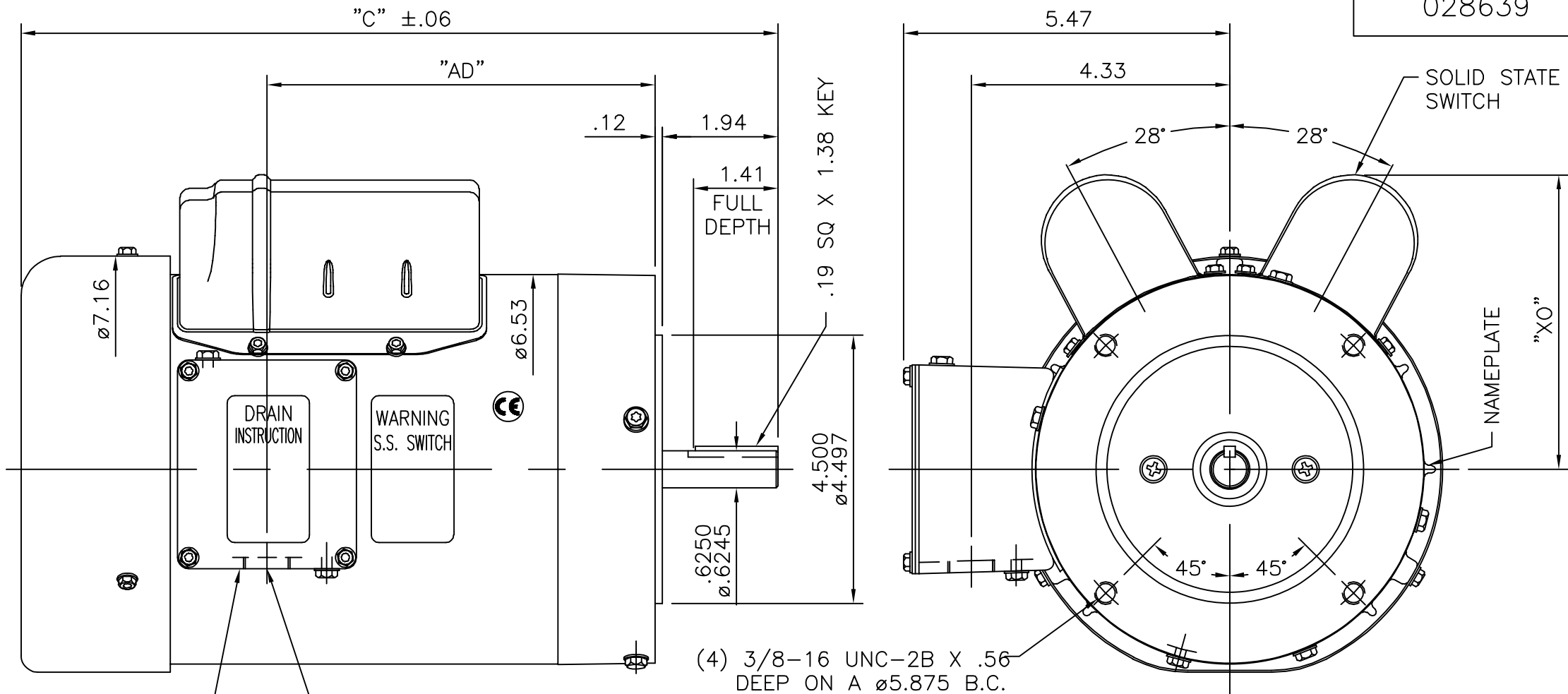


028639



DECAL- CONNECTION UNDER COVER (WHEN REQ'D)  
 (1) 1/2"-14 NPT (PLUGGED)

(4) 3/8-16 UNC-2B X .56 DEEP ON A ø5.875 B.C.

SPECIAL FEATURES:

- 1) SHAFT SEALS & V-RING
- 2) DRAIN HOLES IN BOTH ENDBELLS & CONDUIT BOX
- 3) GASKETS THROUGHOUT
- 4) STAINLESS STEEL SHAFT, HARDWARE & NAMEPLATE

DASH NO.	"C"	"AD"
450	10.69	4.50
500	11.19	5.00
550	11.69	5.50
600	12.19	6.00
650	12.69	6.50
700	13.19	7.00
750	13.69	7.50

CAP. DASH	"XO"
A	4.33
B	4.78
C	5.00

MAXIMUM FACE RUNOUT .004 T.I.R.  
 MAXIMUM PILOT ECCENTRICITY .004 T.I.R.  
 PERMISSIBLE SHAFT RUNOUT .002 T.I.R.

		TOLERANCES UNLESS SPECIFIED		MARATHON ELECTRIC		DRAWN LST 10/18/04			
		DEC.	INCHES			CHK	RW 10/19/04		
		.X	±.1			APPD	KH 10/19/04		
		.XX	±.03	TITLE		SCALE	3=8		
02	ADDED CON/BOX DRAIN SCREWS PER ECR-0054718	ARV	3/26/14	SK	.XXX	±.005	REF	034895	
01	ADDED DRAIN SCREWS PER ECR0034519	ARV	3/23/13	SK	.XXXX	±.0005	FMF		
NO.	REVISION	BY & DATE	CHK	ANG	±1/2'	FINISH	PREV		
THIS DRAWING IN DESIGN AND DETAIL IS OUR PROPERTY AND MUST NOT BE USED EXCEPT IN CONNECTION WITH OUR WORK ALL RIGHTS OF DESIGN AND INVENTION ARE RESERVED THIS IS AN ELECTRONICALLY GENERATED DOCUMENT - DO NOT SCALE THIS PRINT				RFP	CAD FILE	028639	SIZE	DRAWING NO.	REV.
				DIST			A	028639	02