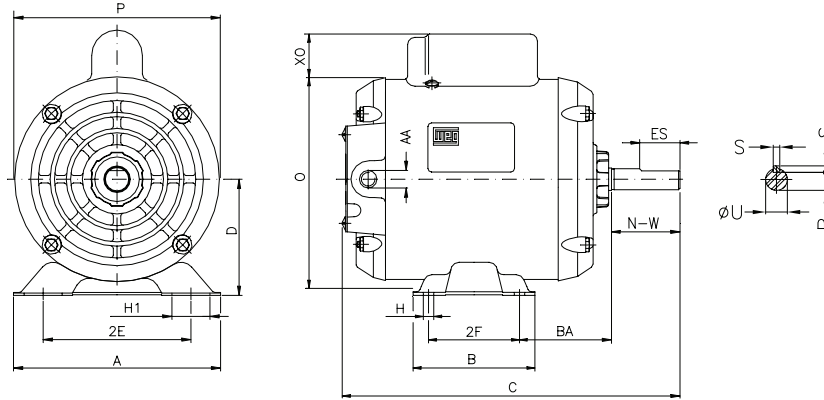


NEMA 48 & 56 Frame Single Phase Motors

ODP - Mechanical Data



NEMA FRAMES	MOUNTING			A	B	C	D	O	P	XO	KEYWAY			SHAFT EXTENSION		BEARINGS	
	2E	2F	BA								S	R	ES	N-W	U	D.E.	N.D.E.
B48	4.236	2.748	2.500	6.141	3.543	9.409	3.000	5.905	5.748	1.516	*	*	*	1.500	0.5000	6203-ZZ	6202-ZZ
C48						10.197											
56	4.875	3.000	2.750	6.535	4.015	9.764	3.500	6.772	6.535	1.516	0.187	0.517	1.102	1.874	0.6250	6204-ZZ	6203-ZZ
C56						10.551											
A56						10.315											
B56						11.102											
D56						12.283											
F56H						13.464											
G56H	5.000**	6.496	13.858														

* The shaft of NEMA 48 frame motors shows a flat Chanfer with 0.291" of width instead of the keyway.
 ** NEMA 56H is provided with a double holed base - DIMENSION B: 3" AND 5".

NEMA FRAMES	"C" FLANGE DIMENSIONS						
	AJ	AK	BD	BF		BB	AH
				NUMBER	TAP SIZE		
B48	3.748	3.000	5.629	4	UNC0.25"	0.157	1.689
C48							
56	5.874	4.500	6.496	4	UNC3/8"	0.157	2.063
C56							
A56							
B56							
D56							
F56H							
G56H							

