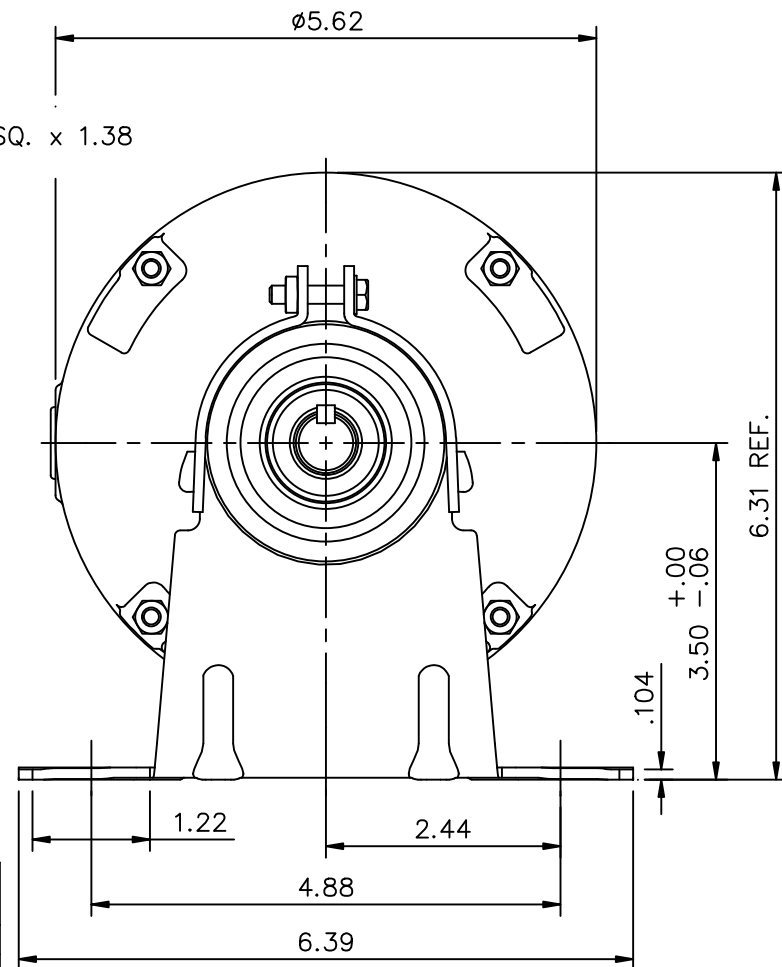
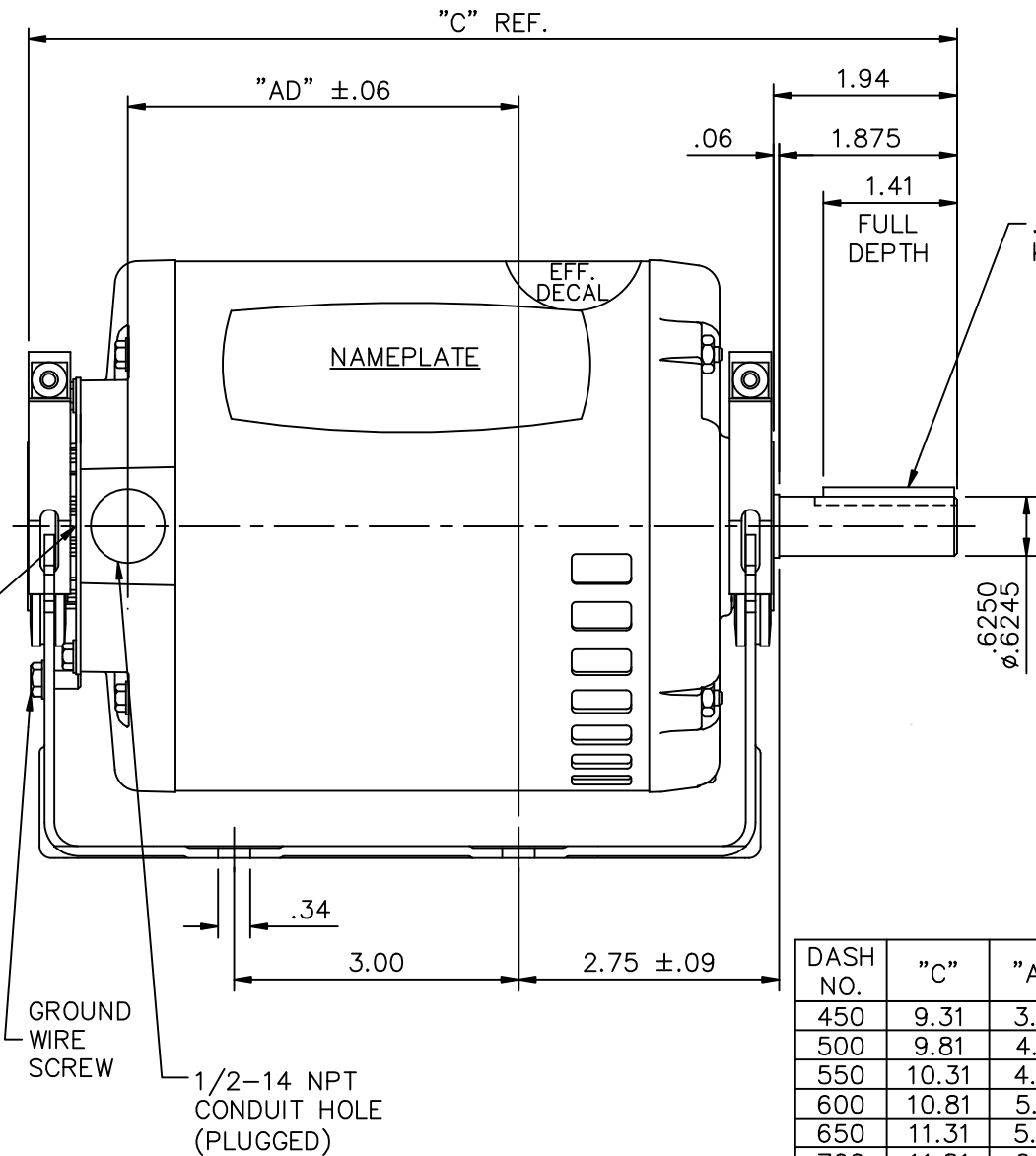


CONNECTION DECAL INSIDE COVER WHEN REQ'D  
WARNING DECAL ON OUTSIDE OF COVER



DASH NO.	"C"	"AD"
450	9.31	3.62
500	9.81	4.12
550	10.31	4.62
600	10.81	5.12
650	11.31	5.62
700	11.81	6.12

TOLERANCES UNLESS SPECIFIED

DEC. INCHES

.X ±.1

.XX ±.03

.XXX ±.005

.XXXX ±.0005

CHK ANG ±1/2°



ELECTRIC MOTORS  
GEARMOTORS  
AND DRIVES

TITLE  
OUTLINE - S56 FRAME  
RESILIENT MOUNT - DRIP PROOF

MAT'L. 3 PHASE

FINISH

DRAWN PG 02/18/05

CHK

APPD PG 02/18/05

SCALE 1=2

REF 030485

FMF 101773.00

PREV

NO.	REVISION	BY & DATE
02	ADDED DECAL NOTES PER ASSEMBLY	GWS 8/19/11
01	ADDED NOTE FOR GROUND WIRE SCREW	ARV 1/21/08

THIS DRAWING IN DESIGN AND DETAIL IS OUR PROPERTY AND MUST NOT BE USED EXCEPT IN CONNECTION WITH OUR WORK ALL RIGHTS OF DESIGN AND INVENTION ARE RESERVED THIS IS AN ELECTRONICALLY GENERATED DOCUMENT - DO NOT SCALE THIS PRINT

RFP

CAD FILE 031807

SIZE DRAWING NO.

A 031807

REV.

02