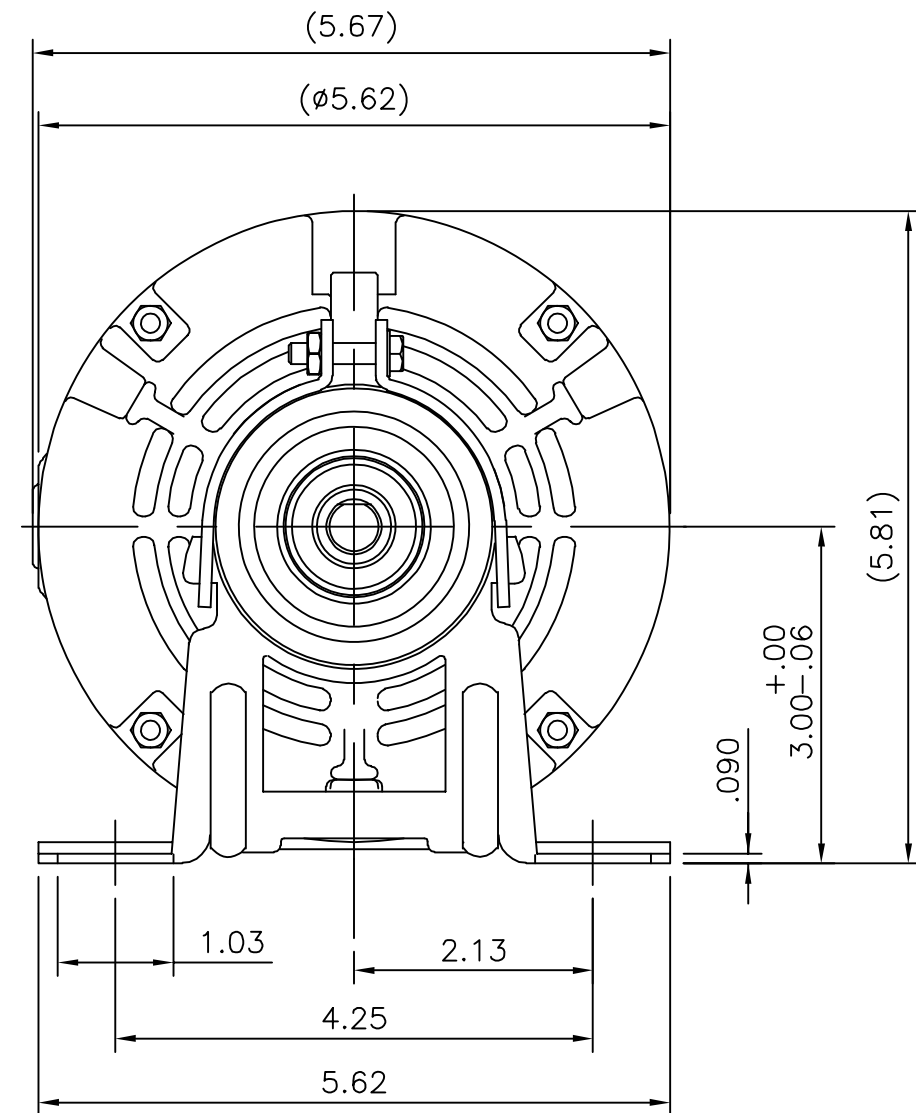
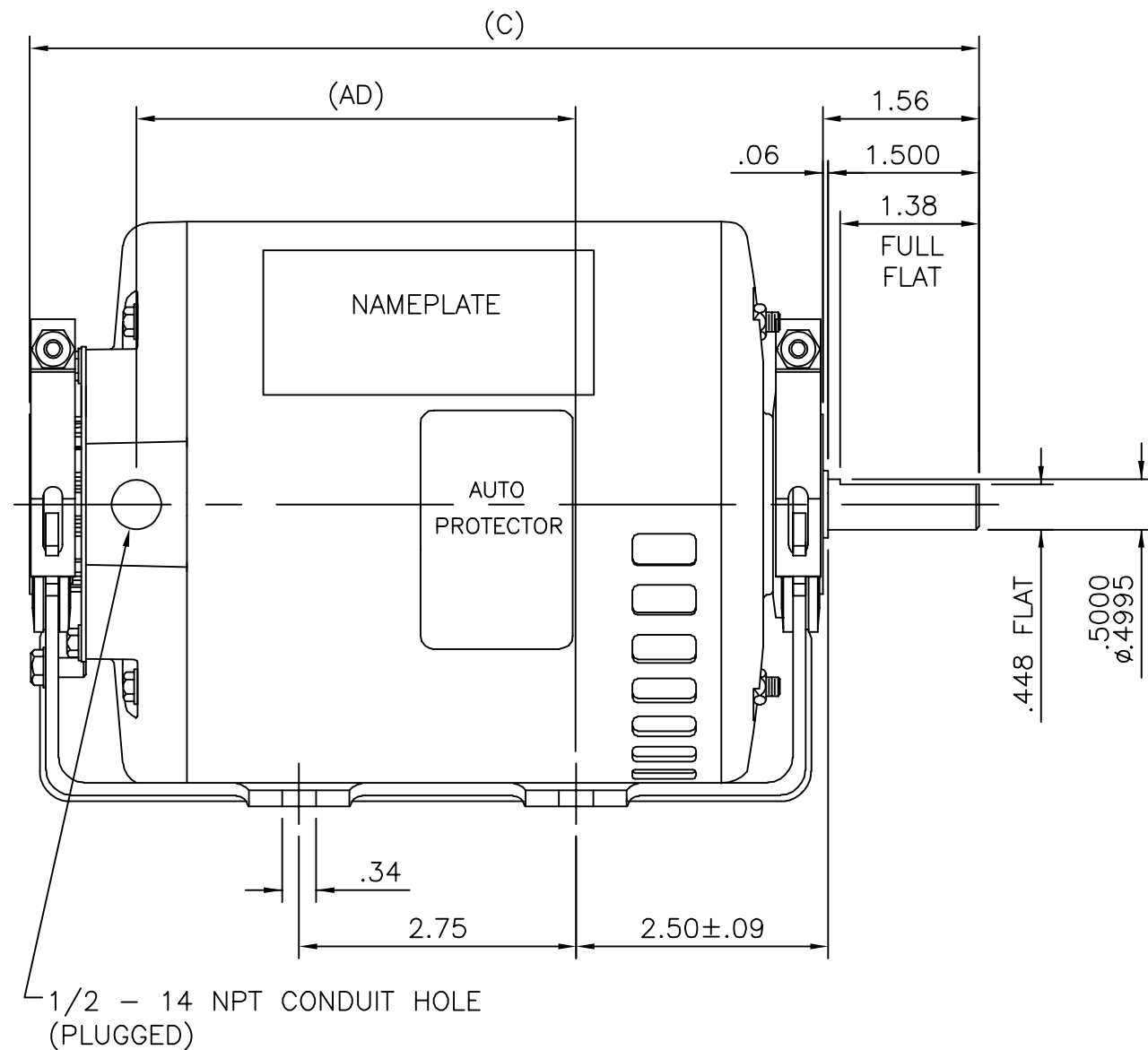


SS404083



DASH	C	AD
500	9.43	4.36
550	9.93	4.86
575	10.18	5.11
600	10.43	5.36

NO.			REVISION		BY & DATE		CHK		TOLERANCES UNLESS SPECIFIED		LEESON ELECTRIC MOTORS GEARMOTORS AND DRIVES		DRAWN PST 06/11/2014	
									DEC. INCHES		ELECTRIC MOTORS GEARMOTORS AND DRIVES		CHK VS 06/11/2014	
									.X ±.1		TITLE OUTLINE - 48 FRAME RESILIENT MOUNT - DRIP PROOF MAT'L. 1 PHASE FINISH		APPD	
									.XX ±.03				SCALE 1:1	
									.XXX ±.005				REF SS404043	
									.XXXX ±.0005				FMF	
									ANG ±1/2'		SIZE A		DRAWING NO. SS404083	
									RFP		CAD FILE SS404083		REV.	
									DIST					

THIS DRAWING IN DESIGN AND DETAIL IS OUR PROPERTY AND MUST NOT BE USED EXCEPT IN CONNECTION WITH OUR WORK ALL RIGHTS OF DESIGN AND INVENTION ARE RESERVED THIS IS AN ELECTRONICALLY GENERATED DOCUMENT - DO NOT SCALE THIS PRINT